

ARCHITECTURAL ACCENTS

Put the
Hanover
accent on
your home

Hanover Lantern
offers a collection
of handcrafted
mailboxes
and signs



Hanover[®]
LANTERN, inc.
Handcrafted in the USA



M144S

Our best selling Pine Valley style mailbox features sturdy cast aluminum construction with the largest capacity mailbox we offer. Shown here in Antique Brass.

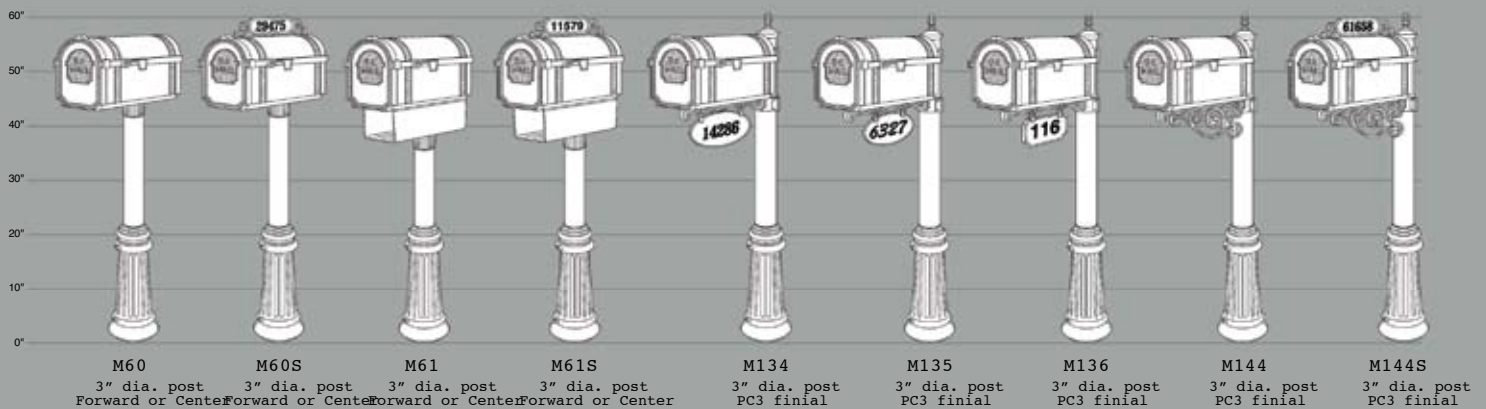


M60S Centered in Antique Silver with optional wrap base #142-3



M61 Forward in Antique Red

Pine Valley



2 Each mailbox Model No. is manufactured and shipped with all hardware as shown in each illustration. Most models can be outfitted with a different post, wrap base or finial. See page 8 for selections. All finishes available - see back cover for selection.



M143 in Forest Green



M80S in Granite with optional finial PC28 and optional Security Box #285 (inset)



M141

Pine Valley mailboxes are offered in eighteen standard configurations with many options available including posts, wrap bases, accent finials and security box. Photographed here in Verde Copper with an optional flat fluted post and optional PC17-4 finial.

Pine Valley



Each mailbox Model No. is manufactured and shipped with all hardware as shown in each illustration. Most models can be outfitted with a different post, wrap base or finial. See page 8 for selections. All finishes available - see back cover for selection.



M97S

Our new Muirfield Village mailbox line offers unique styling and rugged cast aluminum construction. Photographed in ~~Viper~~ Copper with an optional flat flute post.

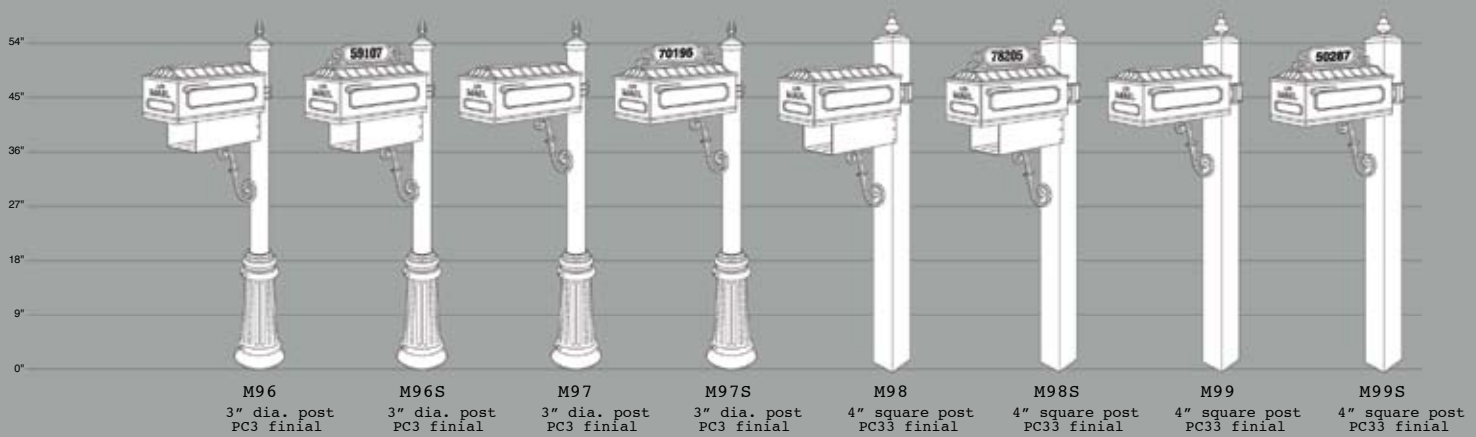


M99S in Black Cherry



M96S in Weathered Bronze with optional wrap base #142-3 and optional finial #PC17-3

Muirfield Village



4 Each mailbox Model No. is manufactured and shipped with all hardware as shown in each illustration. Most models can be outfitted with a different post, wrap base or finial. See page 8 for selections. All finishes available - see back cover for selection.



M13 in White



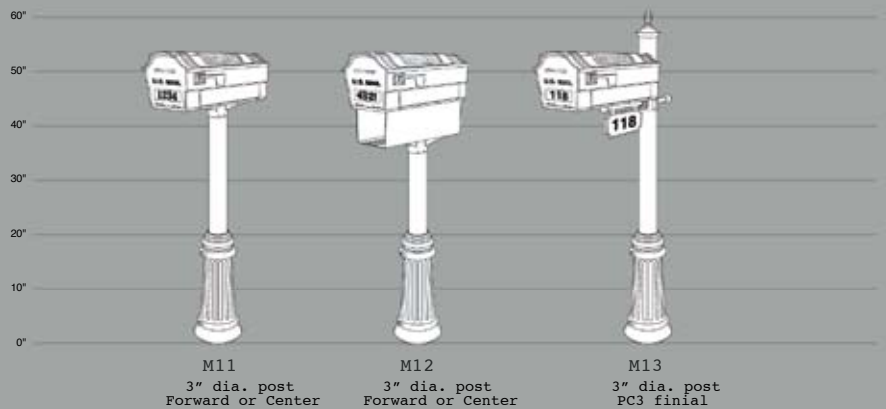
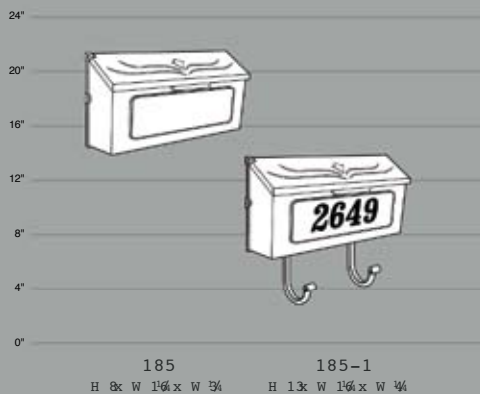
185 in Antique Copper
185-1 in Ironstone



M12 Centered

Our beautifully added original cast aluminum mailbox is handcrafted to last a lifetime. Photographed in Weathered Bronze with optional wrap base #142-3

Cypress Point



Each mailbox Model No. is manufactured and shipped with all hardware as shown in each illustration. Most models can be outfitted with a different post, wrap base or finial. See page 8 for selections. All finishes available - see back cover for selection.



M111S

Inverness is the newest addition to our mailbox line. Its classic styling combined with durable cast aluminum construction makes it suitable for many applications. Photographed here in Dark Bronze with optional flat flute post.



M119 in Weathered Bronze with optional finial PC13-3



M109S in Antique Silver with front and rear door access.

Inverness #1

	Rear Door				Rear Door				Rear Doors			
50"												
48"												
36"												
24"												
12"												
0"												
Without Top Sign	M108	M109	M110	M111	M112	M113	M114	M115	M118	M119	M120	
	3" dia. post	3" dia. post	3" dia. post	3" dia. post	3" dia. post	3" dia. post	3" dia. post	3" dia. post	3" dia. post	3" dia. post	3" dia. post	
With Top Sign	M108S	M109S	M110S	M111S	M112S	M113S	M114S	M115S	PC3 Finial standard on all Inverness Models except for M108, M108S, M109 and M109S.			
	3" dia. post	3" dia. post	3" dia. post	3" dia. post	3" dia. post	3" dia. post	3" dia. post	3" dia. post				

6 Each mailbox Model No. is manufactured and shipped with all hardware as shown in each illustration. Most models can be outfitted with a different post, wrap base or finial. See page 8 for selections. All finishes available - see back cover for selection.



M121S in Antique Brass



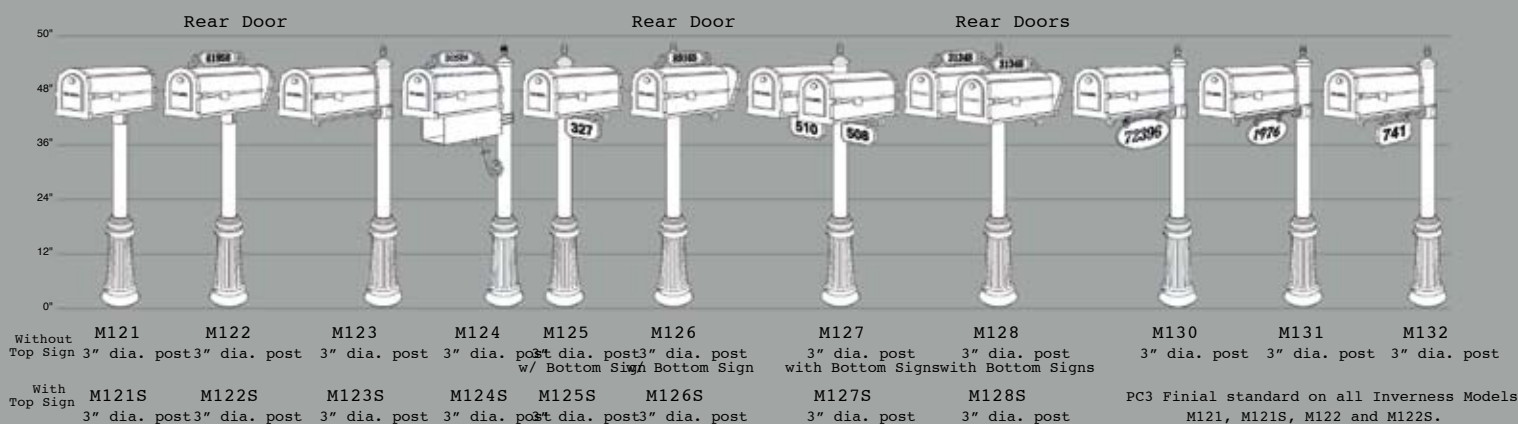
M124 in Black Cherry with optional PC13-3 finial



M132

The new Inverness mailbox line is available with two mail sizes. The larger size box is presented here and is available in all the configurations. Photographed in Black with optional wrap base 142-3 and optional finial PC13-3.

Inverness #1 1/2



Each mailbox Model No. is manufactured and shipped with all hardware as shown in each illustration. Most models can be outfitted with a different post, wrap base or finial. See page 8 for selections. All finishes available - see back cover for selection.

When ordering a standard mailbox configuration with optional post, wrap base or finial, please order in this sequence:

STANDARD
M139

OPT. POST
FLUTED

OPT. WRAP BASE
142-4

OPT. FINIAL
PC17-4

Optional Posts

Multiple Boxes



SMOOTH POST
Available in 3" round and 4" round diameter



FLAT FLUTE POST
Available in 3" round and 4" round diameter



MULTIPLE BOX CONFIGURATIONS
M114 shown - contact factory for information

Optional Wrap Bases



139-3 or 139-4
Available in 3" round and 4" round diameter



142-3 or 142-4
Available in 3" round and 4" round diameter



135-3 or 135-4
Available in 3" round and 4" round diameter

Optional Finials



PC14 3" Diameter PC33 4" Square PC20 3" Dia PC21 4" Dia



PC13-3" Dia PC29 PC3 PC24 3" Dia PC25 4" Dia PC13-4" Dia 4" Sq



PC17-3" Dia PC28 PC16-3" Dia PC26 3" Dia PC27 4" Dia PC17-4" Dia 4" Sq PC16-4" Dia PC27 4" Dia

Wall Signs



224
Antique Silver with White Vinyl Numbers



R223
Architectural Bronze with Gold Cast Numbers



R225
Granite with Gold Cast Numbers

Our single sided Wall Signs are handcrafted cast aluminum signs with raised borders and come complete with pre-drilled holes and mounting hardware for flat surface mounting. Please contact factory for more information on letter size and limitations for multiple line imprints.

0" 3" 6" 9" Model# w/cast 12"	 R222 H 4 x W 17 Overall 3 1/4 x 17 Imprint Area Raised Cast	 R223 H 6 x W 12 Overall 5 x 11 Imprint Area Raised Cast	 R224 H 4 x W 8 Overall 3 1/4 x 7 1/2 Imprint Area Raised Cast	 R226 H 8 1/2 x W 16 Overall 5 3/4 x 16 Imprint Area Raised Cast	 R227/227 H 17 1/2 x W 4 Overall 3 1/4 x 17 Imprint Area Raised Cast or Vinyl Lettering
0" 3" 6" 9" Model# w/vinyl 12"	 222 H 4 x W 17 Overall 3 1/4 x 17 Imprint Area Vinyl Lettering	 223 H 6 x W 12 Overall 5 x 11 Imprint Area Vinyl Lettering	 224 H 4 x W 8 Overall 3 1/4 x 7 1/2 Imprint Area Vinyl Lettering	 226 H 8 1/2 x W 16 Overall 5 3/4 x 16 Imprint Area Vinyl Lettering	 R227/227 H 17 1/2 x W 4 Overall 3 1/4 x 17 Imprint Area Raised Cast or Vinyl Lettering
0" 3" 6" 9" 12"	 R221 H 8 x W 16 Overall 5 x 14 Imprint Area Raised Cast	 221 H 8 x W 16 Overall 5 x 14 Imprint Area Vinyl Lettering	 R225 H 7 1/2 x W 12 Overall 4 1/2 x 10 Imprint Area Raised Cast	 225 H 7 1/2 x W 12 Overall 4 1/2 x 10 Imprint Area Vinyl Lettering	

Lettering Styles

Sign Lettering Raised cast aluminum lettering (R) in Clarendon Extra Condensed (caps only). Commercial grade vinyl lettering is offered in three styles: Helvetica, Brush Script or Clarendon Condensed. Lettering is available in three colors: Black, White or Gold. Please contact the factory for lettering.



Helvetica



Brush Script



Clarendon Extra Condensed

Introducing our new line of beautifully detailed wall signs with intricately textured backgrounds, available in all finishes.



R629



R617



R630



R619



R632



R631



R634



R633

Decorative Address Signs

Wall Signs One piece cast aluminum construction with raised borders and numbers. NUMBERS AVAILABLE IN SIZE AND STYLE SHOWN ONLY. All finishes available, see back page for selection. Predrilled holes and mounting hardware included. **Standard** - borders and numbers painted gold, contact factory for other finishes.

30"				
25"	R629 H 7 x W 12 ³ / ₄ Up to 3 numbers Photographed in Granite	R630 H 7 ³ / ₄ x W 10 Up to 3 numbers Photographed in Black	R632 H 7 ⁵ / ₈ x W 10 Up to 3 numbers Photographed in Ironstone	R634 H 7 x W 10 ⁵ / ₈ Up to 3 numbers Photographed in Verde
20"				
15"				
10"				
5"	R617 H 8 x W 16 ³ / ₄ Up to 5 numbers Photographed in Forest Green	R619 H 8 ³ / ₄ x W 15 Up to 5 numbers Photographed in Rustic Bronze	R631 H 8 ¹ / ₂ x W 15 Up to 5 numbers Photographed in Weathered Bronze	R633 H 7 ¹ / ₂ x W 15 ³ / ₄ Up to 5 numbers Photographed in Antique Brass
0"				

Mailbox signs are offered with numbers only in either raised cast aluminum numbering or in commercial grade vinyl - see Sign Numbering below for available styles and colors.

Mailbox Signs



Small Rectangular Sign
 H 4 x W 8 Overall Maximum 5 numbers 2" high
 For mailbox models: M112, M113, M114, M115, M125, M126, M127, M128. M113 vinyl only



Large Rectangular Sign
 H 6 x W 12 Overall Maximum 5 numbers 3" high
 For mailbox models: M120, M132, M136, M143



Scroll Top Sign
 For all mailbox models with signs
 H 3 x W 10 Overall Maximum 5 numbers 2"
 Available with vinyl numbering



Small Oval Sign
 H 7/8 x W 1 1/2 Overall Maximum 5 numbers 3" high
 For mailbox models: M119, M131, M135, M142



Large Oval Sign
 H 8 x W 1 1/2 Overall Maximum 5 numbers 4" high
 For mailbox models: M130, M134, M141



Vinyl Numbering
 Applied Directly to Mailbox
 For mailbox models: 185, 185-1, M12, M13

Numbering Styles

Sign Numbering: Raised cast aluminum numbers (R) in Clarendon Condensed only.
 Commercial grade vinyl numbering is offered in three styles: Helvetica, Brush Script or Clarendon Condensed.
 Numbering is available in three colors: Black, White or Gold. Please contact the factory for numbering.



Helvetica



Brush Script



Clarendon Condensed

Color Palette



BLK - Black



ALM - Almond



ARB - Architectural Bronze



ABS - Antique Brass



VGN - Verde



ASI - Antique Silver



WBZ - Weathered Bronze



ARD - Antique Red



VBZ - Verde Bronze



FGN - Forest Green



VCP - Verde Copper



WHT - White



BRN - Brown



BCY - Black Cherry



ACP - Antique Copper



RBZ - Rustic Bronze



LBR - Landscape Brown



DBZ - Dark Bronze



SGN - Shadow Green



SRT - Shadow Rust



IRN - Ironstone



VTC - Vintage Copper



GRA - Granite

Hanover Lantern is a Philips group brand

Hanover[®]
LANTERN, inc.
Handcrafted in the USA

350 Kindig Lane, Hanover, PA 17331

Phone: (717) 632-6464

Fax: (717) 632-5039

Email: sales@hanoverlantern.com

Web: www.hanoverlantern.com

© 2008 Philips Group.

All rights reserved. Certain products illustrated in this catalog may be protected by applicable patents and patents pending. Hanover Lantern will aggressively defend all of its intellectual property. We reserve the right to change details of design, materials and finishes.

Publication M9226-0308

Printed in the U.S.A.