

Sitescape®

SITE • ROADWAY • AREA LIGHTING



Hanover®
LANTERN

Handcrafted in the USA

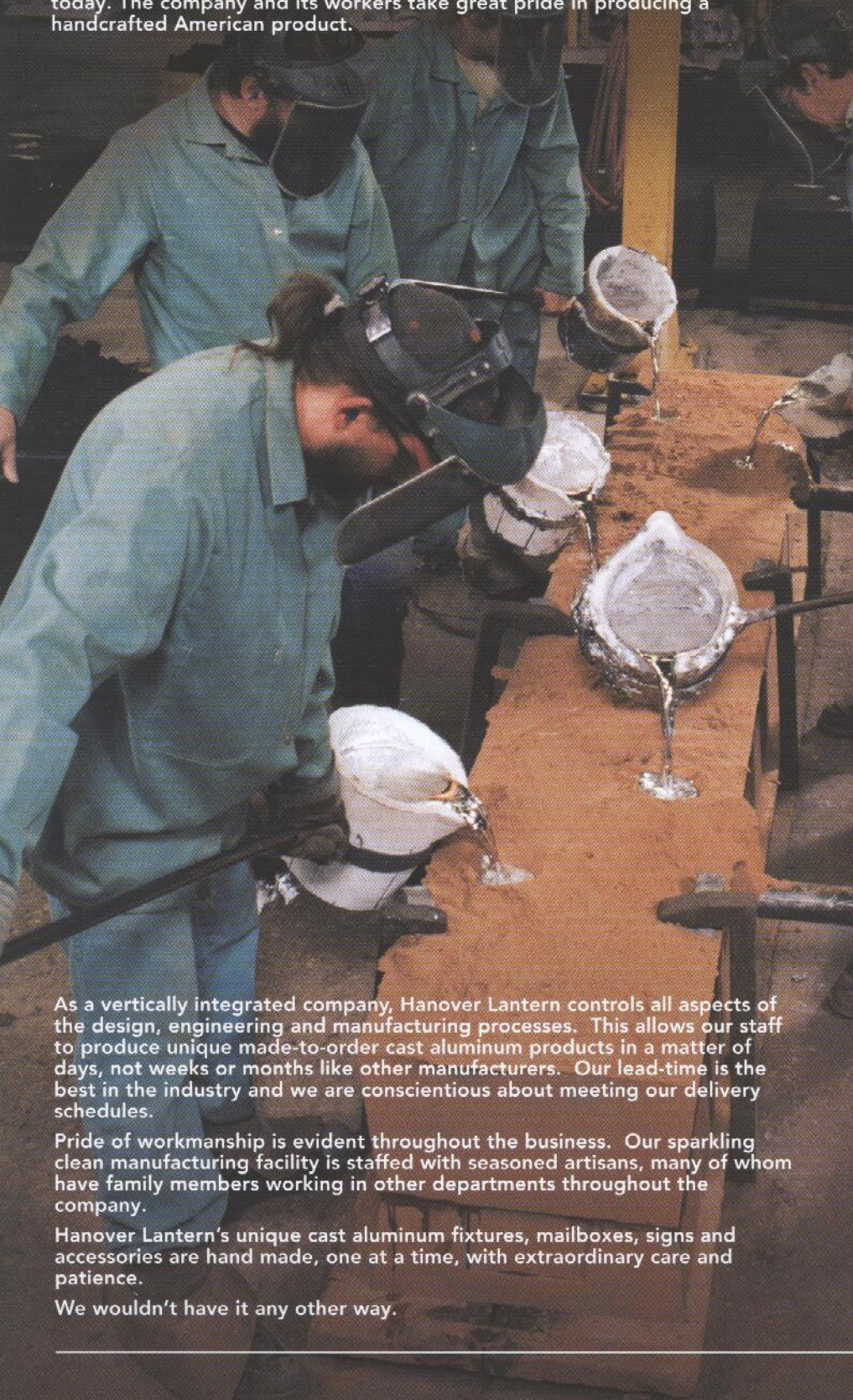
Hanover Lantern is a Philips group brand

PHILIPS

Handcrafted

Nestled among the foothills of the Appalachian Mountains, the town of Hanover, Pennsylvania is home to Hanover Lantern. The area is known for its rich farmland, rolling hills, quaint small towns and quiet, peaceful lifestyle. A prosperous and growing community, Hanover is blessed with a skilled workforce and a heritage of manufacturing innovation and excellence.

Hanover Lantern was founded in 1970 as a family business and remains so today. The company and its workers take great pride in producing a handcrafted American product.

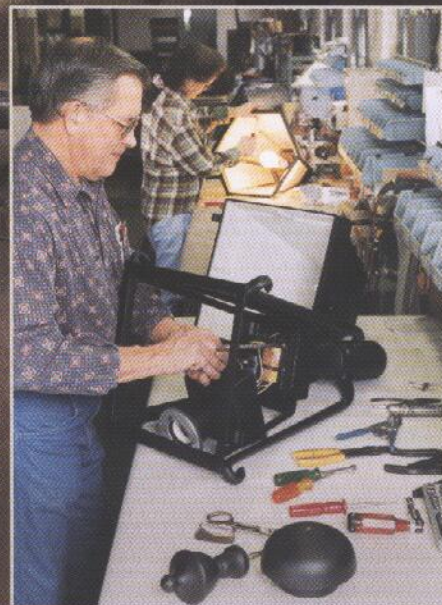


As a vertically integrated company, Hanover Lantern controls all aspects of the design, engineering and manufacturing processes. This allows our staff to produce unique made-to-order cast aluminum products in a matter of days, not weeks or months like other manufacturers. Our lead-time is the best in the industry and we are conscientious about meeting our delivery schedules.

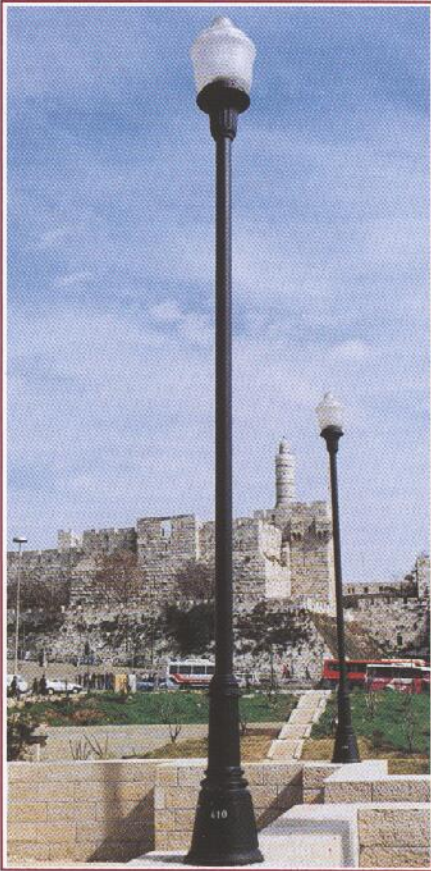
Pride of workmanship is evident throughout the business. Our sparkling clean manufacturing facility is staffed with seasoned artisans, many of whom have family members working in other departments throughout the company.

Hanover Lantern's unique cast aluminum fixtures, mailboxes, signs and accessories are hand made, one at a time, with extraordinary care and patience.

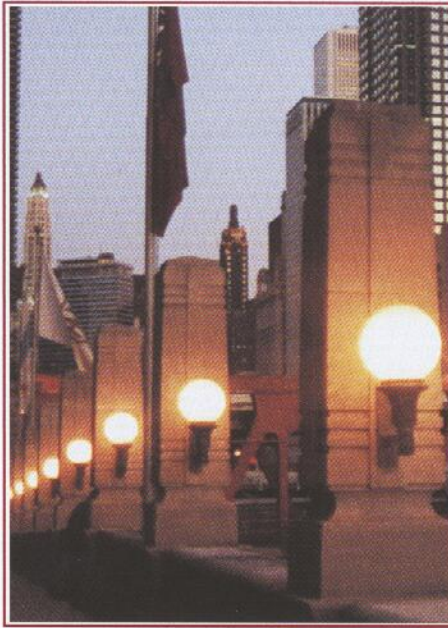
We wouldn't have it any other way.



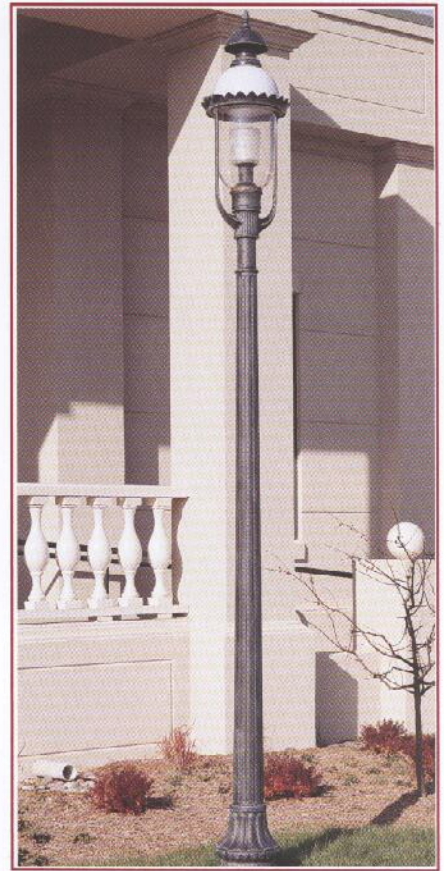
Applications



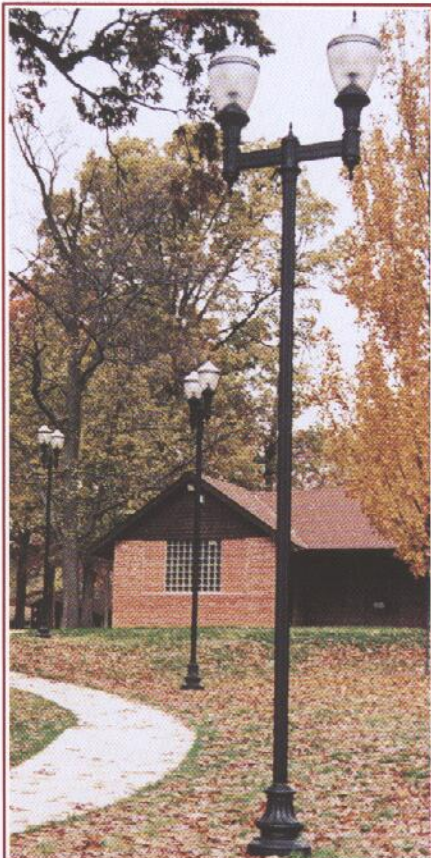
SHOWN IN PHOTO:
1880BP GLOBE ON A 329-10' POST.
Western Wall - Jerusalem, Israel



SHOWN IN PHOTO:
2270BP GLOBE ON A 235 WALL BRACKET.
Merchandise Mart - Chicago, IL



SHOWN IN PHOTO:
1630BP LUMINAIRE ON A 305-10' CAST ALUM. POST.
Professional Center - Albany, NY



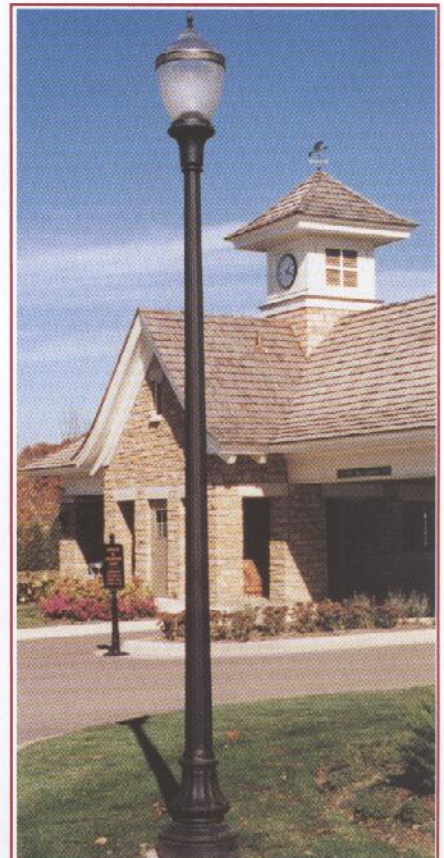
SHOWN IN PHOTO:
2-3171BP'S-510 2-LITE POST TOP BRACKET
ON A 306-12' POST.
Blackhawk State Park - Rock Island, IL



SHOWN IN PHOTO:
6134BP LUMINAIRE ON A 329-10' POST.
Heritage Inn - Orlando, FL

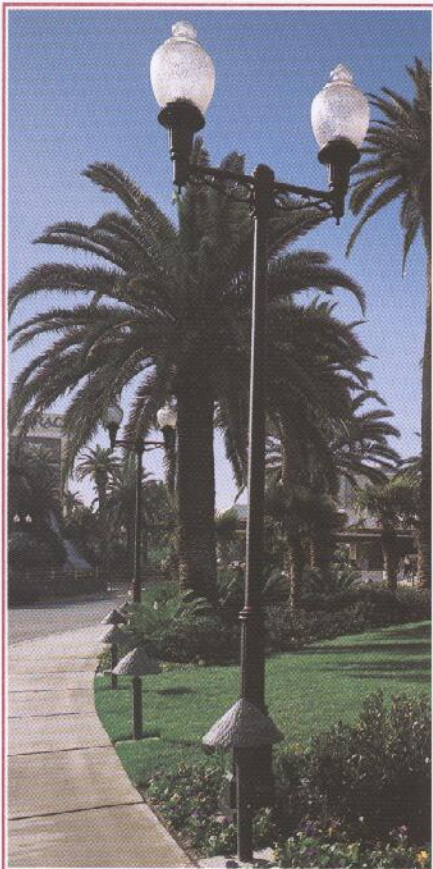


SHOWN IN PHOTO:
29091B LUMINAIRE WALL BRACKETS.
Merchandise Mart - Chicago, IL



SHOWN IN PHOTO:
3131BP GLOBE ON A 305-12' CAST ALUM. POST.
Bearpath Golf Community - Eden Prairie, MN

Applications



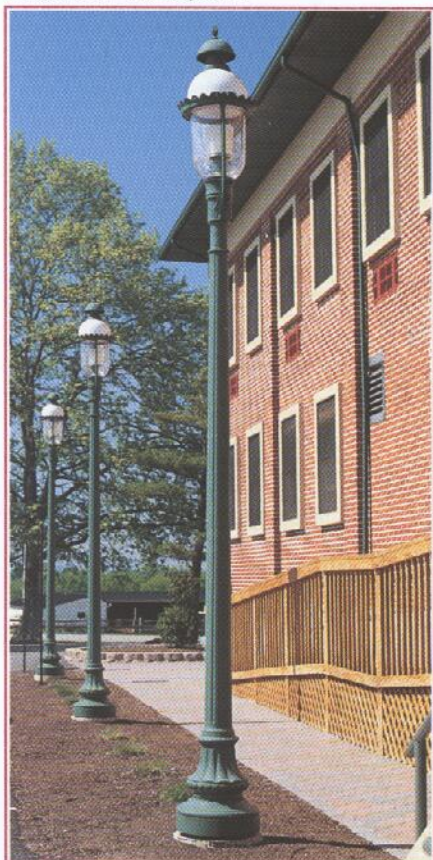
SHOWN IN PHOTO:
2-1970BP GLOBES, 552S 2-LITE POST TOP BRACKET
ON A 316-12' POST PLUS 6308 LANDSCAPE FIXTURES.
Mirage Hotel - Las Vegas, NV



SHOWN IN PHOTO:
33230BP ON A 287-12' POST.
Oyster Point - Newport News, VA



SHOWN IN PHOTO:
53630BP on a 751-10' POST
Hampton Inn - Midlothina, VA



SHOWN IN PHOTO:
1630BP LUMINAIRE ON A 305-10' POST.
The Bridges Golf Club - Abbottstown, PA



SHOWN IN PHOTO:
33230BP ON A 235 WALL BRACKET.
Point Warwick, VA



SHOWN IN PHOTO:
CUSTOM DESIGN (2)-2250BP GLOBES ON A CUSTOM
2-LITE POST TOP BRACKET WITH A 303-18'
HEAVY WALL POST. Farragut Farms - Knoxville, TN

Finishes

Hanover Lantern offers one of the industry's most comprehensive selection of decorator finishes to enhance virtually any exterior color scheme. All finishes are hand applied by skilled artisans who create the look of a natural aging process, with some of the finishes requiring a three step process.



BLK - Black



ALM - Almond



ARB - Architectural Bronze



ABS - Antique Brass



ASI - Antique Silver



WBZ - Weathered Bronze



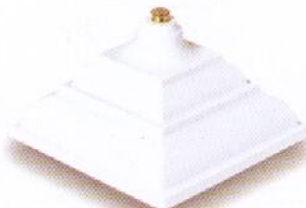
ARD - Antique Red



VBZ - Verde Bronze



VCP - Verde Copper



WHT - White



BRN - Brown



BCY - Black Cherry



RBZ - Rustic Bronze



LBR - Landscape Brown



DBZ - Dark Bronze



SGN - Shadow Green



VGN - Verde



FGN - Forest Green



ACP - Antique Copper



SRT - Shadow Red



IRN - Ironstone



VTC - Vintage Copper



GRA - Granite

Finish / codes

Hanover Lantern has recently added several new architectural colors to our ever expanding selection of decorator finishes. Please be sure to use the three letter finish code when placing your order.

Code- Finish

ABS - Antique Brass
ACP - Antique Copper
ALM - Almond
ARB - Architectural Bronze
ARD - Antique Red
ASI - Antique Silver
BCY - Black Cherry
BLK - Black
BRN - Brown
DBZ - Dark Bronze
FGN - Forest Green
GRA - Granite
IRN - Ironstone

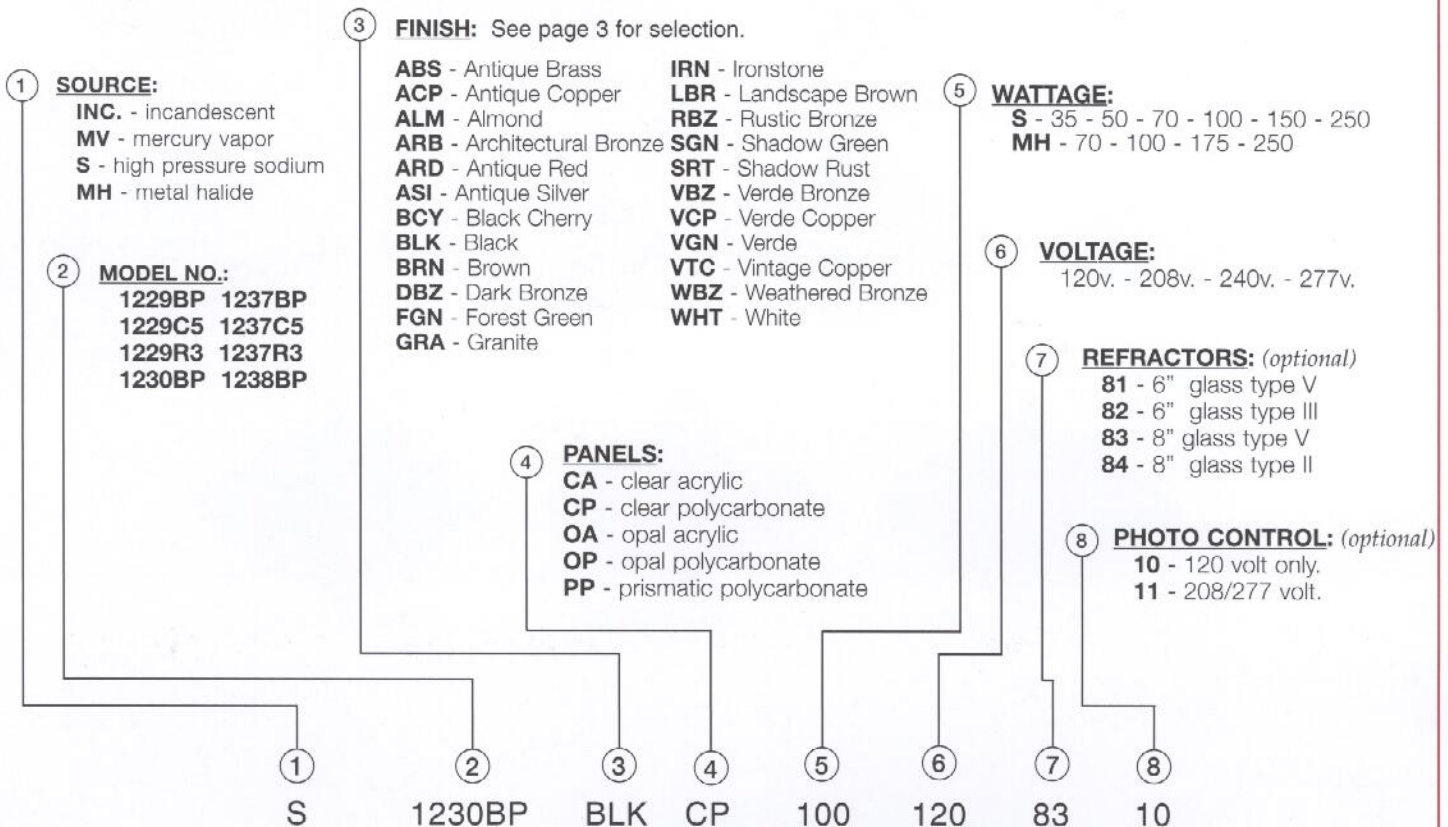
Code- Finish

LBR - Landscape Brown
RBZ - Rustic Bronze
SGN - Shadow Green
SRT - Shadow Rust
VBZ - Verde Bronze
VCP - Verde Copper
VGN - Verde
VTC - Vintage Copper
WBZ - Weathered Bronze
WHT - White

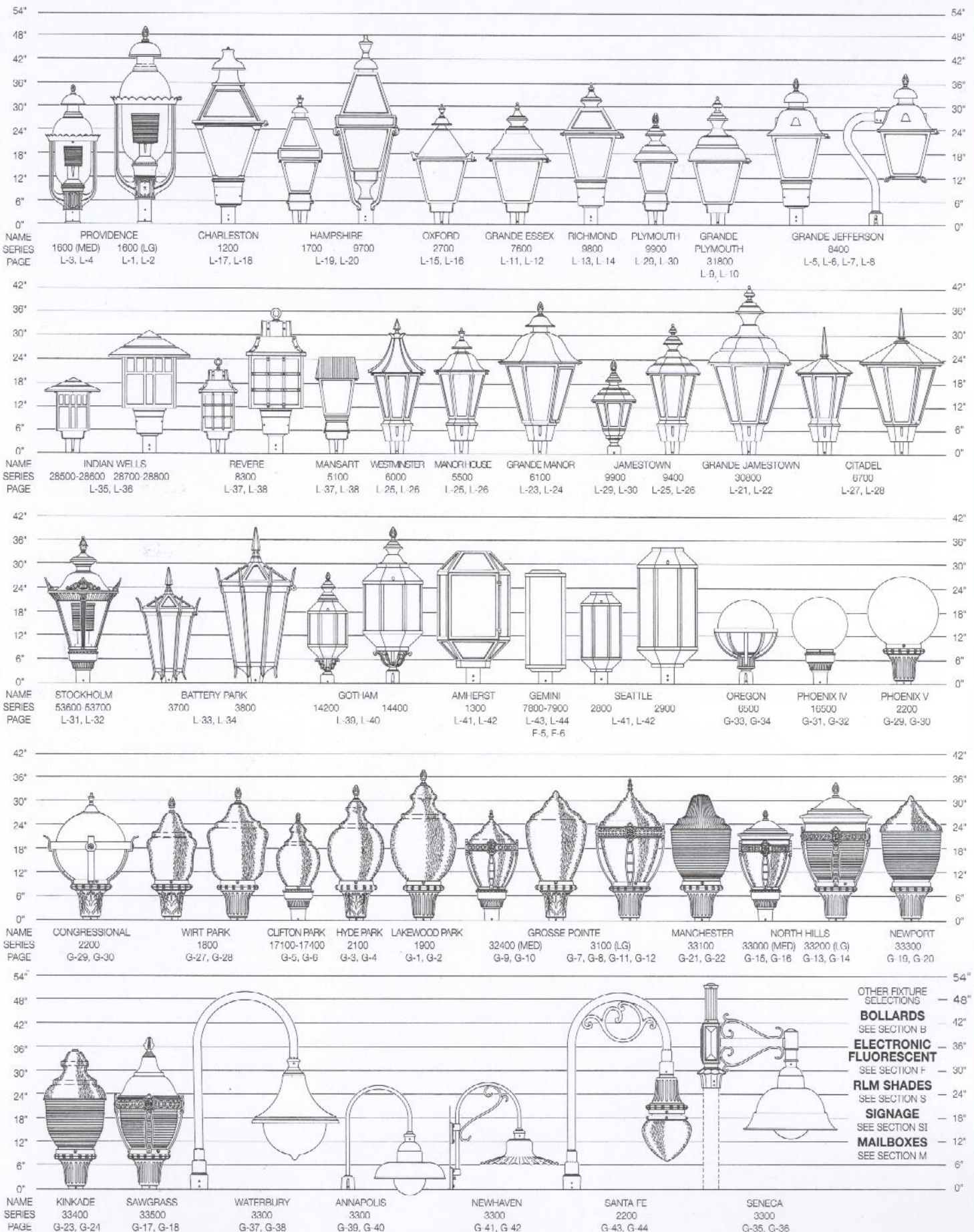
Ordering Guide

TOLL FREE phone: 800-233-7196 fax: 800-632-4795
Orders should be placed by E-MAIL or FAX.
e-mail: www.hanoverlantern.com

To ensure prompt and efficient processing of your order, please follow the sequence in the example listed below. Be sure to check the Ordering Guide on each page for specific product and options availability.



Visual Index



Applications



Mirage Hotel complex - Las Vegas, NV



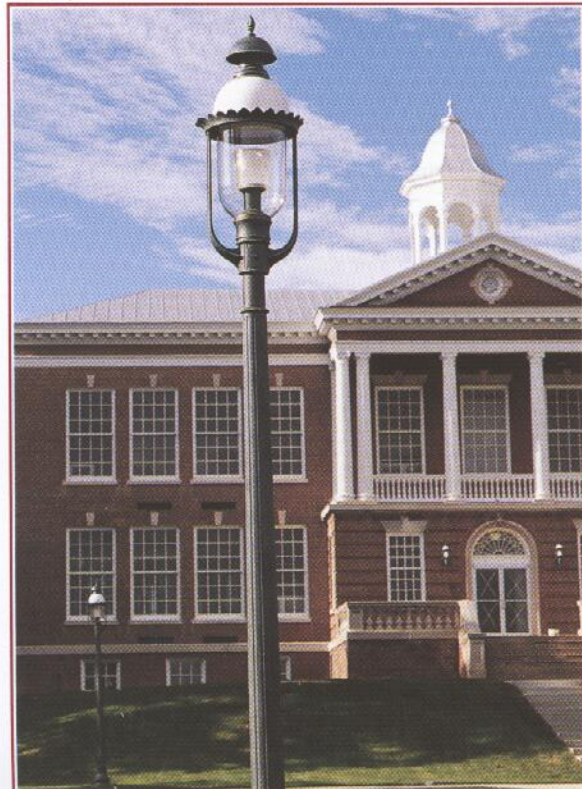
Blue Bell Country Club - Blue Bell, PA



Safeway Marketplace - Portland, OR

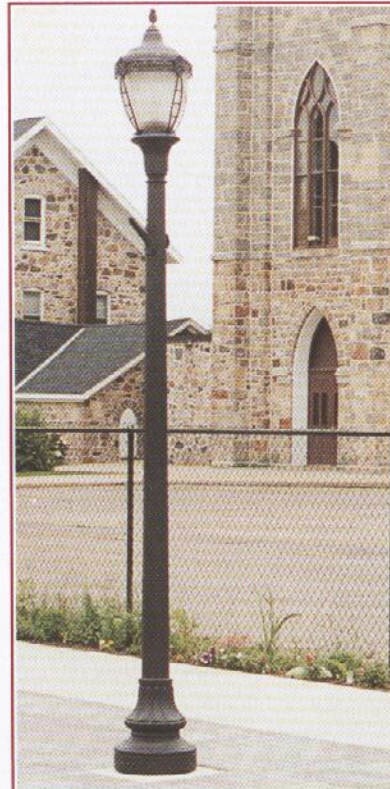


City of Menasha, WI

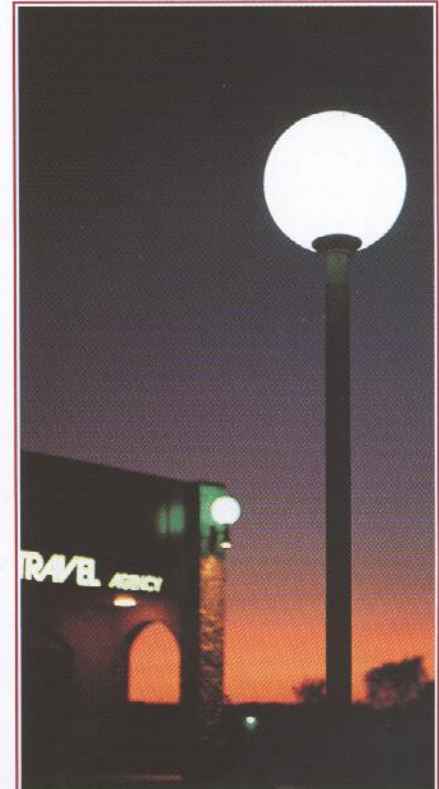


Eichelberger Professional Center - Hanover, PA

Hanover Lantern is a Philips group brand



City of St. Joseph, MN



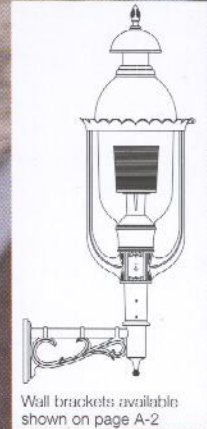
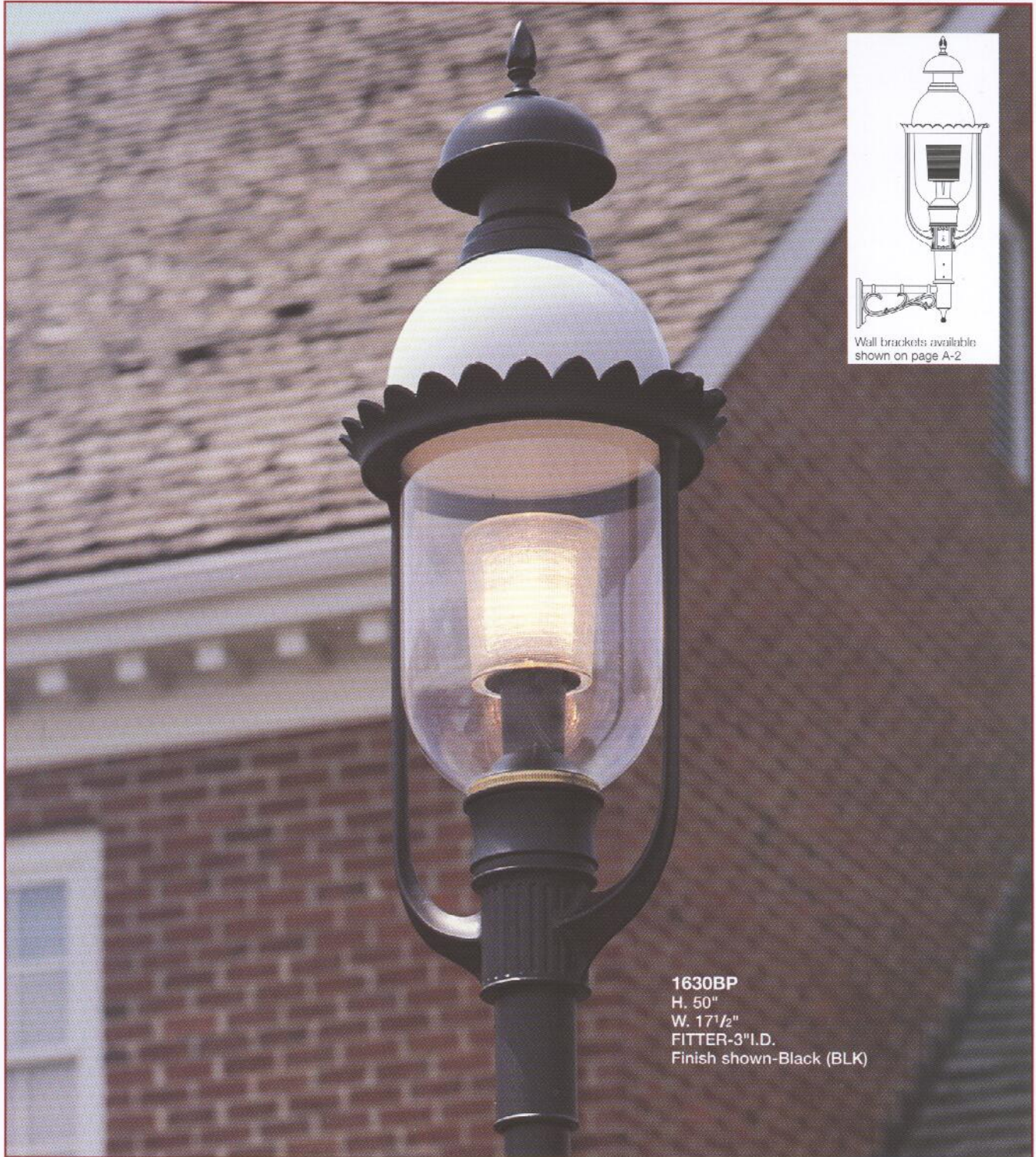
Shopping center - Lexington, KY

PROVIDENCE

1630BP - 1630C5 - 1630CH

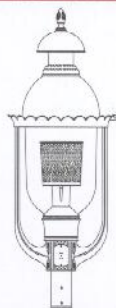
Sitescape®

SITE • ROADWAY • AREA LIGHTING

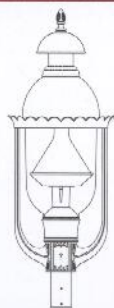


Wall brackets available shown on page A-2

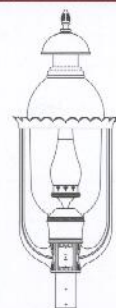
1630BP
H. 50"
W. 17 1/2"
FITTER-3" I.D.
Finish shown-Black (BLK)



1630BP

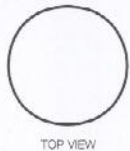


1630C5

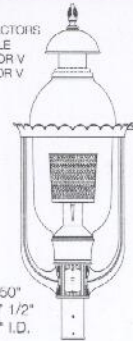


1630CH

Models Available

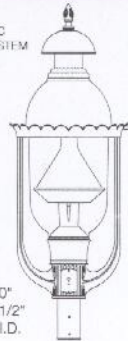


GLASS REFRACTORS AVAILABLE
8" TYPE III OR V
8" TYPE II OR V



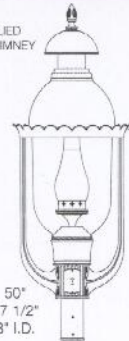
1630BP
250w
250w
150w
175w
2.60

CONE OPTIC REFLECTOR SYSTEM TYPE V



1630C5
250w
250w
150w
175w
2.60

SOCKET SUPPLIED INSIDE GLASS CHIMNEY



1630CH
250w
175w
150w
175w
2.60

4" MIN. TENON LENGTH FOR 1600 SERIES

HEIGHT:
WIDTH:
FITTER DIA.:

50"
17 1/2"
3" I.D.

50"
17 1/2"
3" I.D.

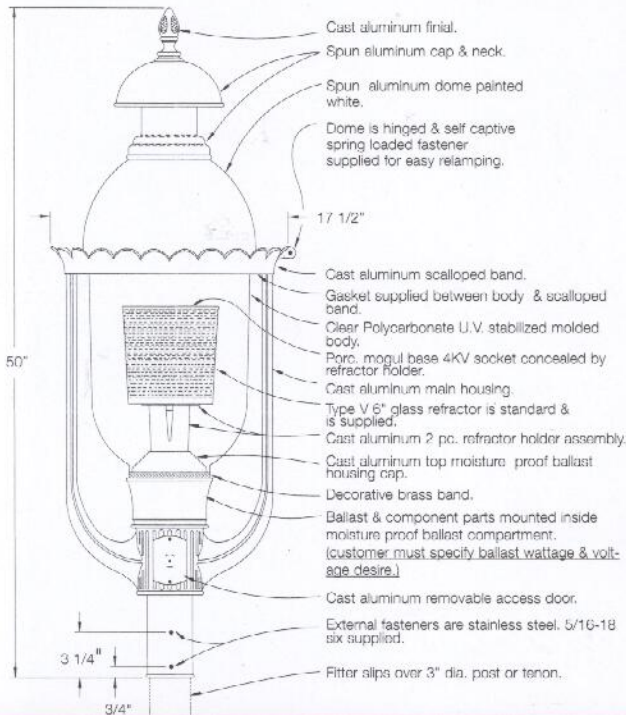
50"
17 1/2"
3" I.D.

FIXTURE NO.
MAX. WATTS - INC.
M.V.
H.P.S.
M.H.
E.P.A.

SPECIFICATIONS

MODEL No. shown **1630BP**

E.P.A. - 2.60
Max. Wt. 40 lbs

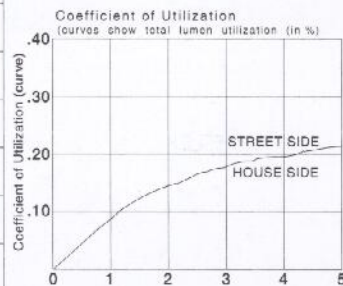
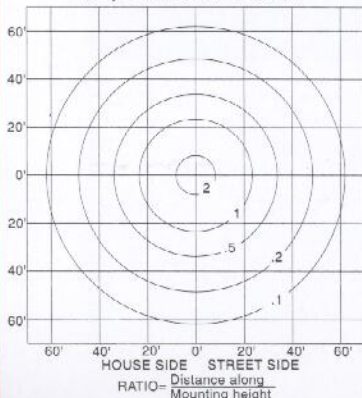


PHOTOMETRIC DATA

Symmetric Distribution

Fixture: 1630BP
Lamp: 150w H.P.S.
Lamp Lumens: 16,000

Optics: Type V Refractor
Mounting Height: 12'
Globe: Clear polycarbonate



Mounting height multiplier for isolux.

| Mtg.Ht.(ft.) | 10' | 11' | 12' | 13' | 14' |
|-------------------|-----|-----|-----|-----|-----|
| Correction factor | 1.4 | 1.2 | 1.0 | .86 | .73 |

FEATURES

SOURCES: (factory installed, prewired and tested).

INC.-(incandescent) 250 watt max.

MV-(mercury vapor) 50-75-100-175-250 watt.

S-(high pressure sodium) 35-50-70-100-150 watt.

MH-(metal halide) 70-100-175 watt.

FINISHES:

All Hanover Lantern finishes available, see page 3 for selection.

GLOBES:

CP-Clear polycarbonate, UV stabilized.

VOLTAGES:

120-208-240-277-QUAD (contact factory for availability)

REFRACTORS:

No. **81**-6" borosilicate glass, type V distribution.

No. **82**-6" borosilicate glass, type III distribution.

No. **83**-8" borosilicate glass, type V distribution.

No. **84**-8" borosilicate glass, type II distribution.

PHOTO CONTROL: (optional) factory installed.

No. **10**-120 volt only.

No. **11**-208 to 277 volt. (Must be installed in post only).

ORDERING GUIDE

To ensure prompt and efficient processing of your order, Please follow the sequence listed in the example below.

- SOURCE:**
INC.-incandescent
MV-mercury vapor
S-high pressure sodium
MH-metal halide
- MODEL NO.:**
1630BP
1630C5
1630CH
- FINISH:**
See page 3 for selection.
- WATTAGE:**
MV-50-75-100-175-250
S-35-50-70-100-150
MH-70-100-175
- VOLTAGE:**
120v.-208v.-240v.-277v.
- REFRACTORS:** (optional)
81-6" glass type V
82-6" glass type III
83-8" glass type V
84-8" glass type II
- PHOTO CONTROL:** (optional)
10-120 volt only.
11-208/277 volt.

① S ② 1630BP ③ BLK ④ 100 ⑤ 120 ⑥ 83 ⑦ 10

For post selection, see tabbed section P.
Accessories selection, see tabbed section A.

350 Kindig Lane, Hanover, PA 17331

Phone: (717) 632-6464

Fax: (717) 632-5039

Email: sales@hanoverlantern.com

Web: www.hanoverlantern.com

Hanover®

LANTERN

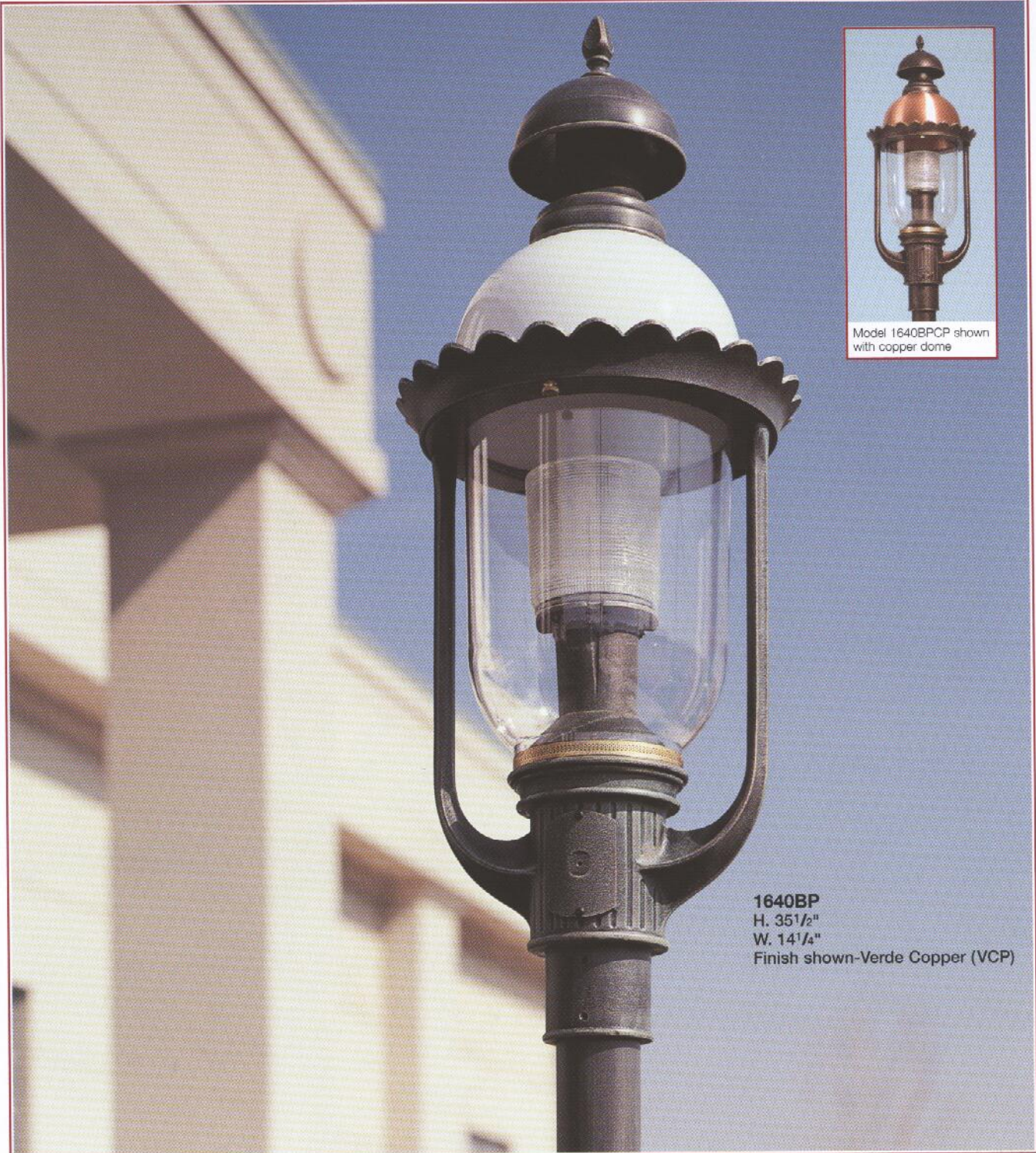
Handcrafted in the USA

PROVIDENCE (Medium)

1640BP - 1640C5 - 1640CH
1640BPCP - 1640C5CP - 1640CHCP

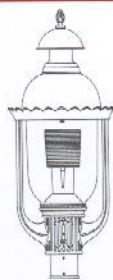
Sitescape®

SITE • ROADWAY • AREA LIGHTING



Model 1640BPCP shown with copper dome

1640BP
H. 35 1/2"
W. 14 1/4"
Finish shown-Verde Copper (VCP)



1640BP
1640BPCP (copper dome)



1640C5
1640C5CP (copper dome)



1640CH
1640CHCP (copper dome)

Models Available

PROVIDENCE (Medium)

1640BP - 1640C5 - 1640CH
1640BPCP - 1640C5CP - 1640CHCP

Sitescape®

SITE • ROADWAY • AREA LIGHTING

FIXTURE SELECTION

TOP VIEW

GLASS REFRACTOR AVAILABLE 4" TYPE V

35 1/2"
14 1/4"
3" I.D.

1640BP
1640BPCP (copper dome)

150w
75w
100w
70w
2.00

CONE OPTIC REFLECTOR SYSTEM TYPE V

35 1/2"
14 1/4"
3" I.D.

1640C5
1640C5CP (copper dome)

150w
75w
100w
70w
2.00

SOCKET SUPPLIED INSIDE GLASS CHIMNEY

35 1/2"
14 1/4"
3" I.D.

1640CH
1640CHCP (copper dome)

150w
75w
100w
70w
2.00

HEIGHT:
WIDTH:
FITTER DIA.:

FIXTURE NO.
MAX. WATTS - INC.
M.V.
H.P.S.
M.H.
E.P.A.

SPECIFICATIONS

MODEL No. shown **1640BP**

E.P.A. - 2.00
Max. Wt. 25 lbs

- Cast aluminum finial.
- Spun aluminum cap & neck.
- Spun aluminum or copper dome. Aluminum dome painted white, copper dome has brushed finish with clear lacquer coat. Copper will age naturally. (customer must specify).
- 14 1/4"
- Cast aluminum scalloped support ring with four weep holes.
- Two thumbscrews provided for relamping.
- Clear polycarbonate U.V. stabilized molded body.
- Cast aluminum main housing.
- Porcelain medium base 4KV socket concealed by refractor. (lamp not supplied).
- Type V 4" glass refractor.
- Two piece cast aluminum refractor holder assembly.
- Cast aluminum ballast housing top cap.
- Decorative brass band.
- Cast aluminum moisture proof compartment houses ballast and component parts. (customer must specify ballast wattage and voltage desired).
- Cast aluminum removable access door.
- Six 5/16" -18 stainless steel set screws secure lantern to 3" o.d. post or tenon. (post not supplied).

35 1/2"
2 5/8"
5/8"
3" I.D.

FEATURES

- SOURCES:** (factory installed, prewired and tested).
INC.-(incandescent) 150 watt max.
MV-(mercury vapor) 50-75 watt.
S-(high pressure sodium) 35-50-70-100 watt.
MH-(metal halide) 50-70 watt.
- FINISHES:**
 All Hanover Lantern finishes available, see page 3 for selection.
- GLOBES:**
CP-Clear polycarbonate, UV stabilized.
- VOLTAGES:**
 120-208-240-277-QUAD (contact factory for availability)
 (100 watt high pressure sodium - 120 volt H.P.F. only).
- REFRACTORS:**
 No. 80-4" borosilicate glass, type V distribution.
- SOCKET:**
 4KV porcelain medium base only.
- PHOTO CONTROL:** (optional) factory installed.
 No.10-120 volt only.
 No.11-208 to 277 voll. (Must be installed in post only).

ORDERING GUIDE

To ensure prompt and efficient processing of your order, Please follow the sequence listed in the example below.

- ① **SOURCE:**
INC.-incandescent
MV-mercury vapor
S-high pressure sodium
MH-metal halide
- ② **MODEL NO.:**
1640BP 1640BPCP
1640C5 1640C5CP
1640CH 1640CHCP
- ③ **FINISH:**
 See page 3 for selection.
- ④ **WATTAGE:**
MV-60-75
S-35-50-70-100
MH-50-70
- ⑤ **VOLTAGE:**
 120v.-208v.-240v.-277v.
 100w. HPS-120v. only
- ⑥ **REFRACTORS:** (optional)
 80-4" glass type V
- ⑦ **PHOTO CONTROL:** (optional)
 10-120 volt only.

① S ② 1640BP ③ VCP ④ 100 ⑤ 120 ⑥ 80 ⑦ 10

For post selection, see tabbed section P.
 Accessories selection, see tabbed section A.

PHOTOMETRIC DATA

Symmetric Distribution

Fixture: 1640BP Optics: Type V
 Lamp: 100w H.P.S. Mounting Height: 10'
 Lamp Lumens: 9,500 Panels: Clear polycarbonate

Coefficient of Utilization
 (curves show total lumen utilization (in %))

Mounting height multiplier for isolux.

| Mtg.Ht.(ft.) | 8' | 9' | 10' | 11' | 12' |
|-------------------|-----|-----|-----|-----|-----|
| Correction factor | 1.6 | 1.2 | 1.0 | .82 | .69 |

Ratio = Distance along Mounting height

350 Kindig Lane, Hanover, PA 17331
 Phone: (717) 632-6464
 Fax: (717) 632-5039
 Email: sales@hanoverlantern.com
 Web: www.hanoverlantern.com

Hanover®
 LANTERN
 Handcrafted in the USA

GRANDE JEFFERSON

8410WA - 8432BP - 8432C5 - 8432R3 - 8432R5
8437IB - 8438BP - 8438R3 - 8438R5

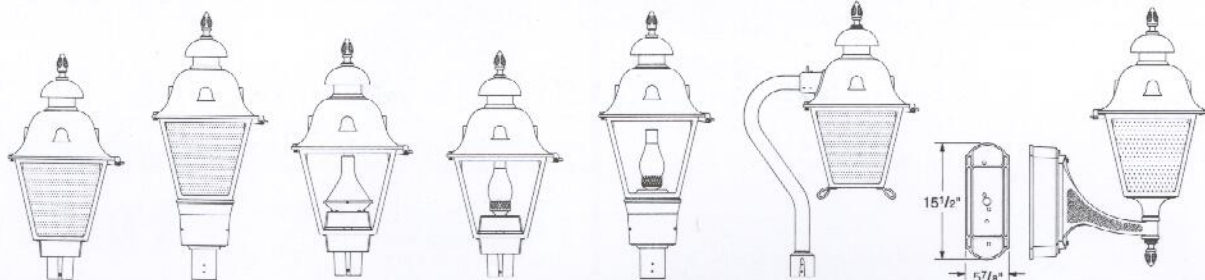
Sitescape®

SITE • ROADWAY • AREA LIGHTING



Wall brackets available
shown on page A-2

8432BP
H. 31"
W. 14³/₄"
FITTER-3" I.D.
Finish shown-Verde Bronze (VBZ)
optional #83 refractor shown



Models Available

8432BP

8438BP

8432C5

8432R3
8432R5

8438R3
8438R5

8437IB

8410WA

GRANDE JEFFERSON

8410WA - 8432BP - 8432C5 - 8432R3 - 8432R5
8437IB - 8438BP - 8438R3 - 8438R5

Sitescape®

SITE • ROADWAY • AREA LIGHTING

FIXTURE SELECTION

2 1/2" MIN. TENON LENGTH FOR 8400 SERIES

HEIGHT: 31"
WIDTH: 14 3/4"
FITTER DIA./PROJ.: 3" I.D.

GLASS REFRACTORS AVAILABLE
6" TYPE III OR V
8" TYPE II OR V

SLIDE OUT BALLAST TRAY W/QUICK DISCONNECTS

CONE OPTIC REFLECTOR SYSTEM TYPE V
MEDIUM BASE SOCKET ONLY

ROOF MOUNTED REFLECTOR SYSTEM TYPE III or V CHIMNEY NOT ELECTRIFIED

SLIDE OUT BALLAST TRAY W/QUICK DISCONNECTS

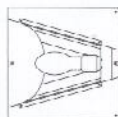
GLASS REFRACTORS AVAILABLE
6" TYPE III OR V
8" TYPE II OR V

| FIXTURE NO. | 8432BP | 8438BP | 8432C5 | 8432R3 8432R5 | 8438R3 8438R5 | 8437IB | 8410WA |
|-------------------|--------|--------|--------|------------------|------------------|--------|--------|
| MAX. WATTS - INC. | 250w | 250w | 250w | 250w | 250w | 250w | 250w |
| M.V. | 175w | 250w | 100w | 175w | 250w | 175w | 250w |
| H.P.S. | 150w | 250w | 150w | 150w | 250w | 150w | 150w |
| M.H. | 175w | 250w | 175w | 175w | 250w | 175w | 175w |
| E.P.A. | 1.22 | 1.22 | 1.22 | 1.22 | 1.22 | 2.40 | |

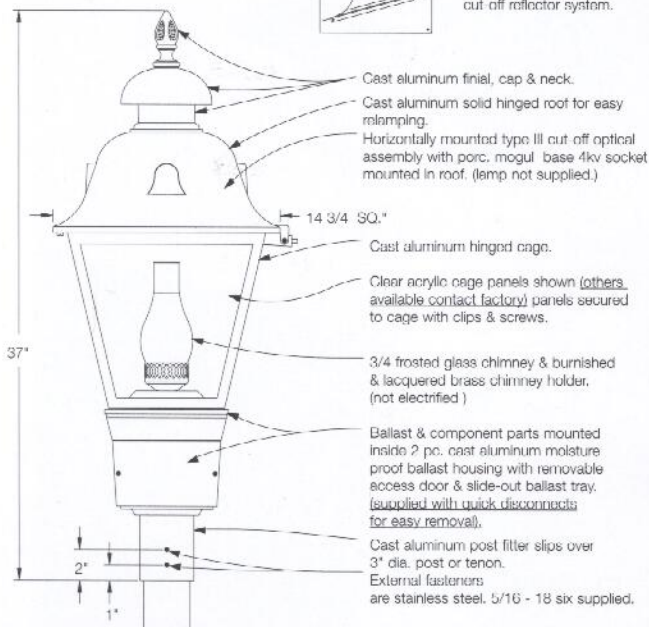
SPECIFICATIONS

MODEL No. shown 8438R3

E.P.A. - 1.22
Max. Wt. 44 lbs



Bottom view of type III cut off reflector system.

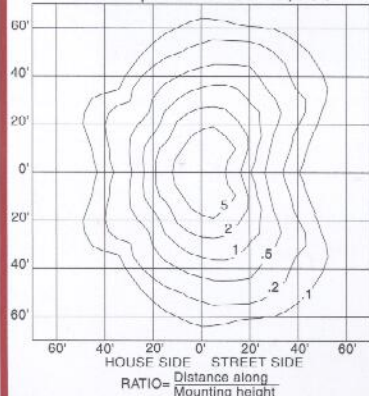


PHOTOMETRIC DATA

Asymmetric Distribution

Fixture: 8432R3
Lamp: 150w H.P.S.
Lamp Lumens: 16,000

Optics: Type III Cut off
Mounting Height: 12'
Panels: Clear polycarbonate



Mounting height multiplier for isotlux.

| Mtg.Ht.(ft.) | 10' | 11' | 12' | 13' | 14' |
|-------------------|-----|-----|-----|-----|-----|
| Correction factor | 1.4 | 1.2 | 1.0 | .86 | .73 |

FEATURES

SOURCES: (factory installed, prewired and tested).

- INC.-(incandescent) 250 watt max.
- MV-(mercury vapor) 50-75-100-175-250 watt.
- S-(high pressure sodium) 35-50-70-100-150-250 watt.
- MH (metal halide) 70-100-175-250 watt.

FINISHES:

All Hanover Lantern finishes available, see page 3 for selection.

PANELS:

- CA-Clear acrylic
- CP-Clear polycarbonate, UV stabilized.
- OA-Opal acrylic
- OP-Opal polycarbonate, UV stabilized
- PP-Prismatic polycarbonate, UV stabilized.

VOLTAGES:

120-208-240-277-QUAD (contact factory for availability)

REFRACTORS:

- No. 81-6" borosilicate glass, type V distribution.
- No. 82-6" borosilicate glass, type III distribution.
- No. 83-8" borosilicate glass, type V distribution.
- No. 84-8" borosilicate glass, type II distribution.

PHOTO CONTROL: (optional) factory installed.

- No. 10-120 volt only.
- No. 11-208 to 277 volt.

ORDERING GUIDE

To ensure prompt and efficient processing of your order, please follow the sequence listed in the example below.

- SOURCE:**
INC.-incandescent
MV-mercury vapor
S-high pressure sodium
MH-metal halide
- MODEL NO.:**
8432BP 8438R5
8438BP 8432R5
8432R3 8437IB
8438R3 8410WA
8432C5
- FINISH:**
See page 3 for selection.
- PANELS:**
CP-Clear acrylic
CP-Clear polycarbonate
OA-Opal acrylic
OP-Opal polycarbonate
PP-Prismatic polycarbonate
- WATTAGE:**
MV-50-75-100-175-250
S-35-50-70-100-150-250
MH-70-100-175-250
- VOLTAGE:**
120v.-208v.-240v.-277v.
- REFRACTORS:** (optional)
81-6" glass type V
82-6" glass type III
83-8" glass type V
84-8" glass type II
- PHOTO CONTROL:** (optional)
10-120 volt only.
11-208/277 volt.

① S ② 8432BP ③ BLK ④ CP ⑤ 100 ⑥ 120 ⑦ 83 ⑧ 10

For post selection, see tabbed section P.
Accessories selection, see tabbed section A.

350 Kindig Lane, Hanover, PA 17331

Phone: (717) 632-6464
Fax: (717) 632-5039
Email: sales@hanoverlantern.com
Web: www.hanoverlantern.com

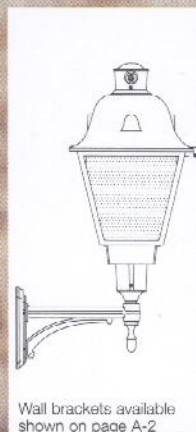
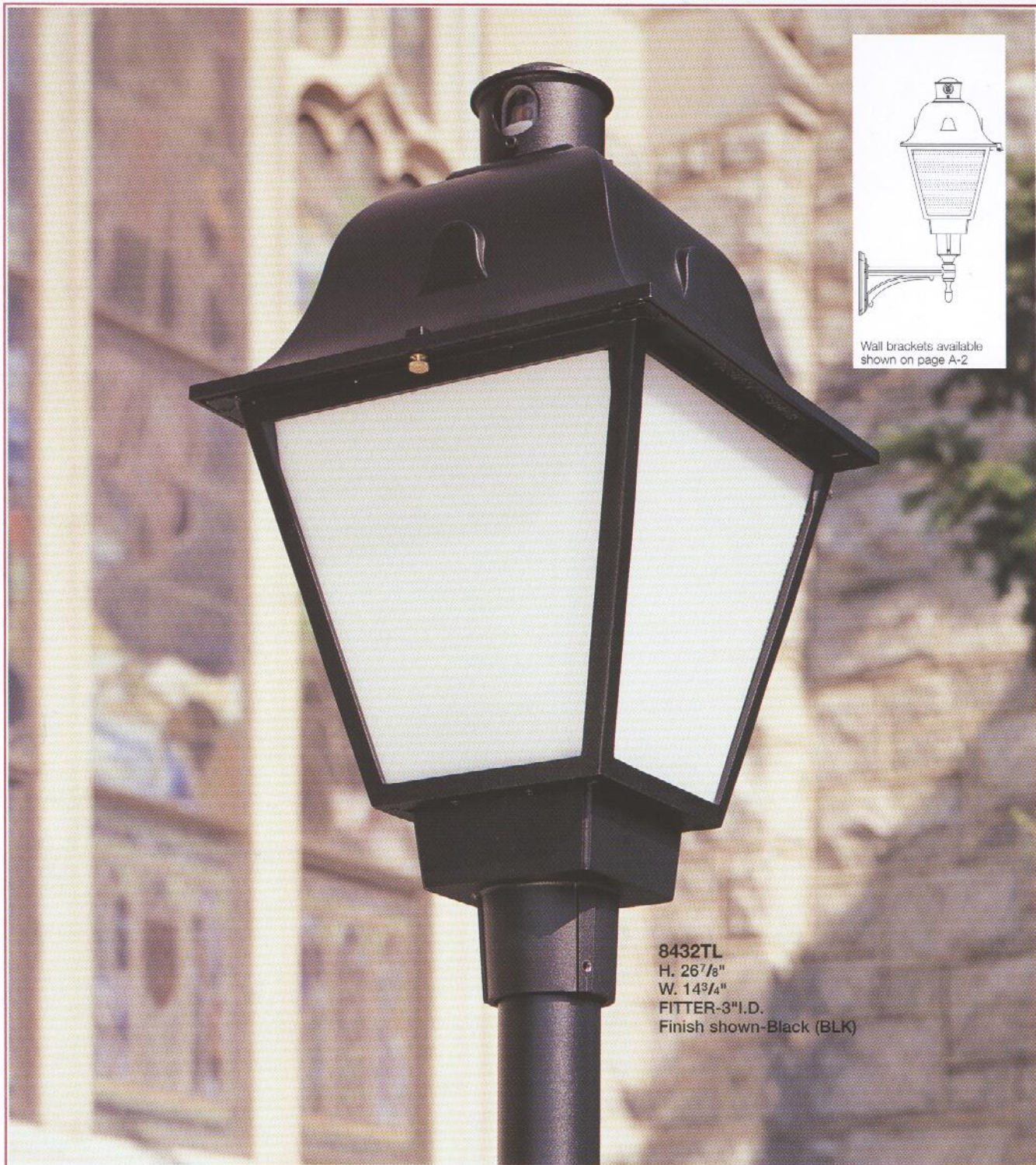
Hanover®
LANTERN
Handcrafted in the USA

GRANDE JEFFERSON

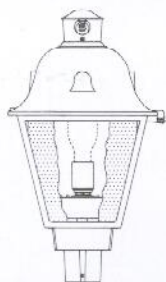
8432TL - 8453TL

Sitescape®

SITE • ROADWAY • AREA LIGHTING



8432TL
H. 26⁷/₈"
W. 14³/₄"
FITTER-3" I.D.
Finish shown-Black (BLK)



8432TL



8453TL

Models Available

FIXTURE SELECTION

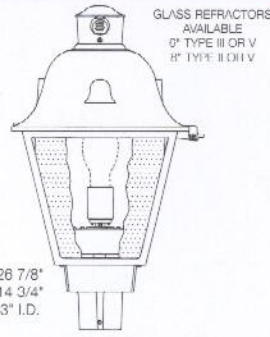


TOP VIEW

2 1/2" MIN. TENON LENGTH FOR #40329-11115

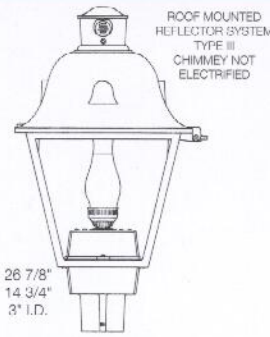
HEIGHT:
WIDTH:
FITTER DIA./PROJ.:
T/O:

FIXTURE NO.
MAX. WATTS - INC.
M.V.
H.P.S.
M.H.
C.P.A.



26 7/8"
14 3/4"
3" I.D.

8432TL
250w
175w
150w
175w
1.22



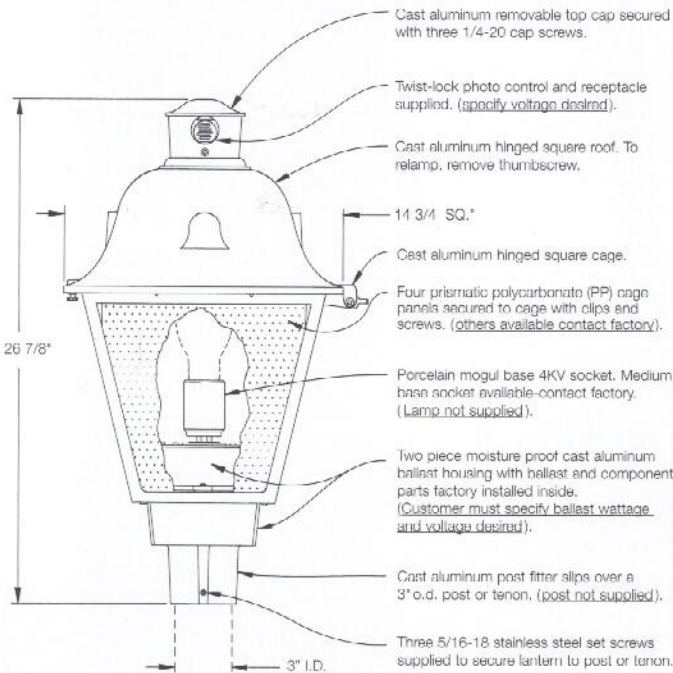
26 7/8"
14 3/4"
3" I.D.

8453TL
250w
175w
150w
175w
1.22

SPECIFICATIONS

MODEL No. shown **8432TL**

E.P.A. - 1.22
Max. Wt. 44 lbs

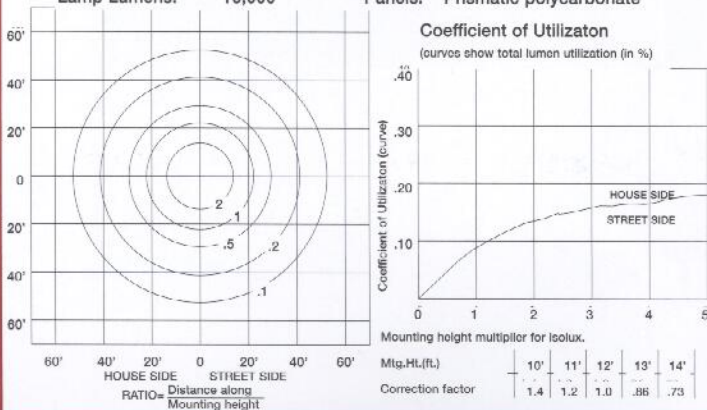


- 1 Cast aluminum removable top cap secured with three 1/4-20 cap screws.
- 2 Twist-lock photo control and receptacle supplied. (specify voltage desired).
- 3 Cast aluminum hinged square roof. To relamp, remove thumbscrew.
- 4 14 3/4" SQ."
- 5 Cast aluminum hinged square cage.
- 6 Four prismatic polycarbonate (PP) cage panels secured to cage with clips and screws. (others available contact factory).
- 7 Porcelain mogul base 4KV socket. Medium base socket available-contact factory. (Lamp not supplied).
- 8 Two piece moisture proof cast aluminum ballast housing with ballast and component parts factory installed inside. (Customer must specify ballast wattage and voltage desired).
- 9 Cast aluminum post fitter slips over a 3" c.d. post or tenon. (post not supplied).
- 10 Three 5/16-18 stainless steel set screws supplied to secure lantern to post or tenon.

PHOTOMETRIC DATA

Asymmetric Distribution

Fixture: **8432TL**
Lamp: **150w H.P.S.**
Lamp Lumens: **16,000**
Optics: **Type V**
Mounting Height: **12'**
Panels: **Prismatic polycarbonate**



FEATURES

SOURCES: (factory installed, prewired and tested).

- INC.**-(incandescent) 250 watt max.
- MV**-(mercury vapor) 50-75-100-175 watt.
- S**-(high pressure sodium) 35-50-70-100-150 watt.
- MH**-(metal halide) 70-100-175 watt.

FINISHES:

All Hanover Lantern finishes available, see page 3 for selection.

PANELS:

- CA**-Clear acrylic
- CP**-Clear polycarbonate, UV stabilized.
- OA**-Opal acrylic
- OP**-Opal polycarbonate, UV stabilized
- PP**-Prismatic polycarbonate, UV stabilized.

VOLTAGES:

120-208-240-277-QUAD (contact factory for availability)

REFRACTORS:

- No. **81** 6" borosilicate glass, type V distribution.
- No. **82** 6" borosilicate glass, type III distribution.
- No. **83** 8" borosilicate glass, type V distribution.
- No. **84** 8" borosilicate glass, type II distribution.

PHOTO CONTROL: (factory installed)

- No. **10TL**-120 volt only.
- No. **11TL**-208 to 277 volt.

ORDERING GUIDE

To ensure prompt and efficient processing of your order, Please follow the sequence listed in the example below.

- ① **SOURCE:**
INC.-incandescent
MV-mercury vapor
S-high pressure sodium
MH-metal halide
- ② **MODEL NO.:**
8432TL
8453TL
- ③ **FINISH:**
See page 3 for selection.
- ④ **PANELS:**
CP-Clear acrylic
CP-Clear polycarbonate
OA-Opal acrylic
OP-Opal polycarbonate
PP Prismatic polycarbonate
- ⑤ **WATTAGE:**
MV 50-75-100-175
S-35-50-70-100-150
MH-70-100-175
- ⑥ **VOLTAGE:**
120v.-208v.-240v.-277v.
- ⑦ **REFRACTORS:** (optional)
81-6" glass type V
82-6" glass type III
83 8" glass type V
84-8" glass type II
- ⑧ **PHOTO CONTROL:**
10TL-120 volt only.
11TL-208/277 volt.

① S ② 8432TL ③ BLK ④ PP ⑤ 150 ⑥ 120 ⑦ - ⑧ 10TL

For post selection, see tabbed section P.
Accessories selection, see tabbed section A.

350 Kindig Lane, Hanover, PA 17331

Phone: (717) 632-6464

Fax: (717) 632-5039

Email: sales@hanoverlantern.com

Web: www.hanoverlantern.com

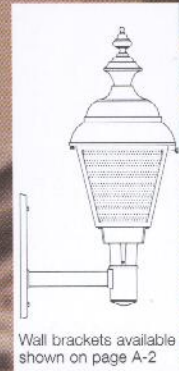
Hanover®
LANTERN
Handcrafted in the USA

GRANDE PLYMOUTH

31810WA - 3182OCC - 31832BP - 31832R3 - 31832C5
 31832R5 - 31838BP - 31838R3 - 31838R5 - 31832TL

Sitescape®

SITE • ROADWAY • AREA LIGHTING



31832R3
 H. 32⁵/₈"
 W. 14³/₄"
 FITTER-3" I.D.
 Finish shown-Weathered Bronze (WBZ)

Models Available 31832BP 31838BP 31832R3 31838R3 31832C5 31832TL 3182OCC 31810WA

GRANDE PLYMOUTH

31810WA - 31820CC - 31832BP - 31832R3
31832R5 - 31838BP - 31838R3 - 31838R5

Sitescape®

SITE • ROADWAY • AREA LIGHTING

FIXTURE SELECTION

TOP VIEW

2 1/2" MIN. TENON LENGTH FOR 31800 SERIES

HEIGHT: 32 5/8" 38 5/8" 32 5/8" 38 5/8" 32 5/8" 27 5/8" 41 5/8" 37 1/2"

WIDTH: 14 3/4" 14 3/4" 14 3/4" 14 3/4" 14 3/4" 14 3/4" 14 3/4" 14 7/8"

FITTER DIA./PROJ.: 3" I.D. 3" I.D. 3" I.D. 3" I.D. 3" I.D. 3" I.D. 3" I.D. 28 1/4"

GLASS REFRACTORS AVAILABLE: 6" TYPE III OR V, 8" TYPE II OR V

ROOF MOUNTED REFLECTOR SYSTEM TYPE III or V CHIMNEY NOT ELECTRIFIED

CONE OPTIC REFLECTOR SYSTEM TYPE V MEDIUM HAZE SOCKET ONLY

TWIST LOCK PHOTO CONTROL AND RECEPTACLE

GLASS REFRACTORS AVAILABLE: 6" TYPE III OR V, 8" TYPE II OR V

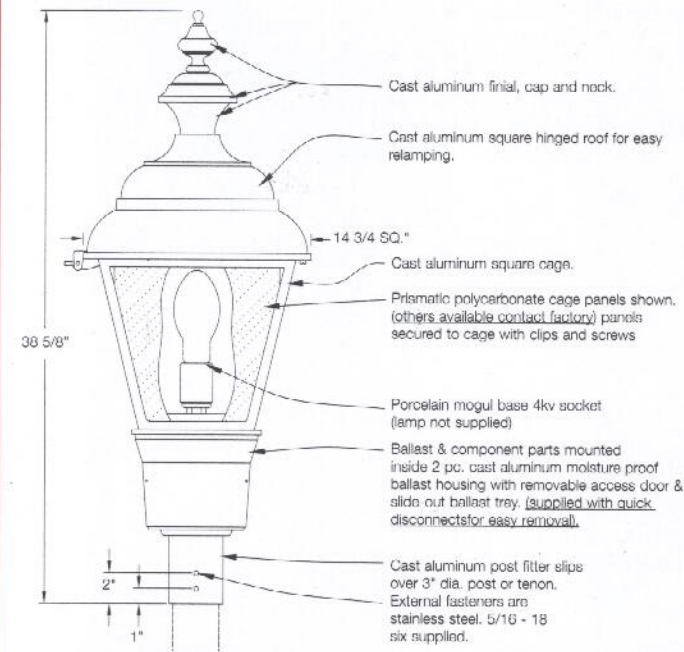
SLIDE OUT BALLAST TRAY W/QUICK DISCONNECTS

SLIDE OUT BALLAST TRAY W/QUICK DISCONNECTS

| FIXTURE NO. | 31832BP | 31838BP | 31832R3 31832R5 | 31838R3 31838R5 | 31832C5 | 31832TL | 318320CC | 31810WA |
|-------------------|---------|---------|--------------------|--------------------|---------|---------|----------|---------|
| MAX. WATTS - INC. | 250w | 250w | 250w | 250w | 250w | 250w | 250w | 250w |
| M.V. | 175w | 250w | 175w | 250w | 175w | 175w | 175w | 250w |
| H.P.S. | 150w | 250w | 150w | 250w | 150w | 150w | 150w | 150w |
| M.H. | 175w | 250w | 175w | 250w | 175w | 175w | 175w | 175w |
| E.P.A. | 1.66 | 1.60 | 1.66 | 1.60 | 1.66 | 1.53 | | |

SPECIFICATIONS

MODEL No. shown **31838BP** E.P.A. - 1.60 Max. Wt. 44 lbs



FEATURES

SOURCES: (factory installed, prewired and tested).
INC.-(incandescent) 250 watt max.
MV-(mercury vapor) 50-75-100-175-250 watt.
S-(high pressure sodium) 35-50-70-100-150-250 watt.
MH-(metal halide) 70-100-175-250 watt.

FINISHES:
 All Hanover Lantern finishes available, see page 3 for selection.

PANELS:
CA-Clear acrylic
CP-Clear polycarbonate, UV stabilized.
OA-Opal acrylic
OP-Opal polycarbonate, UV stabilized
PP-Prismatic polycarbonate, UV stabilized.

VOLTAGES:
 120-208-240-277-QUAD (contact factory for availability)

REFRACTORS:
 No. **81**-6" borosilicate glass, type V distribution.
 No. **82**-6" borosilicate glass, type III distribution.
 No. **83**-8" borosilicate glass, type V distribution.
 No. **84**-8" borosilicate glass, type II distribution.

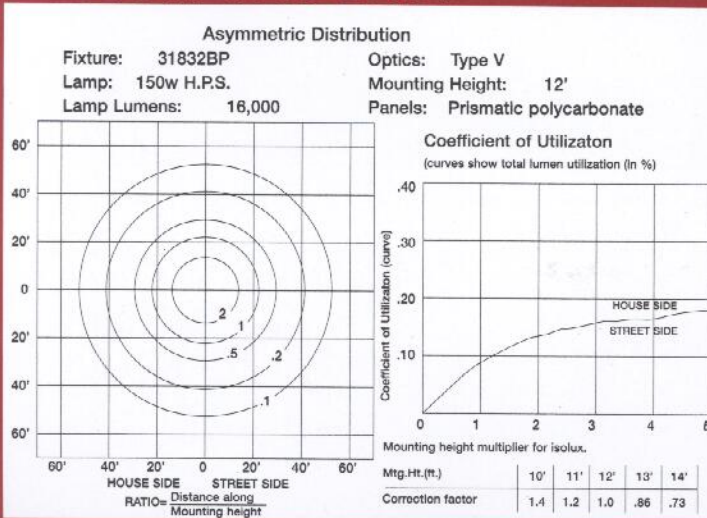
PHOTO CONTROL: (optional) factory installed.
 No. **10**-120 volt only.
 No. **11**-208 to 277 volt. (Must be installed in post only).

ORDERING GUIDE

To ensure prompt and efficient processing of your order, Please follow the sequence listed in the example below.

- SOURCE:**
INC-incandescent
MV-mercury vapor
S-high pressure sodium
MH-metal halide
 - MODEL NO.:**
31810WA **31832R5**
31820CC **31838BP**
31832BP **31838R3**
31832R3 **31838R5**
31832C5 **31832TL**
 - FINISH:**
 See page 3 for selection.
 - PANELS:**
CA-clear acrylic
CP-clear polycarbonate
OA-opal acrylic
OP-opal polycarbonate
PP-prismatic polycarbonate
 - WATTAGE:**
MV-50-75-100-175-250
S-35-50-70-100-150-250
MH-70-100-175-250
 - VOLTAGE:**
 120v.-208v.-240v.-277v.
 - REFRACTORS:** (optional)
81-6" glass type V
82-6" glass type III
83-8" glass type V
84-8" glass type II
 - PHOTO CONTROL:** (optional)
10-120 volt only.
11-208/277 volt.
- ① S ② 31832BP ③ BLK ④ PP ⑤ 175 ⑥ 120 ⑦ - ⑧ -
- For post selection, see tabbed section P.
 Accessories selection, see tabbed section A.

PHOTOMETRIC DATA



350 Kindig Lane, Hanover, PA 17331
 Phone: (717) 632-6464
 Fax: (717) 632-5039
 Email: sales@hanoverlantern.com
 Web: www.hanoverlantern.com

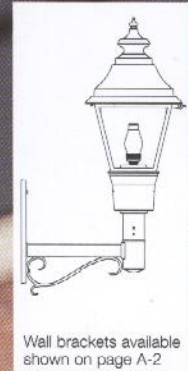
Hanover®
 LANTERN
 Handcrafted in the USA

GRANDE ESSEX

7610WA - 7620CC - 7632BP - 7632R3 - 7632C5
 7632R5 - 7638BP - 7638R3 - 7638R5 - 7632TL

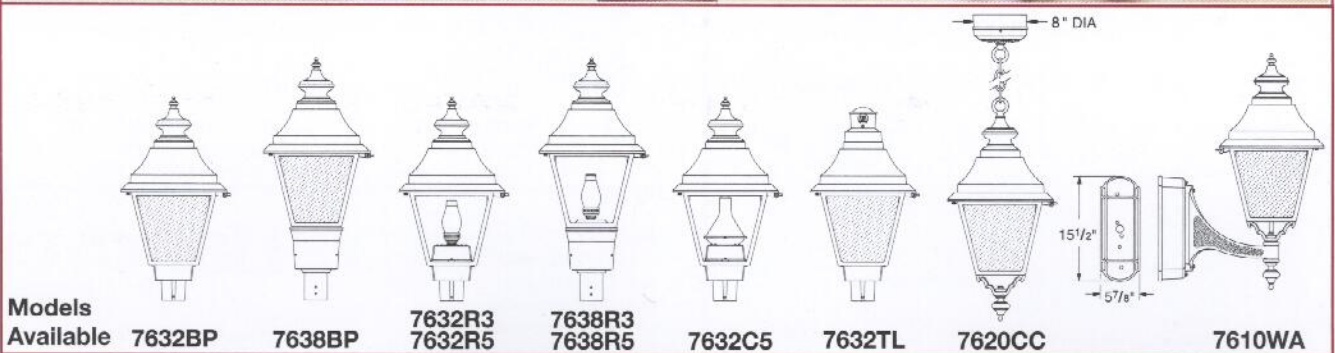
Sitescape®

SITE • ROADWAY • AREA LIGHTING



Wall brackets available shown on page A-2

7632BP
 H. 30³/₄"
 W. 16"
 FITTER-3" I.D.
 Finish shown-Forest Green (FGN)
 optional #83 refractor shown



Models Available 7632BP 7638BP

7632R3
7632R5

7638R3
7638R5

7632C5

7632TL

7620CC

7610WA

GRANDE ESSEX

7610WA - 7620CC - 7632BP - 7632R3 - 7632C5
7632R5 - 7638BP - 7638R3 - 7638R5 - 7632TL

Sitescape®

SITE • ROADWAY • AREA LIGHTING

FIXTURE SELECTION

TOP VIEW

2 1/2" MIN. TENON LENGTH FOR 7600 SERIES

HEIGHT: 30 3/4" 36 3/4" 30 3/4" 36 3/4" 30 3/4" 29 1/8" 42" 35 1/2"
WIDTH: 16" 16" 16" 16" 16" 16" 16" 16"
FITTER DIA./PROJ.: 3" I.D. 3" I.D. 3" I.D. 3" I.D. 3" I.D. 3" I.D. 3" I.D. 3" I.D.

GLASS REFRACTORS AVAILABLE 6" TYPE III OR V 8" TYPE II OR V

SLIDE OUT BALLAST TRAY W/QUICK DISCONNECTS

ROOF MOUNTED REFLECTOR SYSTEM TYPE III or V CHIMNEY NOT ELECTRIFIED

SLIDE OUT BALLAST TRAY W/QUICK DISCONNECTS

CONE OPTIC REFLECTOR SYSTEM TYPE V MEDIUM BASE SOCKET ONLY

TWIST LOCK PHOTO CONTROL AND RECEPTACLE

GLASS REFRACTORS AVAILABLE 6" TYPE III OR V 8" TYPE II OR V

| FIXTURE NO. | 7632BP | 7638BP | 7632R3 TYPE III | 7638R3 TYPE III | 7632C5 | 7632TL | 7620CC | 7610WA |
|-------------------|--------|--------|-----------------|-----------------|--------|--------|--------|--------|
| MAX. WATTS - INC. | 250w | 250w | 250w | 250w | 250w | 250w | 250w | 250w |
| M.V. | 175w | 250w | 175w | 250w | 175w | 175w | 175w | 250w |
| H.P.S. | 150w | 250w | 150w | 250w | 150w | 150w | 150w | 150w |
| M.H. | 175w | 250w | 175w | 250w | 175w | 175w | 175w | 175w |
| E.P.A. | 1.70 | 1.70 | 1.70 | 1.70 | 1.70 | 1.73 | | |

SPECIFICATIONS

MODEL No. shown 7638BP w/#82 refractor

E.P.A. - 1.70
Max. Wt. 44 lbs

FEATURES

SOURCES: (factory installed, prewired and tested).

INC. (incandescent) 250 watt max.

MV-(mercury vapor) 50-75-100-175-250 watt.

S-(high pressure sodium) 35-50-70-100-150-250 watt.

MH-(metal halide) 70-100-175-250 watt.

FINISHES:

All Hanover Lantern finishes available, see page 3 for selection.

PANELS:

CA Clear acrylic

CP-Clear polycarbonate, UV stabilized.

OA-Opal acrylic

OP-Opal polycarbonate, UV stabilized

PP-Prismatic polycarbonate, UV stabilized.

VOLTAGES:

120-208-240-277-QUAD (contact factory for availability)

REFRACTORS:

No. **81**-6" borosilicate glass, type V distribution.

No. **82**-6" borosilicate glass, type III distribution.

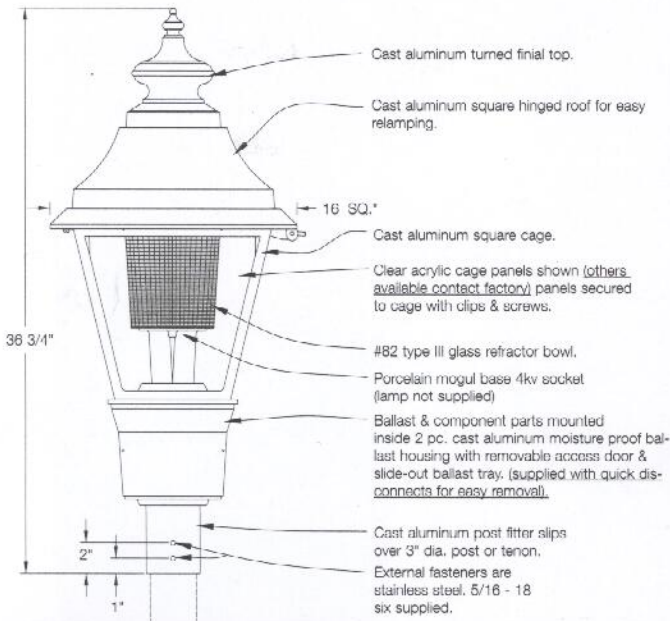
No. **83**-8" borosilicate glass, type V distribution.

No. **84**-8" borosilicate glass, type II distribution.

PHOTO CONTROL: (optional) factory installed.

No. **10**-120 volt only.

No. **11**-208 to 277 volt. (Must be installed in post only).

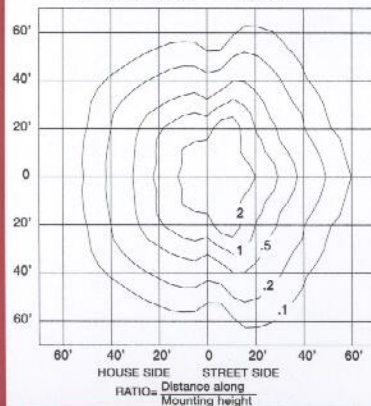


PHOTOMETRIC DATA

Asymmetric Distribution

Fixture: 7638BP W/#82
Lamp: 150w H.P.S.
Lamp Lumens: 16,000

Optics: Type III
Mounting Height: 12'
Panels: Clear polycarbonate



Coefficient of Utilization

(curves show total lumen utilization (in %))



| Mtg.Ht.(ft.) | 10' | 11' | 12' | 13' | 14' |
|-------------------|-----|-----|-----|-----|-----|
| Correction factor | 1.4 | 1.2 | 1.0 | .86 | .73 |

ORDERING GUIDE

To ensure prompt and efficient processing of your order, Please follow the sequence listed in the example below.

- SOURCE:**
INC--incandescent
MV--mercury vapor
S--high pressure sodium
MH--metal halide
- MODEL NO.:**
7610WA 7632R5
7620CC 7638BP
7632BP 7638R3
7632R3 7638R5
7632C5 7638TL
- FINISH:**
See page 3 for selection.
- PANELS:**
CA-clear acrylic
CP-clear polycarbonate
OA-opal acrylic
OP-opal polycarbonate
PP-prismatic polycarbonate
- WATTAGE:**
MV-50-75-100-175-250
S-35-50-70-100-150-250
MH-70-100-175-250
- VOLTAGE:**
120v.-208v.-240v.-277v.
- REFRACTORS:** (optional)
81-6" glass type V
82-6" glass type III
83-8" glass type V
84-8" glass type II
- PHOTO CONTROL:** (optional)
10-120 volt only.
11-208/277 volt.

① S ② 7638BP ③ BLK ④ CP ⑤ 100 ⑥ 120 ⑦ 82 ⑧ 10

For post selection, see tabbed section P.
Accessories selection, see tabbed section A.

350 Kindig Lane, Hanover, PA 17331

Phone: (717) 632-6464

Fax: (717) 632-5039

Email: sales@hanoverlantern.com

Web: www.hanoverlantern.com

Hanover®

LANTERN

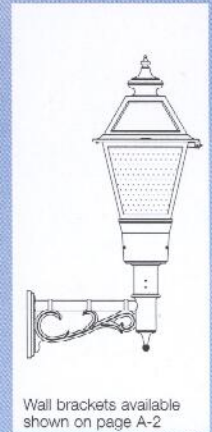
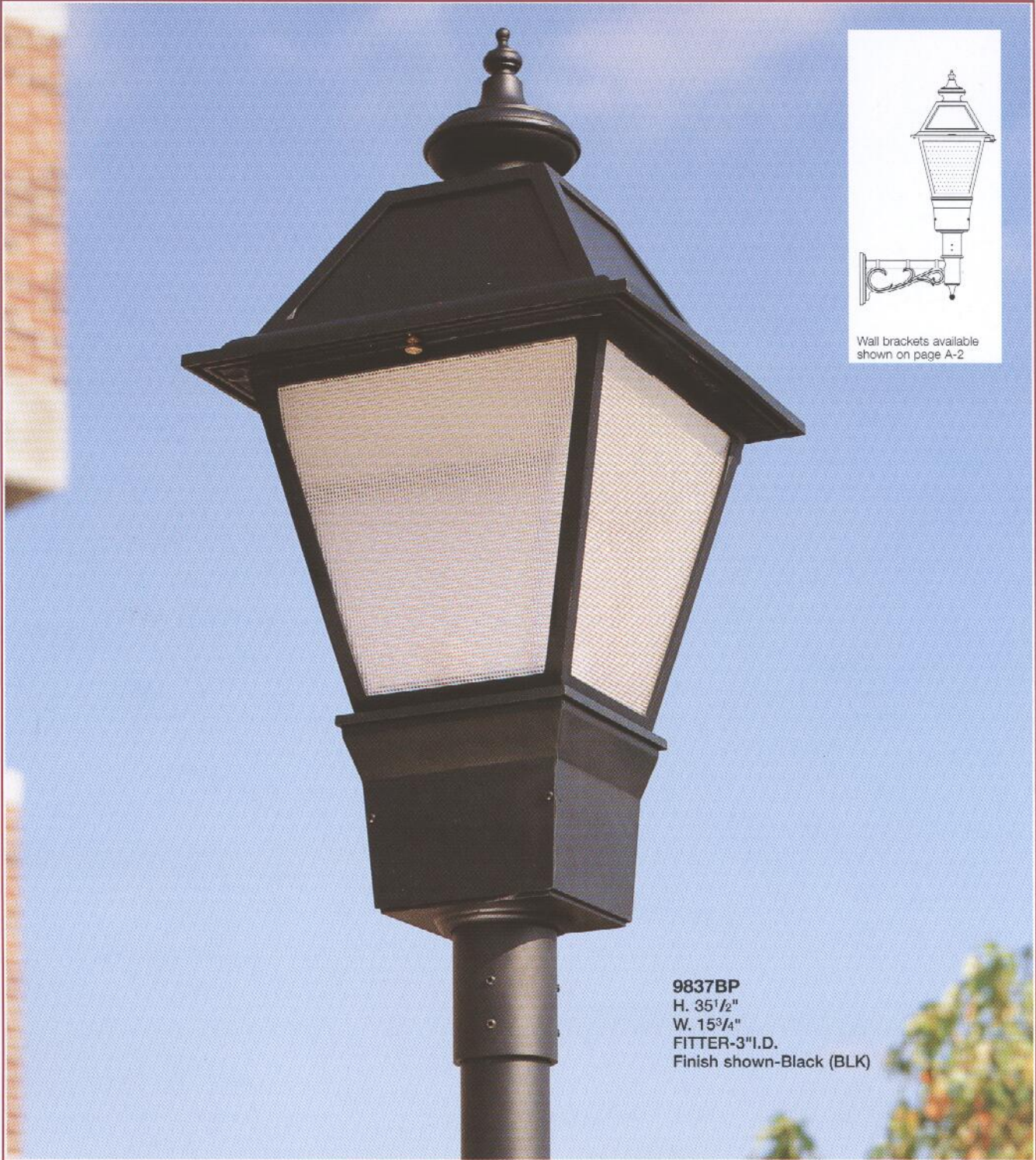
Handcrafted in the USA

RICHMOND

9810WA - 9811WA - 9832BP
9833BP - 9837BP - 9838BP - 9833C5

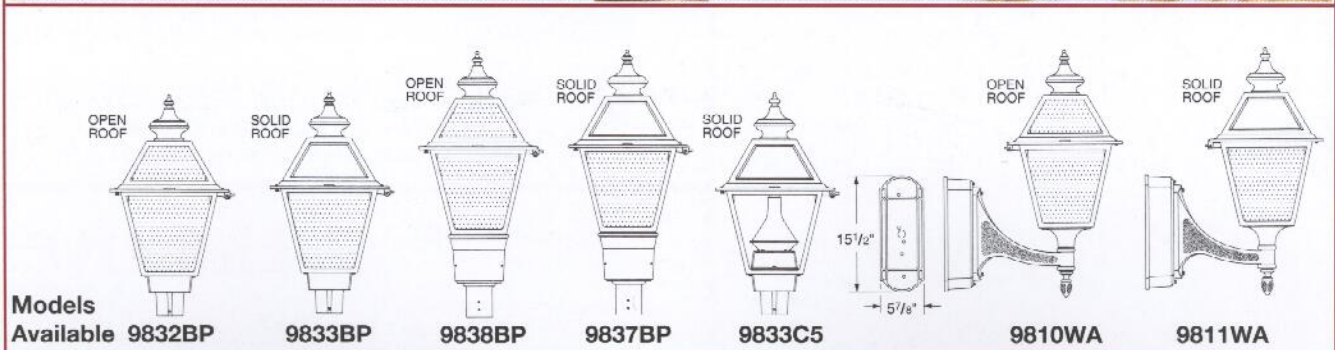
Sitescape®

SITE • ROADWAY • AREA LIGHTING



Wall brackets available shown on page A-2

9837BP
H. 35 1/2"
W. 15 3/4"
FITTER-3" I.D.
Finish shown-Black (BLK)



Models Available 9832BP

9833BP

9838BP

9837BP

9833C5

9810WA

9811WA

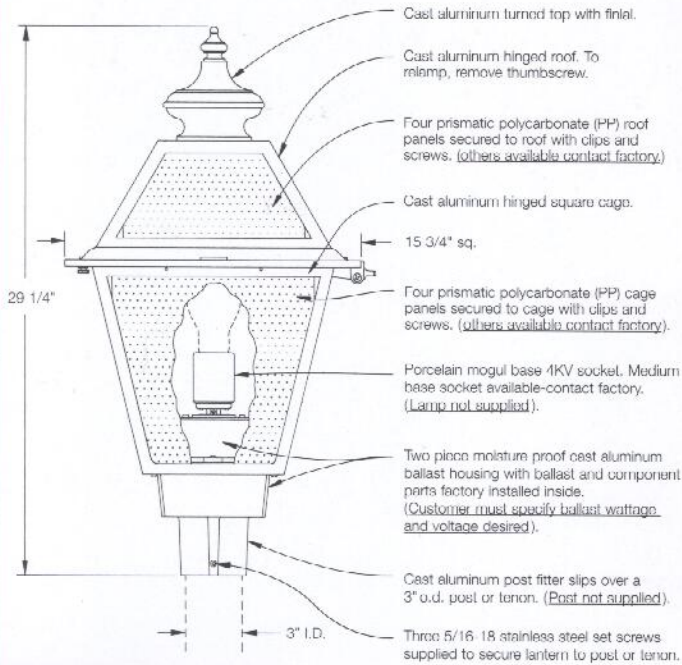
FIXTURE SELECTION

| Model | Height | Width | Fitter Dia./Proj. T/O | Max. Watts | Inc. | M.V. | H.P.S. | M.H. | E.P.A. |
|--------|---------|---------|-----------------------|------------|------|------|--------|------|--------|
| 9832BP | 29 1/4" | 15 3/4" | 3" I.D. | 250w | 250w | 175w | 150w | 175w | 1.96 |
| 9833BP | 29 1/4" | 15 3/4" | 3" I.D. | 250w | 250w | 175w | 150w | 175w | 1.96 |
| 9838BP | 35 1/2" | 15 3/4" | 3" I.D. | 250w | 250w | 175w | 250w | 250w | 1.96 |
| 9837BP | 35 1/2" | 15 3/4" | 3" I.D. | 250w | 250w | 175w | 250w | 250w | 1.96 |
| 9833C5 | 29 1/4" | 15 3/4" | 3" I.D. | 250w | 250w | 175w | 150w | 175w | 1.96 |
| 9810WA | 33 7/8" | 15 7/8" | 24 7/8" | 250w | 250w | 175w | 150w | 175w | |
| 9811WA | 33 7/8" | 15 7/8" | 24 7/8" | 250w | 250w | 175w | 150w | 175w | |

SPECIFICATIONS

MODEL No. shown **9832BP**

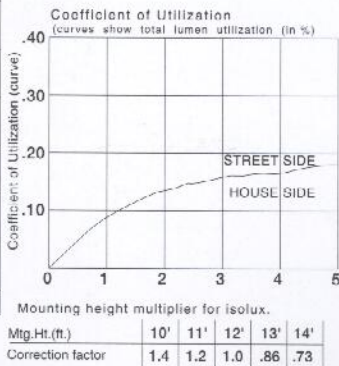
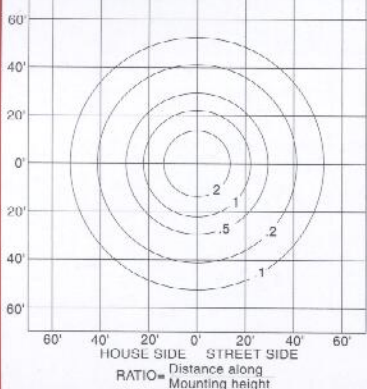
E.P.A. - 1.96
Max. Wt. 33 lbs



PHOTOMETRIC DATA

Symmetric Distribution

Fixture: 9832BP
Lamp: 150w H.P.S.
Lamp Lumens: 16,000
Optics: Type V
Mounting Height: 12'
Panels: Prismatic polycarbonate



FEATURES

SOURCES: (factory installed, prewired and tested).

- INC.-(incandescent) 250 watt max.
- MV-(mercury vapor) 50-75-100-175 250 watt.
- S (high pressure sodium) 35-50-70-100-150-250 watt.
- MH-(metal halide) 70-100-175-250 watt.

FINISHES:

All Hanover Lantern finishes available, see page 3 for selection.

PANELS:

- CA-Clear acrylic.
- CP-Clear polycarbonate, UV stabilized.
- OA-Opal acrylic.
- OP-Opal polycarbonate, UV stabilized.
- PP-Prismatic polycarbonate, UV stabilized.

VOLTAGES:

120-208-240-277-QUAD (contact factory for availability)

REFRACTORS:

- No. **81**-6" borosilicate glass, type V distribution.
- No. **82**-6" borosilicate glass, type III distribution.
- No. **83**-8" borosilicate glass, type V distribution.
- No. **84**-8" borosilicate glass, type II distribution.

PHOTO CONTROL: (optional) factory installed.

- No. **10**-120 volt only.
- No. **11**-208 to 277 volt. (Must be installed in post only).

ORDERING GUIDE

To ensure prompt and efficient processing of your order, please follow the sequence listed in the example below.

- SOURCE:**
INC.-incandescent
MV-mercury vapor
S-high pressure sodium
MH-metal halide
- MODEL NO.:**
9832BP 9810WA
9833BP 9811WA
9837BP 9833C5
9838BP
- FINISH:**
See page 3 for selection.
- PANELS:**
CA-clear acrylic
CP-clear polycarbonate
OA-opal acrylic
OP-opal polycarbonate
PP-prismatic polycarbonate
- WATTAGE:**
MV-50-75-100-175-250
S-35-50-70-100-150-250
MH-70-100-175-250
- VOLTAGE:**
120v.-208v.-240v.-277v.
- REFRACTORS: (optional)**
81-6" glass type V
82-6" glass type III
83-8" glass type V
84-8" glass type II
- PHOTO CONTROL: (optional)**
10-120 volt only.
11-208/277 volt.

① S ② 9832BP ③ BLK ④ CP ⑤ 100 ⑥ 120 ⑦ 83 ⑧ 10

For post selection, see tabbed section P.
Accessories selection, see tabbed section A.

350 Kindig Lane, Hanover, PA 17331

Phone: (717) 632-6464

Fax: (717) 632-5039

Email: sales@hanoverlantern.com

Web: www.hanoverlantern.com

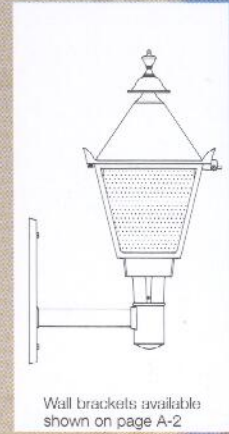
Hanover®
LANTERN
Handcrafted in the USA

OXFORD

2711WA - 2732BP - 2738BP - 2732C5

Sitescape®

SITE • ROADWAY • AREA LIGHTING



2732BP
H. 30³/₄"
W. 15³/₄"
FITTER-3" I.D.
Finish shown-Verde Copper (VCP)



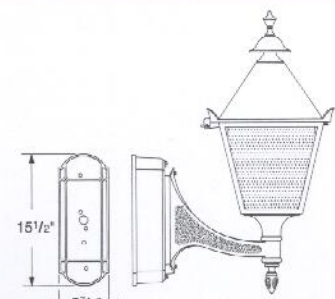
2732BP



2732C5



2738BP



2711WA

Models Available

FIXTURE SELECTION

TOP VIEW

2 1/2" MIN. TENON LENGTH FOR 2700 SERIES

HEIGHT:
WIDTH:
FITTER DIA./PROJ.:
T/O:

GLASS REFRACTORS AVAILABLE:
6" TYPE III OR V
8" TYPE II OR V

2732BP
250w
175w
150w
175w
1.22

CONE OPTIC REFLECTOR SYSTEM TYPE V
MEDIUM BASE SOCKET ONLY

2732C5
250w
100w
160w
175w
1.22

GLASS REFRACTORS AVAILABLE:
6" TYPE III OR V
8" TYPE II OR V

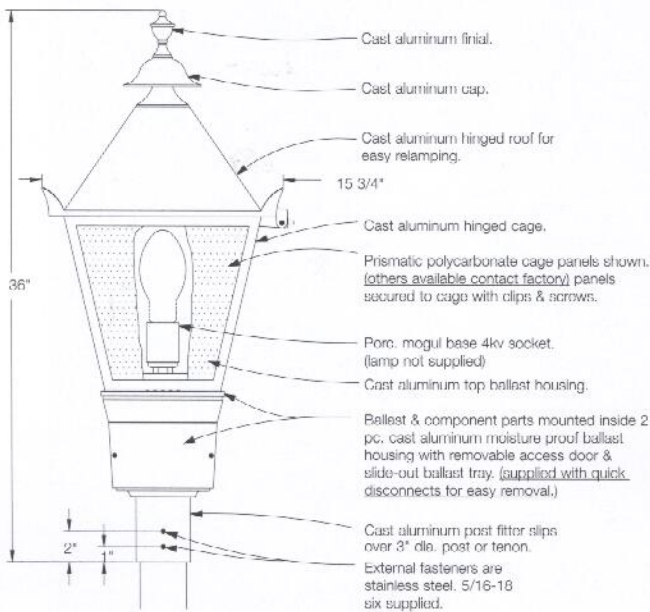
2738BP
250w
250w
250w
250w
1.22

2711WA
250w
175w
150w
175w

SPECIFICATIONS

MODEL No. shown **2738BP**

E.P.A. 1.22
Max. Wt. 42 lbs



FEATURES

SOURCES: (factory installed, prewired and tested).

- INC.**-(incandescent) 250 watt max.
- MV**-(mercury vapor) 50-75-100-175-250 watt.
- S** (high pressure sodium) 35-50-70-100-150-250 watt.
- MH**-(metal halide) 70-100-175-250 watt.

FINISHES:

All Hanover Lantern finishes available, see page 3 for selection.

PANELS:

- CA**-Clear acrylic.
- CP**-Clear polycarbonate, UV stabilized.
- OA**-Opal acrylic.
- OP**-Opal polycarbonate, UV stabilized.
- PP**-Prismatic polycarbonate, UV stabilized.

VOLTAGES:

120-208-240-277-QUAD (contact factory for availability)

REFRACTORS:

- No. **81** 6" borosilicate glass, type V distribution.
- No. **82**-6" borosilicate glass, type III distribution.
- No. **83**-8" borosilicate glass, type V distribution.
- No. **84**-8" borosilicate glass, type II distribution.

PHOTO CONTROL: (optional) factory installed.

- No. **10** 120 volt only.
- No. **11**-208 to 277 volt. (Must be installed in post only).

ORDERING GUIDE

To ensure prompt and efficient processing of your order, Please follow the sequence listed in the example below.

- ① **SOURCE:**
INC.-incandescent
MV-mercury vapor
S-high pressure sodium
MH-metal halide
- ② **MODEL NO.:**
2732BP 2732C5
2738BP
2711WA
- ③ **FINISH:**
See page 3 for selection.
- ④ **PANELS:**
CA-clear acrylic
CP-clear polycarbonate
OA-opal acrylic
OP-opal polycarbonate
PP-prismatic polycarbonate
- ⑤ **WATTAGE:**
MV-50-75-100-175-250
S-35-50-70-100-150-250
MH-70-100-175-250
- ⑥ **VOLTAGE:**
120v.-208v.-240v.-277v.
- ⑦ **REFRACTORS:** (optional)
81-6" glass type V
82-6" glass type III
83-8" glass type V
84-8" glass type II
- ⑧ **PHOTO CONTROL:** (optional)
10-120 volt only.
11-208/277 volt.

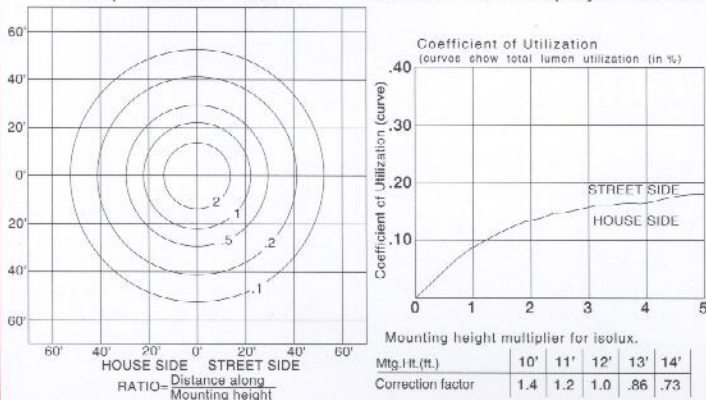
① S ② 2732BP ③ A ④ CP ⑤ 100 ⑥ 120 ⑦ 83 ⑧ 10

For post selection, see tabbed section P.
Accessories selection, see tabbed section A.

PHOTOMETRIC DATA

Symmetric Distribution

Fixture: 2732BP Optics: Type V
Lamp: 150w H.P.S. Mounting Height: 12'
Lamp Lumens: 16,000 Panels: Prismatic polycarbonate



350 Kindig Lane, Hanover, PA 17331

Phone: (717) 632-6464
Fax: (717) 632-5039
Email: sales@hanoverlantern.com
Web: www.hanoverlantern.com

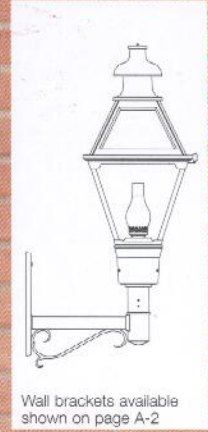
Hanover®
LANTERN
Handcrafted in the USA

CHARLESTON

1229BP - 1229C5 - 1229R3 - 1230BP
 1237BP - 1237C5 - 1237R3 - 1238BP

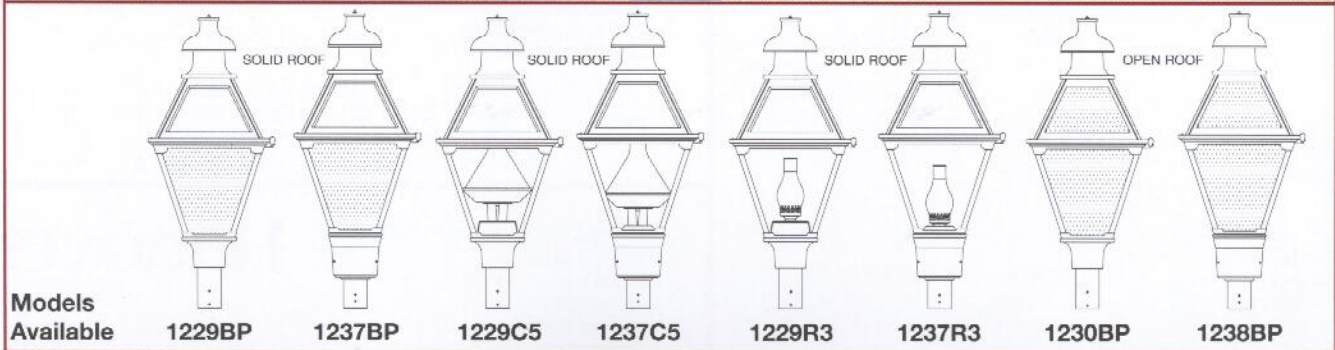
Sitescape®

SITE • ROADWAY • AREA LIGHTING



Wall brackets available shown on page A-2

1230BP
 H. 43 1/2"
 W. 18 1/4"
 FITTER-3" I.D.
 Finish shown-Black (BLK)



Models Available

1229BP

1237BP

1229C5

1237C5

1229R3

1237R3

1230BP

1238BP

CHARLESTON

1229BP - 1229C5 - 1229R3 - 1230BP
1237BP - 1237C5 - 1237R3 - 1238BP

Sitescape®

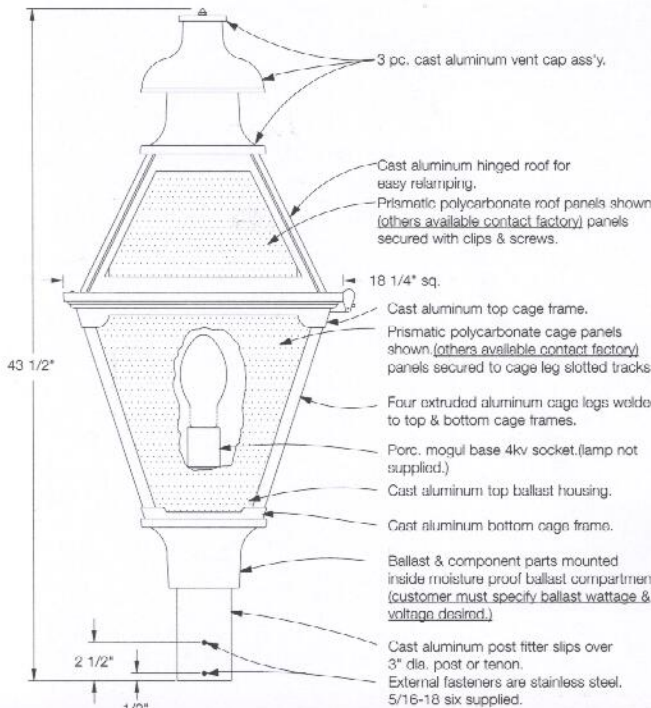
SITE • ROADWAY • AREA LIGHTING

FIXTURE SELECTION

| FIXTURE NO. | 1229BP | 1237BP | 1229C5 | 1237C5 | 1229R3 | 1237R3 | 1230BP | 1238BP |
|-------------------|--------|--------|--------|--------|--------|--------|--------|--------|
| MAX. WATTS - INC. | 250w | 250w | 250w | 250w | 250w | 250w | 250w | 250w |
| M.V. | 175w | 250w | 175w | 250w | 175w | 250w | 175w | 250w |
| H.P.S. | 150w | 250w | 150w | 250w | 150w | 250w | 150w | 250w |
| M.H. | 175w | 250w | 175w | 250w | 175w | 250w | 175w | 250w |
| E.P.A. | 3.26 | 3.26 | 3.26 | 3.26 | 3.26 | 3.26 | 3.26 | 3.26 |

SPECIFICATIONS

MODEL No. shown 1230BP E.P.A. - 3.26 Max. Wt. 46 lbs



FEATURES

SOURCES: (factory installed, prewired and tested).
INC.-(incandescent) 250 watt max.
MV-(mercury vapor) 50-75-100-175-250 watt.
S-(high pressure sodium) 35-50-70-100-150-250 watt.
MH-(metal halide) 70-100-175-250 watt.

FINISHES:
 All Hanover Lantern finishes available, see page 3 for selection.

PANELS
CA-Clear acrylic.
CP-Clear polycarbonate, UV stabilized.
OA-Opal acrylic.
OP-Opal polycarbonate, UV stabilized.
PP-Prismatic polycarbonate, UV stabilized.

VOLTAGES:
 120 208 240 277 QUAD (contact factory for availability)

REFRACTORS:
 No. 81-6" borosilicate glass, type V distribution.
 No. 82-6" borosilicate glass, type III distribution.
 No. 83-8" borosilicate glass, type V distribution.
 No. 84-8" borosilicate glass, type II distribution.

PHOTO CONTROL: (optional) factory installed.
 No. 10-120 volt only.
 No. 11-208 to 277 volt. (Must be installed in post only).

ORDERING GUIDE

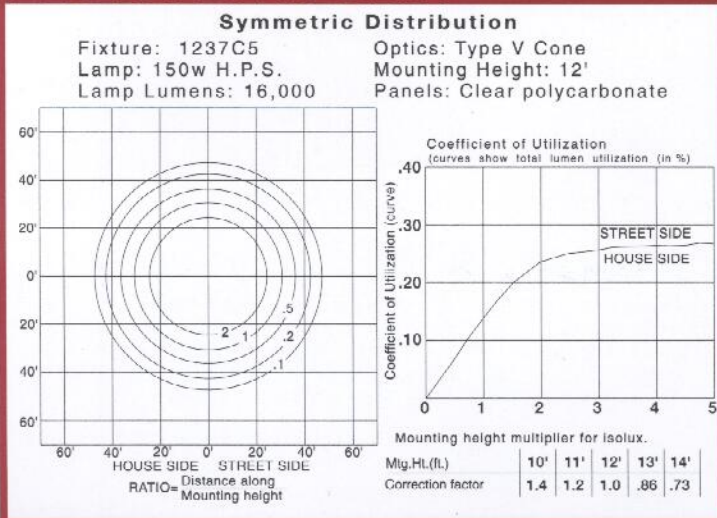
To ensure prompt and efficient processing of your order, Please follow the sequence listed in the example below.

- SOURCE:**
 INC-incandescent
 MV-mercury vapor
 S-high pressure sodium
 MH-metal halide
- MODEL NO.:**
 1229BP 1237BP
 1229C5 1237C5
 1229R3 1237R3
 1230BP 1238BP
- FINISH:**
 See page 3 for selection.
- PANELS:**
 CA-Clear acrylic.
 CP-Clear polycarbonate
 OA-Opal acrylic.
 OP-Opal polycarbonate
 PP-Prismatic polycarbonate
- WATTAGE:**
 MV-50-75-100-175-250
 S-35-50-70-100-150-250
 MH-70-100-175-250
- VOLTAGE:**
 120v.-208v.-240v.-277v.
- REFRACTORS:** (optional)
 81-6" glass type V
 82-6" glass type III
 83-8" glass type V
 84-8" glass type II
- PHOTO CONTROL:** (optional)
 10-120 volt only.
 11-208/277 volt.

① S ② 1230BP ③ BLK ④ CP ⑤ 100 ⑥ 120 ⑦ 83 ⑧ 10

For post selection, see tabbed section P.
 Accessories selection, see tabbed section A.

PHOTOMETRIC DATA



350 Kindig Lane, Hanover, PA 17331
 Phone: (717) 632-6464
 Fax: (717) 632-5039
 Email: sales@hanoverlantern.com
 Web: www.hanoverlantern.com

Hanover®
 LANTERN
 Handcrafted in the USA

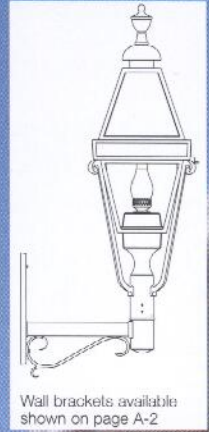
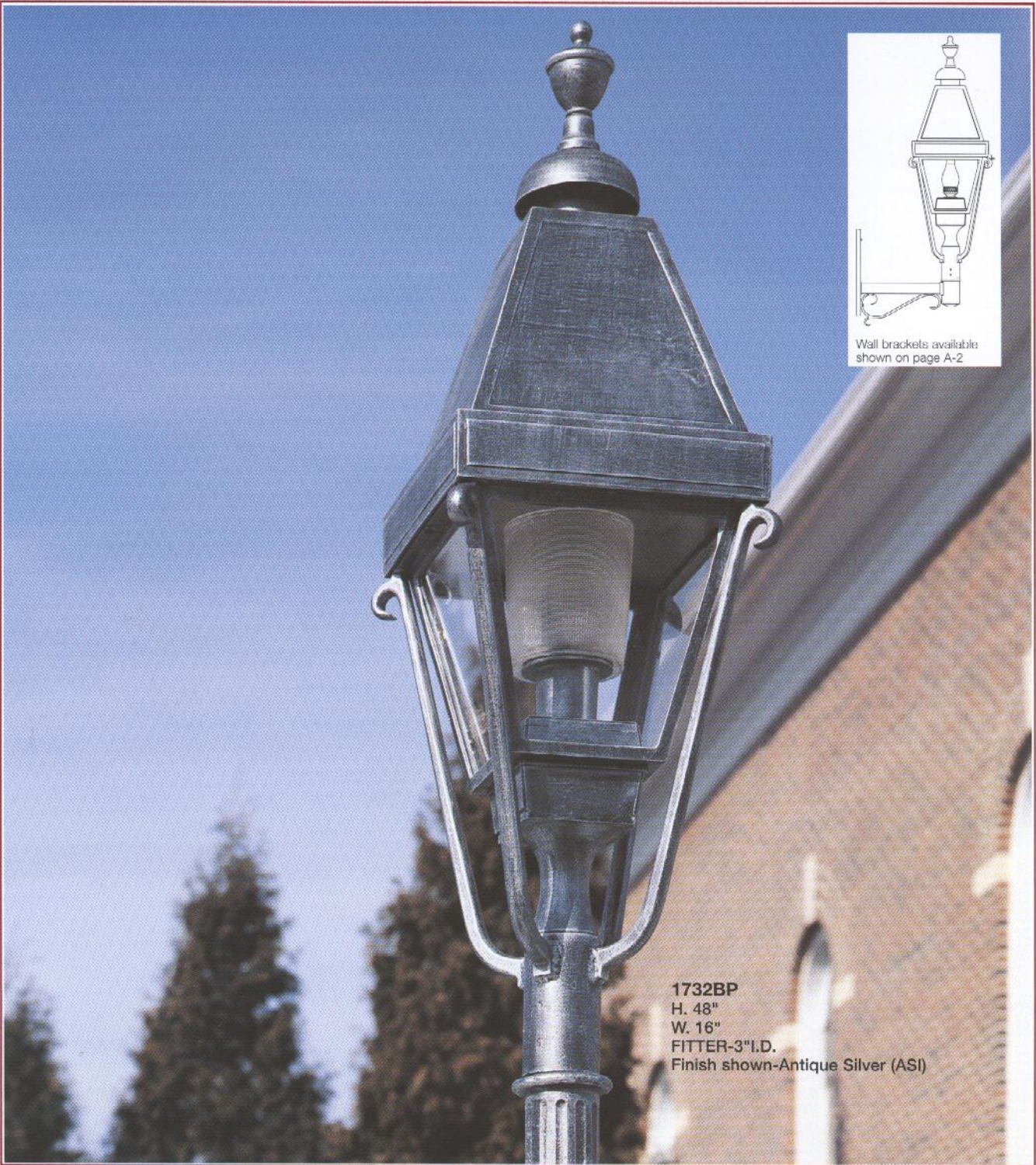
HAMPSHIRE

1732BP - 1732R3 - 1732R5

1738BP - 9710WA - 9732BP

Sitescape®

SITE • ROADWAY • AREA LIGHTING



Wall brackets available shown on page A-2

1732BP
H. 48"
W. 16"
FITTER-3" I.D.
Finish shown-Antique Silver (ASI)



1732BP



1732R3



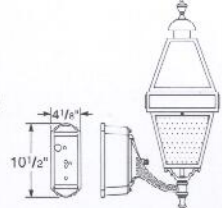
1732R5



1738BP



9732BP



9710WA

Models Available

HAMPSHIRE

1732BP - 1732R3 - 1732R5
1738BP - 9710WA - 9732BP

Sitescape®

SITE • ROADWAY • AREA LIGHTING

FIXTURE SELECTION

TOP VIEW

2 1/2" MIN. TENON LENGTH FOR 1700 SERIES

HEIGHT:
WIDTH:
FITTER DIA./PROJ. T/O:

FIXTURE NO.
MAX. WATTS -

GLASS REFRACTORS AVAILABLE
6" TYPE III OR V
8" TYPE II OR V

48"
16"
3" I.D.

1732BP
250w
175w
150w
175w
3.30

ROOF MOUNTED REFLECTOR SYSTEM TYPE III

48"
16"
3" I.D.

1732R3
250w
175w
150w
175w
3.30

ROOF MOUNTED REFLECTOR SYSTEM TYPE V

48"
16"
3" I.D.

1732R5
250w
175w
150w
175w
3.30

GLASS REFRACTORS AVAILABLE
6" TYPE III OR V
8" TYPE II OR V

SLIDE-OUT BALLAST TRAY W/QUICK DISCONNECTS

48"
15"
3" I.D.

1738BP
250w
250w
250w
250w
3.30

GLASS REFRACTOR AVAILABLE 4" TYPE V

32 1/2"
11"
3" I.D.

9732BP
100w
100w
100w
70w
2.52

GLASS REFRACTOR AVAILABLE 4" TYPE V

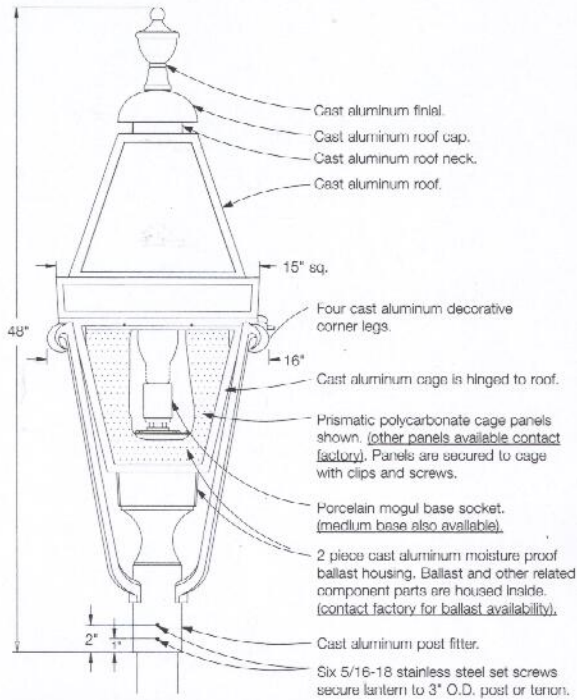
31 5/8"
10 3/4"
17 1/2"
23 7/8"

9710WA
100w
100w
70w
70w

SPECIFICATIONS

MODEL No. shown 1732BP

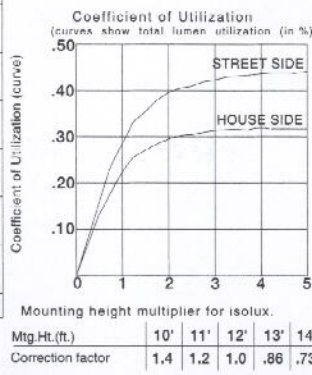
E.P.A. - 3.30
Max. Wt. 56 lbs



PHOTOMETRIC DATA

Asymmetric Distribution

Fixture: 1732R3
Lamp: 150w H.P.S.
Lamp Lumens: 16,000
Optics: Type III Cutoff
Mounting Height: 12'
Panels: Clear polycarbonate



FEATURES

SOURCES: (factory installed, prewired and tested).

- INC.-(incandescent) 250 watt max.
- MV-(mercury vapor) 50-75-100-175-250 watt.
- S-(high pressure sodium) 35-50-70-100-150-250 watt.
- MH (metal halide) 50-70-100-175-250 watt.

FINISHES:

All Hanover Lantern finishes available, see page 3 for selection.

PANELS:

- CA Clear acrylic.
- CP-Clear polycarbonate, UV stabilized.
- OA-Opal acrylic.
- OP-Opal polycarbonate, UV stabilized.
- PP-Prismatic polycarbonate, UV stabilized.

VOLTAGES:

120-208-240-277-QUAD (contact factory for availability)

REFRACTORS:

- No. 80-4" borosilicate glass, type V distribution. (9700 series only)
- No. 81-6" borosilicate glass, type V distribution.
- No. 82-6" borosilicate glass, type III distribution.
- No. 83-8" borosilicate glass, type V distribution.
- No. 84-8" borosilicate glass, type II distribution.

PHOTO CONTROL: (optional) factory installed.

- No. 10-120 volt only.
- No. 11 208 to 277 volt. (Must be installed in post only).

ORDERING GUIDE

To ensure prompt and efficient processing of your order, Please follow the sequence listed in the example below.

- ① **SOURCE:**
INC.-incandescent
MV-mercury vapor
S-high pressure sodium
MH-metal halide
- ② **MODEL NO.:**
1732BP 9732BP
1732R3 9710WA
1732R5
1738BP
- ③ **FINISH:**
See page 3 for selection.
- ④ **PANELS:**
CA-clear acrylic
CP-clear polycarbonate
OA-opal acrylic
OP-opal polycarbonate
PP-prismatic polycarbonate
- ⑤ **WATTAGE:**
MV-50-75-100-175-250
S-35-50-70-100-150-250
MH-50-70-100-175-250
- ⑥ **VOLTAGE:**
120v.-208v.-240v.-277v.
- ⑦ **REFRACTORS: (optional)**
80-4" glass type V
81-6" glass type V
82-6" glass type III
83-8" glass type V
84-8" glass type II
- ⑧ **PHOTO CONTROL: (optional)**
10-120 volt only.
11-208/277 volt.

① S ② 1732BP ③ BLK CP ④ 100 ⑤ 120 ⑦ 83 ⑧ 10

For post selection, see tabbed section P.
Accessories selection, see tabbed section A.

350 Kindig Lane, Hanover, PA 17331
Phone: (717) 632-6464
Fax: (717) 632-5039
Email: sales@hanoverlantern.com
Web: www.hanoverlantern.com

Hanover®
LANTERN
Handcrafted in the USA

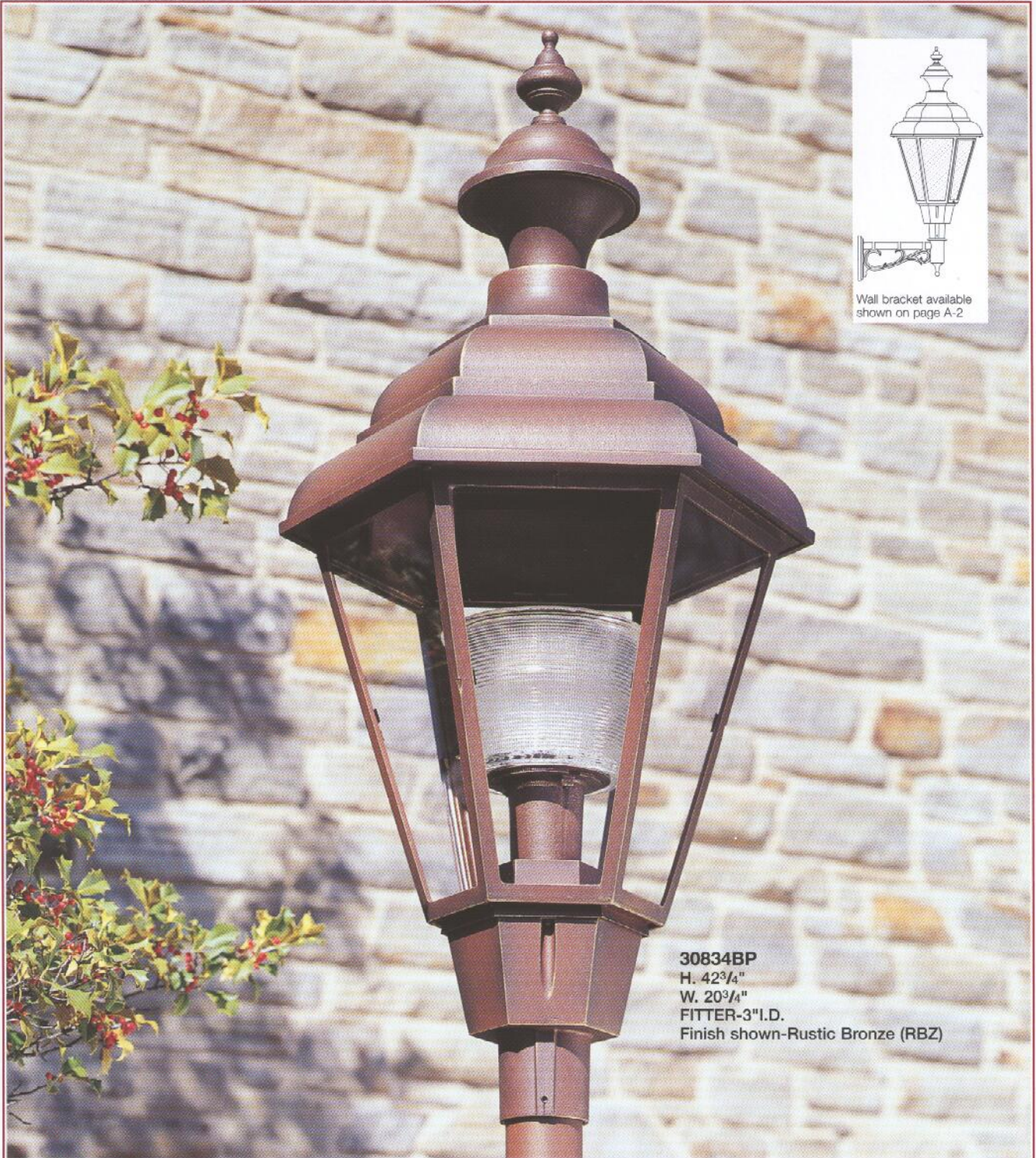
GRANDE JAMESTOWN

30810WA - 3082OCC - 30834BP - 30834C5

30834R3 - 30835BP - 30835C5 - 30835R3

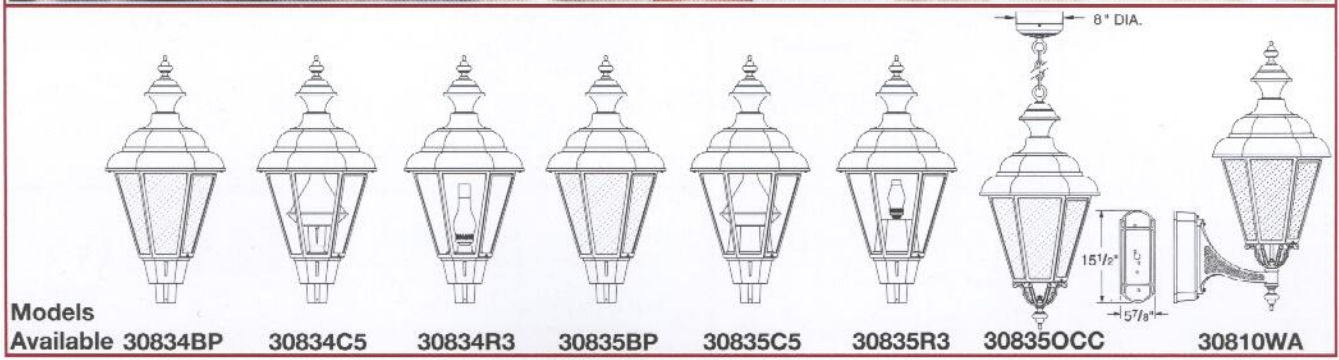
Sitescape®

SITE • ROADWAY • AREA LIGHTING



Wall bracket available shown on page A-2

30834BP
 H. 42³/₄"
 W. 20³/₄"
 FITTER-3" I.D.
 Finish shown-Rustic Bronze (RBZ)



Models

- Available 30834BP 30834C5 30834R3 30835BP 30835C5 30835R3 30835OCC 30810WA

GRANDE JAMESTOWN

3080WA - 3082OCC - 30834BP - 30834C5
30834R3 - 30835BP - 30835C5 - 30835R3

Sitescape®

SITE • ROADWAY • AREA LIGHTING

FIXTURE SELECTION

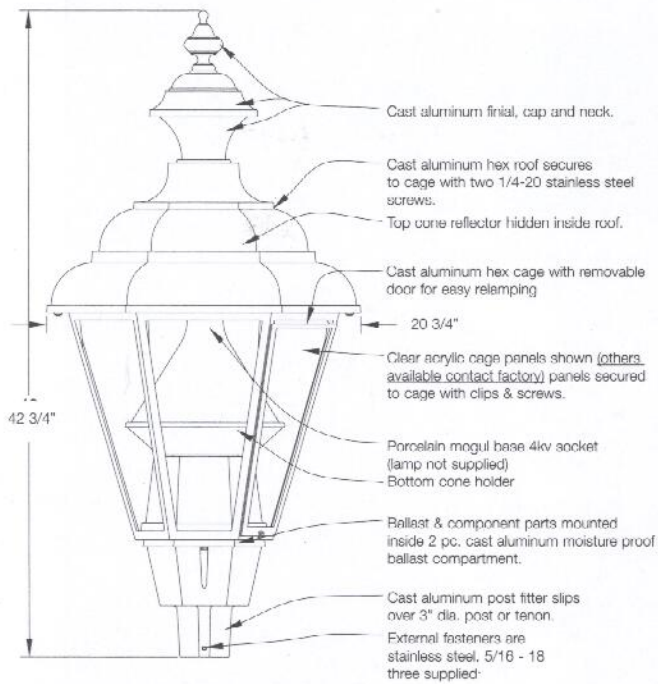
2 1/2" MIN. TENON LENGTH FOR 30800 SERIES

| HEIGHT: | 42 3/4" | 42 3/4" | 42 3/4" | 42 3/4" | 42 3/4" | 42 3/4" | 63 3/8" | 46 1/2" | |
|---|------------------------------------|----------------|--|---|----------------|------------------------------------|----------------|--------------------------------------|---|
| WIDTH: | 20 3/4" | 20 3/4" | 20 3/4" | 20 3/4" | 20 3/4" | 20 3/4" | 20 3/4" | 20 3/4" | |
| FITTER DIA./PROJ. T/O: | 3" I.D. | 3" I.D. | 3" I.D. | 3" I.D. | 3" I.D. | 3" I.D. | 3" I.D. | 26 1/8" / 37 1/4" | |
| GLASS REFRACTORS AVAILABLE 6" TYPE III OR V 8" TYPE II OR V | CONE OPTIC REFLECTOR SYSTEM TYPE V | | ROOF MOUNTED REFLECTOR SYSTEM TYPE III | GLASS REFRACTORS AVAILABLE 6" TYPE III OR V 8" TYPE II OR V | | CONE OPTIC REFLECTOR SYSTEM TYPE V | | ROOF MOUNTED REFLECTOR SYSTEM TYPE V | GLASS REFRACTORS AVAILABLE 6" TYPE III OR V 8" TYPE II OR V |
| FIXTURE NO. | 30834BP | 30834C5 | 30834R3 | 30835BP | 30835C5 | 30835R3 | 3082OCC | 30810WA | |
| MAX. WATTS - INC. | 250w | 250w | 250w | 250w | 250w | 250w | 250w | 250w | |
| M.V. | 175w | 175w | 175w | 175w | 250w | 250w | 250w | 250w | |
| H.P.S. | 150w | 150w | 150w | 250w | 250w | 250w | 150w | 150w | |
| M.H. | 175w | 175w | 175w | 250w | 250w | 250w | 175w | 175w | |
| E.P.A. | 2.60 | 2.60 | 2.60 | 2.60 | 2.60 | 2.60 | | | |

SPECIFICATIONS

MODEL No. shown **30835C5**

E.P.A. - 2.60
Max. Wt. 47 lbs



FEATURES

SOURCES: (factory installed, prewired and tested).

- INC.** (incandescent) 250 watt max.
- MV**-(mercury vapor) 50-75-100-175-250 watt.
- S**-(high pressure sodium) 35-50-70-100-150-250 watt.
- MH**-(metal halide) 70-100-175-250 watt.

FINISHES:

All Hanover Lantern finishes available, see page 3 for selection.

PANELS:

- CA** Clear acrylic
- CP**-Clear polycarbonate, UV stabilized.
- OA**-Opal acrylic
- OP**-Opal polycarbonate, UV stabilized
- PP**-Prismatic polycarbonate, UV stabilized.

VOLTAGES:

120-208-240-277-QUAD (contact factory for availability)

REFRACTORS:

- No. **81**-6" borosilicate glass, type V distribution.
- No. **82**-6" borosilicate glass, type III distribution.
- No. **83**-8" borosilicate glass, type V distribution.
- No. **84**-8" borosilicate glass, type II distribution.

PHOTO CONTROL: (optional) factory installed.

- No. **10**-120 volt only.
- No. **11**-208 to 277 volt. (Must be installed in post only).

ORDERING GUIDE

To ensure prompt and efficient processing of your order, please follow the sequence listed in the example below.

- SOURCE:**
INC -incandescent
MV-mercury vapor
S-high pressure sodium
MH-metal halide
- MODEL NO.:**
30810WA 30834R3
3082OCC 30835BP
30834BP 30835R3
30834C5 30835R5
- FINISH:**
See page 3 for selection.
- PANELS:**
CA-clear acrylic
CP-clear polycarbonate
OA-opal acrylic
OP-opal polycarbonate
PP-prismatic polycarbonate
- WATTAGE:**
MV-50-75-100-175-250
S-35-50-70-100-150-250
MH-70-100-175-250
- VOLTAGE:**
120v.-208v.-240v.-277v.
- REFRACTORS:** (optional)
81-6" glass type V
82-6" glass type III
83-8" glass type V
84-8" glass type II
- PHOTO CONTROL:** (optional)
10-120 volt only.
11-208/277 volt.

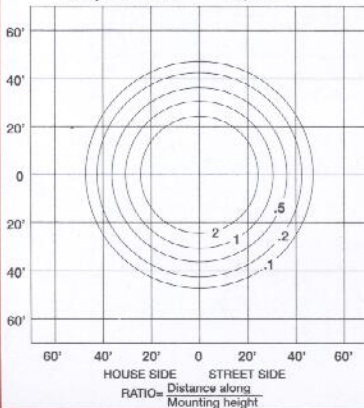
① S ② 30835BP ③ BLK ④ CP ⑤ 250 ⑥ 120 ⑦ 82 ⑧ 10

For post selection, see tabbed section P.
Accessories selection, see tabbed section A.

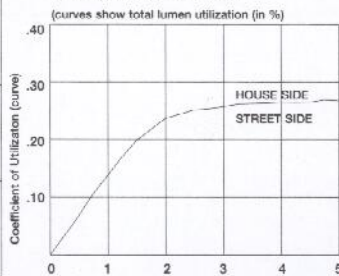
PHOTOMETRIC DATA

Asymmetric Distribution

Fixture: 30835C5
Lamp: 150w H.P.S.
Lamp Lumens: 16,000
Optics: Type V Cone
Mounting Height: 12'
Panels: Clear polycarbonate



Coefficient of Utilization



Mounting height multiplier for isolux.

| | | | | | |
|-------------------|-----|-----|-----|-----|-----|
| Mtg.Ht.(ft.) | 10' | 11' | 12' | 13' | 14' |
| Correction factor | 1.4 | 1.2 | 1.0 | .86 | .73 |

350 Kindig Lane, Hanover, PA 17331
Phone: (717) 632-6464
Fax: (717) 632-5039
Email: sales@hanoverlantern.com
Web: www.hanoverlantern.com

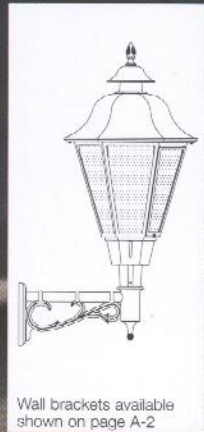
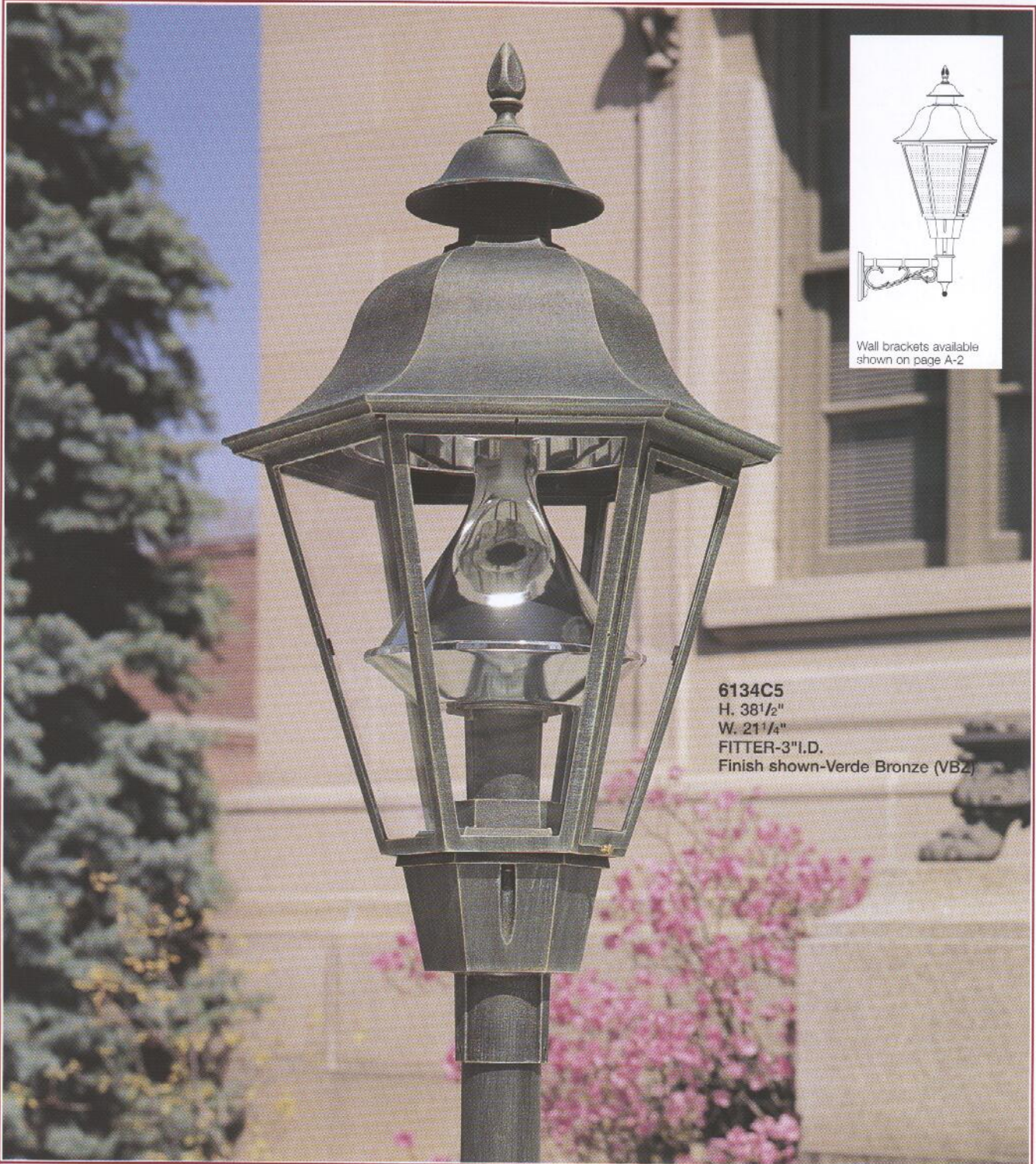
Hanover®
LANTERN
Handcrafted in the USA

GRANDE MANOR

6110WA - 6134BP - 6134C5 - 6134R3
6134R5 - 6135BP - 6135C5 - 6135R3

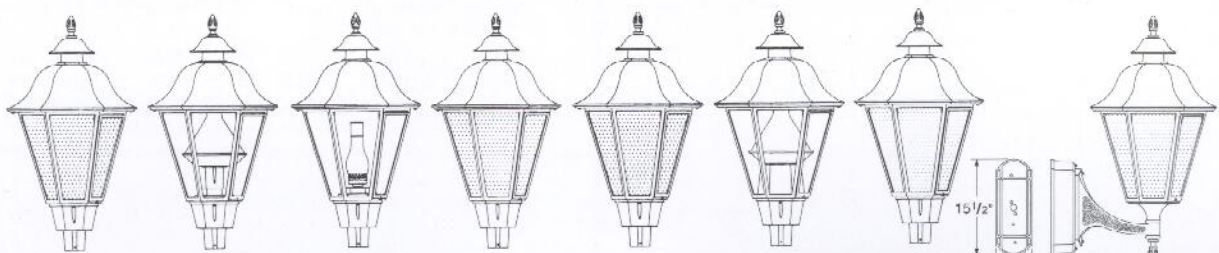
Sitescape®

SITE • ROADWAY • AREA LIGHTING



Wall brackets available shown on page A-2

6134C5
H. 38 1/2"
W. 21 1/4"
FITTER-3" I.D.
Finish shown-Verde Bronze (VBZ)



Models Available

6134BP

6134C5

6134R3

6134R5

6135BP

6135C5

6135R3

6110WA


GRANDE MANOR

6110WA - 6134BP - 6134C5 - 6134R3
6134R5 - 6135BP - 6135C5 - 6135R3

Sitescape®

SITE • ROADWAY • AREA LIGHTING

FIXTURE SELECTION



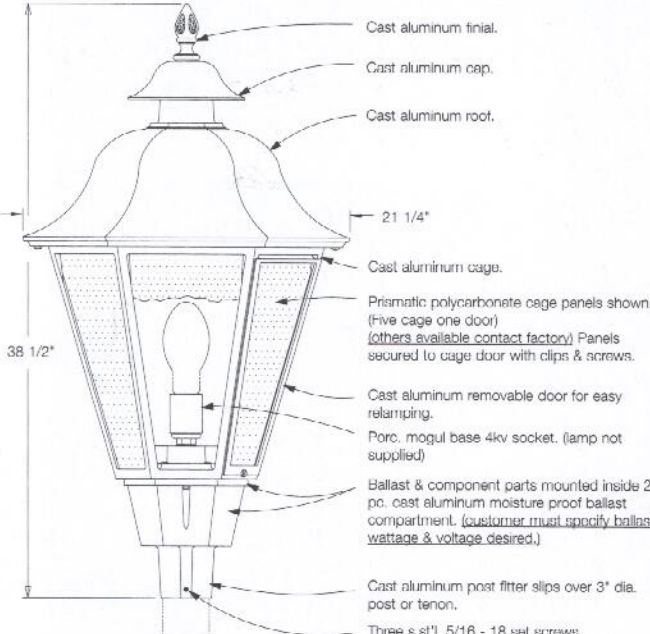
2 1/2" MIN. TENON LENGTH FOR 6100 SERIES

| FIXTURE NO. | 6134BP | 6134C5 | 6134R3 | 6134R5 | 6135BP | 6135C5 | 6135R3 | 6110WA |
|-------------------|--------|--------|--------|--------|--------|--------|--------|--------|
| MAX. WATTS - INC. | 250w | 250w | 250w | 250w | 250w | 250w | 250w | 250w |
| M.V. | 175w | 175w | 175w | 175w | 250w | 250w | 250w | 250w |
| H.P.S. | 150w | 150w | 150w | 150w | 250w | 250w | 250w | 150w |
| M.H. | 175w | 175w | 175w | 175w | 250w | 250w | 250w | 175w |
| E.P.A. | 2.60 | 2.60 | 2.60 | 2.60 | 2.60 | 2.60 | 2.60 | 2.60 |

SPECIFICATIONS

MODEL No. shown 6134BP

E.P.A. - 2.60
Max. Wt. 43 lbs



- Cast aluminum finial.
- Cast aluminum cap.
- Cast aluminum roof.
- 21 1/4"
- Cast aluminum cage.
- Prismatic polycarbonate cage panels shown. (Five cage one door) (others available contact factory) Panels secured to cage door with clips & screws.
- Cast aluminum removable door for easy relamping.
- Porc. mogul base 4kv socket. (lamp not supplied)
- Ballast & component parts mounted inside 2 pc. cast aluminum moisture proof ballast compartment. (customer must specify ballast wattage & voltage desired.)
- Cast aluminum post filter slips over 3" dia. post or tenon.
- Three s.s't'l. 5/16 - 18 set screws.

FEATURES

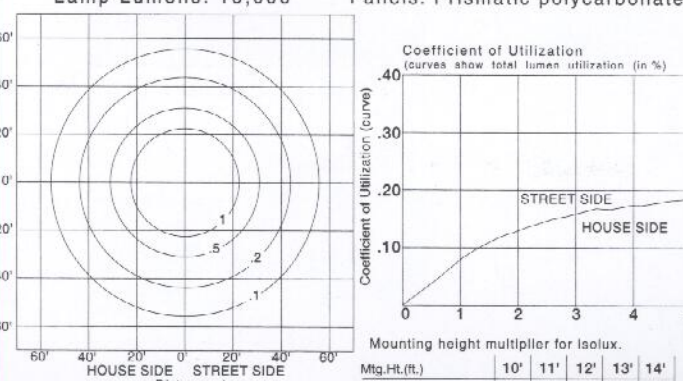
- SOURCES:** (factory installed, prewired and tested).
INC.-(incandescent) 250 watt max.
MV-(mercury vapor) 50-75-100-175-250 watt.
S (high pressure sodium) 35-50-70-100-150-250 watt.
MH-(metal halide) 70-100-175-250 watt.
- FINISHES:**
 All Hanover Lantern finishes available, see page 3 for selection.
- PANELS:**
CA-Clear acrylic.
CP-Clear polycarbonate, UV stabilized.
OA-Opal acrylic.
OP-Opal polycarbonate, UV stabilized.
PP-Prismatic polycarbonate, UV stabilized.
- VOLTAGES:**
 120-208-240-277-QUAD (contact factory for availability)
- REFRACTORS:**
 No. 81-6" borosilicate glass, type V distribution.
 No. 82-6" borosilicate glass, type III distribution.
 No. 83-8" borosilicate glass, type V distribution.
 No. 84-8" borosilicate glass, type II distribution.
- PHOTO CONTROL:** (optional) factory installed.
 No. 10-120 volt only.
 No. 11-208 to 277 volt. (Must be installed in post only).

PHOTOMETRIC DATA

Symmetric Distribution

Fixture: 6134BP
Lamp: 150w H.P.S.
Lamp Lumens: 16,000

Optics: Type V
Mounting Height: 12'
Panels: Prismatic polycarbonate



Mounting height multiplier for IsoLux.

| Mtg. Ht. (ft.) | 10' | 11' | 12' | 13' | 14' |
|-------------------|-----|-----|-----|-----|-----|
| Correction factor | 1.4 | 1.2 | 1.0 | .86 | .73 |

ORDERING GUIDE

To ensure prompt and efficient processing of your order, Please follow the sequence listed in the example below.

① **SOURCE:**
INC.-incandescent
MV-mercury vapor
S-high pressure sodium
MH-metal halide

② **MODEL NO.:**
 6110WA 6134R3 6135C5
 6134BP 6134R5 6135R3
 6134C5 6135BP

③ **FINISH:**
 See page 3 for selection.

④ **PANELS:**
CA clear acrylic
CP clear polycarbonate
OA opal acrylic
OP opal polycarbonate
PP prismatic polycarbonate

⑤ **WATTAGE:**
MV-50-75-100-175-250
S-35-50-70-100-150-250
MH-70-100-175-250

⑥ **VOLTAGE:**
 120v-208v-240v-277v.

⑦ **REFRACTORS:** (optional)
81-6" glass type V
82-6" glass type III
83-8" glass type V
84-8" glass type II

⑧ **PHOTO CONTROL:** (optional)
10-120 volt only,
11-208/277 volt.

① S ② 6134BP ③ BLK ④ CP ⑤ 100 ⑥ 120 ⑦ 83 ⑧ 10

For post selection, see tabbed section P.
 Accessories selection, see tabbed section A.

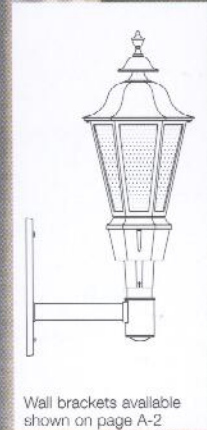
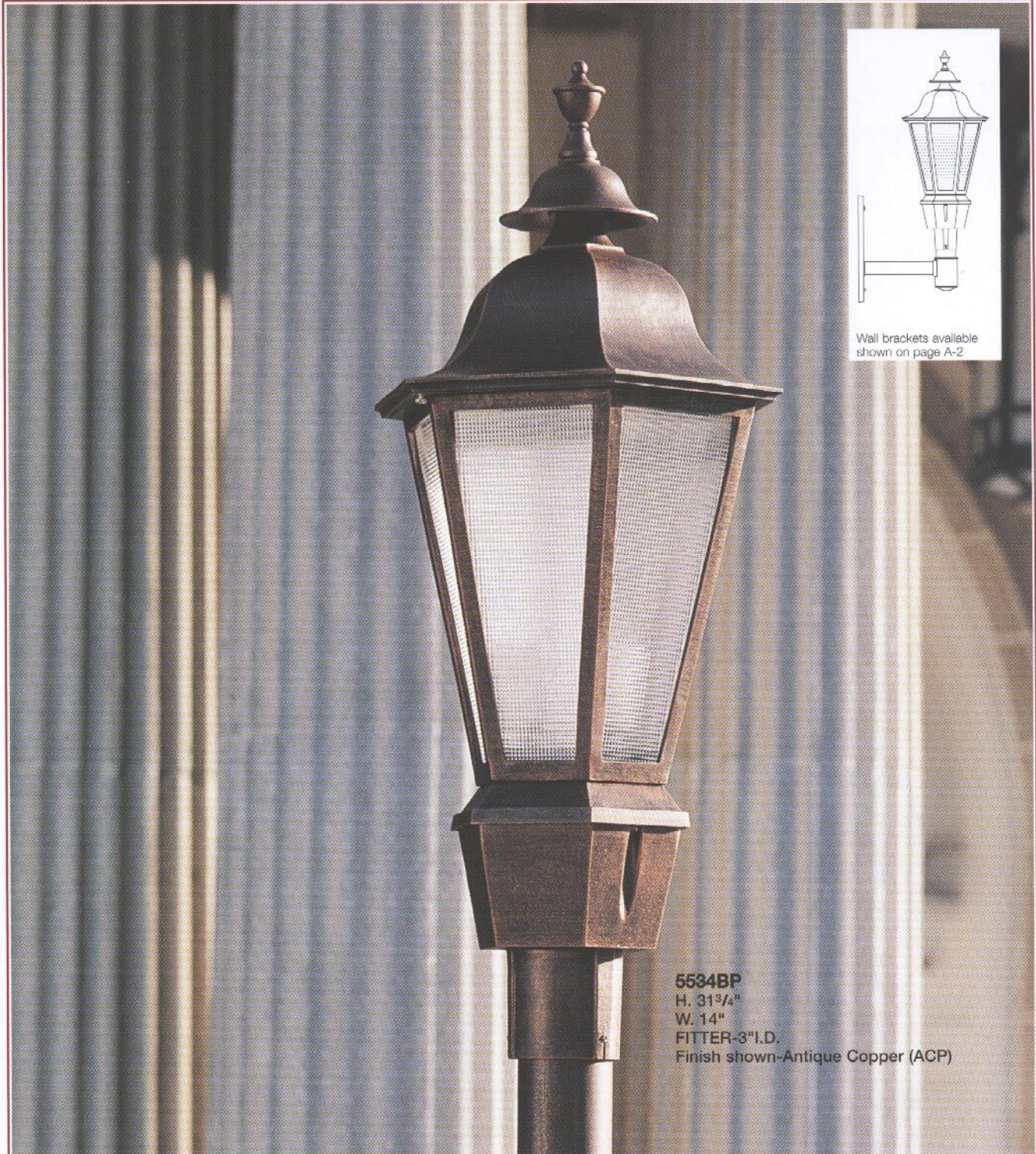
350 Kindig Lane, Hanover, PA 17331
 Phone: (717) 632-6464
 Fax: (717) 632-5039
 Email: sales@hanoverlantern.com
 Web: www.hanoverlantern.com

Hanover®
 LANTERN
 Handcrafted in the USA

MANOR HOUSE 4110WA - 5510WA - 5534BP
WESTMINSTER 6010WA - 6034BP
JAMESTOWN 9410WA - 9434BP

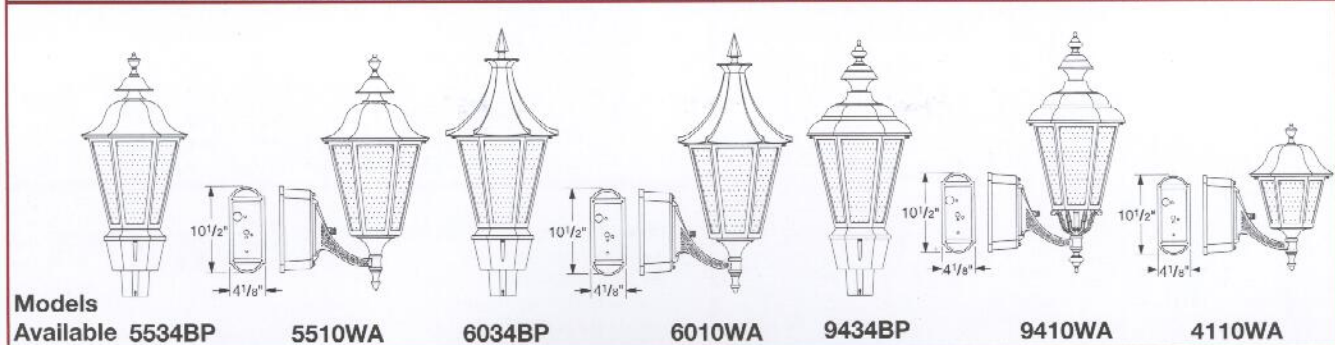
Sitescape®

SITE • ROADWAY • AREA LIGHTING



Wall brackets available shown on page A-2

5534BP
 H. 31³/₄"
 W. 14"
 FITTER-3" I.D.
 Finish shown-Antique Copper (ACP)



Models Available 5534BP

5510WA

6034BP

6010WA

9434BP

9410WA

4110WA

FIXTURE SELECTION

2 1/2" MIN. TENON LENGTH FOR 5500, 6000, 9400 SERIES

HEIGHT: 31 3/4"
 WIDTH: 14"
 FITTER DIA./PROJ. T/O: 3" I.D.

| FIXTURE NO. | MAX. WATTS - INC. | M.V. | H.P.S. | M.H. | F.P.A. |
|---------------|-------------------|------|--------|------|--------|
| 5534BP | 150w | 100w | 150w | 175w | 1.30 |
| 5510WA | 150w | 100w | 150w | 100w | |
| 6034BP | 150w | 100w | 150w | 175w | 1.35 |
| 6010WA | 150w | 100w | 150w | 100w | |
| 9434BP | 150w | 100w | 150w | 175w | 1.35w |
| 9410WA | 150w | 100w | 150w | 100w | |
| 4110WA | 100w | 100w | 100w | 100w | 70w |

SPECIFICATIONS

MODEL No. shown **5534BP**

E.P.A. - 1.30
 Max. Wt. 23 lbs

- Cast aluminum finial.
- Cast aluminum roof cap.
- Cast aluminum roof. Roof secures to cage with two brass thumbscrews. To relamp remove thumbscrews.
- Cast aluminum cage.
- Six (FP) prismatic polycarbonate cage panels shown. (Other panels available contact factory). Panels are secured to cage with clips and screws.
- Porcelain mogul base 4kv socket. (Medium base 4kv also available contact factory). Lamp not supplied.
- Ballast and component parts mounted inside 2pc. cast aluminum moisture proof ballast compartment. (Customer must specify ballast wattage and voltage desired).
- Three s. st'l. 5/16-18 set screws.
- Cast aluminum post fitter slips over 3" dia. post or tenon.

FEATURES

SOURCES: (factory installed, prewired and tested).
INC.-(incandescent) 150 watt max.
MV-(mercury vapor) 50-75-100 watt.
S-(high pressure sodium) 35-50-70-100-150 watt.
MH-(metal halide) 50-70-100-175 watt.

FINISHES:
 All Hanover Lantern finishes available, see page 3 for selection.

PANELS:
CA clear acrylic.
CP-clear polycarbonate, UV stabilized.
OA-opal acrylic.
OP-opal polycarbonate, UV stabilized.
PP-prismatic polycarbonate, UV stabilized.

VOLTAGES:
 120-208-240-277-QUAD (contact factory for availability)

REFRACTORS:
 No. **81**-6" borosilicate glass, type V distribution.
 No. **82**-6" borosilicate glass, type III distribution.

PHOTO CONTROL: (optional) factory installed.
 No. **10**-120 volt only.
 No. **11**-208 to 277 volt. (Must be installed in post only).

PHOTOMETRIC DATA

Symmetric Distribution

Fixture: 5534BP
 Lamp: 150w H.P.S.
 Lamp Lumens: 16,000

Optics: Type V
 Mounting Height: 12'
 Panels: Prismatic polycarbonate

Mounting height multiplier for isolux.

| Mtg.Ht.(ft.) | 10' | 11' | 12' | 13' | 14' |
|-------------------|-----|-----|-----|-----|-----|
| Correction factor | 1.4 | 1.2 | 1.0 | .86 | .73 |

ORDERING GUIDE

To ensure prompt and efficient processing of your order, Please follow the sequence listed in the example below.

- SOURCE:**
INC.-incandescent
MV-mercury vapor
S-high pressure sodium
MH-metal halide
- MODEL NO.:**
5534BP 9434BP
5510WA 9410WA
6034BP 4110WA
6010WA
- FINISH:**
 See page 3 for selection.
- PANELS:**
CA-clear acrylic
CP-clear polycarbonate
OA-opal acrylic
OP-opal polycarbonate
PP-prismatic polycarbonate
- WATTAGE:**
MV-50-75-100
S-35-50-70-100-150
MH 50-70-100-175
- VOLTAGE:**
 120v.-208v.-240v.-277v.
- REFRACTORS:** (optional)
81-6" glass type V
82-6" glass type III
- PHOTO CONTROL:** (optional)
10-120 volt only.
11-208/277 volt.

① S ② **5534BP** ③ **BLK** ④ **CP** ⑤ **100** ⑥ **120** ⑦ **81** ⑧ **10**

For post selection, see tabbed section P.
 Accessories selection, see tabbed section A.

350 Kindig Lane, Hanover, PA 17331
 Phone: (717) 632-6464
 Fax: (717) 632-5039
 Email: sales@hanoverlantern.com
 Web: www.hanoverlantern.com

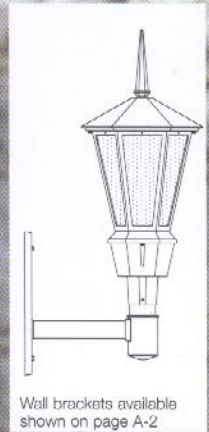
Hanover[®]
 LANTERN
 Handcrafted in the USA

CITADEL

6734BP - 67634BP - 67635BP

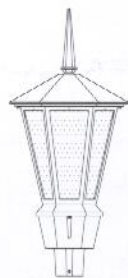
Sitescape®

SITE • ROADWAY • AREA LIGHTING

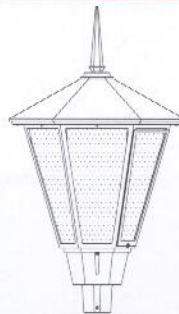


Wall brackets available shown on page A-2

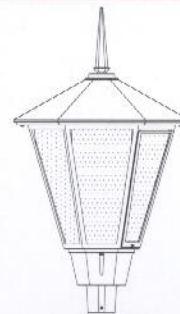
6734BP
H. 32 1/2"
W. 14 1/2"
FITTER-3" I.D.
Finish shown-Black (BLK)



6734BP



67634BP



67635BP

Models Available

FIXTURE SELECTION

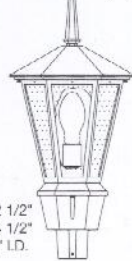


2 1/2" MIN. UNION LENGTH FOR 6700 & 67600 SERIES

HEIGHT:
WIDTH:
FITTER DIA.:

FIXTURE NO.
MAX. WATTS - INC.
M.V.
H.P.S.
M.H.
C.P.A.

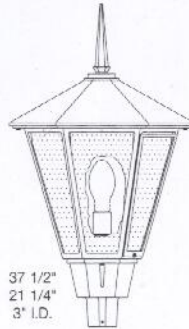
GLASS REFRACTORS AVAILABLE
6" TYPE III OR V



32 1/2"
14 1/2"
3" I.D.

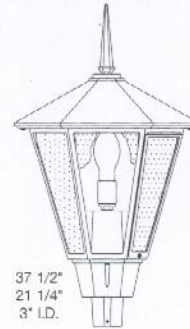
6734BP
150w
100w
150w
175w
1.24

GLASS REFRACTORS AVAILABLE
6" TYPE III OR V
8" TYPE II OR V



37 1/2"
21 1/4"
3" I.D.

67634BP
250w
175w
150w
175w
2.60



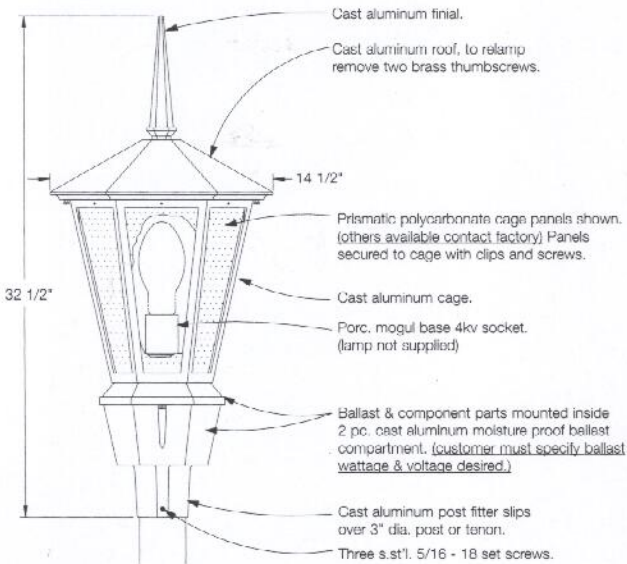
37 1/2"
21 1/4"
3" I.D.

67635BP
250w
250w
250w
250w
2.60

SPECIFICATIONS

MODEL No. shown **6734BP**

F.P.A. - 1.24
Max. Wt. 24 lbs



FEATURES

SOURCES: (factory installed, prewired and tested).

- INC.-(incandescent) 250 watt max.
- MV-(mercury vapor) 50-75-100-175-250 watt.
- S-(high pressure sodium) 35-50-70-100-150-250 watt.
- MH-(metal halide) 70-100-175-250 watt.

FINISHES:

All Hanover Lantern finishes available, see page 3 for selection.

PANELS:

- CA-Clear acrylic.
- CP-Clear polycarbonate, UV stabilized.
- OA-Opal acrylic.
- OP-Opal polycarbonate, UV stabilized.
- PP-Prismatic polycarbonate, UV stabilized.

VOLTAGES:

120-208-240-277-QUAD (contact factory for availability)

REFRACTORS:

- No. 81-6" borosilicate glass, type V distribution.
- No. 82-6" borosilicate glass, type III distribution.
- No. 83-8" borosilicate glass, type V distribution. (67634BP only)
- No. 84-8" borosilicate glass, type II distribution. (67634BP only)

PHOTO CONTROL: (optional) factory installed.

- No. 10-120 volt only.
- No. 11-208 to 277 volt. (Must be installed in post only).

ORDERING GUIDE

To ensure prompt and efficient processing of your order, Please follow the sequence listed in the example below.

- ① **SOURCE:**
INC.-incandescent
MV-mercury vapor
S-high pressure sodium
MH-metal halide
- ② **MODEL NO.:**
6734BP
67634BP
67635BP
- ③ **FINISH:**
See page 3 for selection.
- ④ **PANELS:**
CA-clear acrylic
CP-clear polycarbonate
OA-opal acrylic
OP-opal polycarbonate
PP-prismatic polycarbonate
- ⑤ **WATTAGE:**
MV-50-75-100-175-250
S-35-50-70-100-150-250
MH-70-100-175-250
- ⑥ **VOLTAGE:**
120v.-208v.-240v.-277v.
- ⑦ **REFRACTORS:** (optional)
81-6" glass type V
82-6" glass type III
83-8" glass type V
84-8" glass type II
- ⑧ **PHOTO CONTROL:** (optional)
10-120 volt only.
11-208/277 volt.

① S ② 6734BP ③ BLK ④ CP ⑤ 100 ⑥ 120 ⑦ 81 ⑧ 10

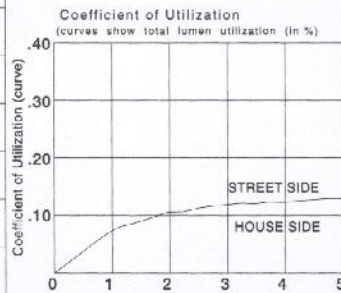
For post selection, see tabbed section P.
Accessories selection, see tabbed section A.

PHOTOMETRIC DATA

Symmetric Distribution

Fixture: 6734BP
Lamp: 150w H.P.S.
Lamp Lumens: 16,000

Optics: Type V
Mounting Height: 12'
Panels: Prismatic polycarbonate



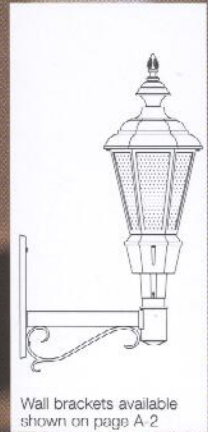
Mounting height multiplier for isolux.

| | | | | | |
|-------------------|-----|-----|-----|-----|-----|
| Mtg.Ht.(ft.) | 10' | 11' | 12' | 13' | 14' |
| Correction factor | 1.4 | 1.2 | 1.0 | .86 | .73 |

JAMESTOWN 9932WA - 9935BP
 9962WA - 99634BP
PLYMOUTH 9952WA - 99432BP
 9972WA

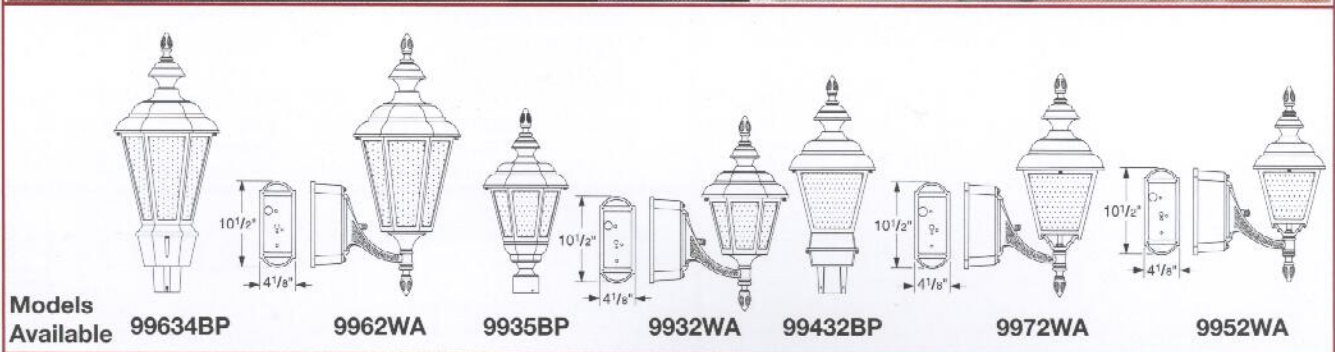
Sitescape®

SITE • ROADWAY • AREA LIGHTING



Wall brackets available shown on page A 2

9935BP
 H. 24"
 W. 11 1/4"
 FITTER-3" I.D.
 Finish shown-Black (BLK)



Models Available 99634BP

9962WA

9935BP

9932WA

99432BP

9972WA

9952WA

FIXTURE SELECTION

2 1/2" MIN. TENON LENGTH FOR 99600, 99400 SERIES

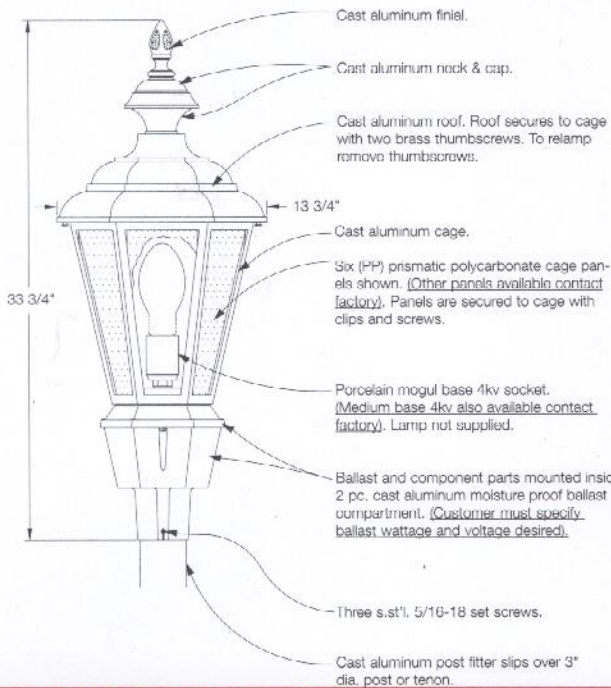
HEIGHT: 33 3/4"
 WIDTH: 13 3/4"
 FITTER DIA./PROJ. T/O: 3" I.D.

GLASS REFRACTORS AVAILABLE: 6" TYPE III OR V

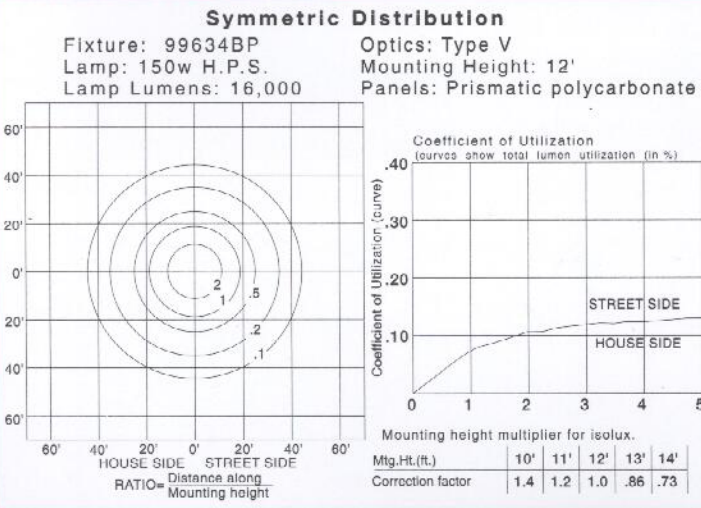
| FIXTURE NO. | INC. MAX. WATTS | INC. | M.V. | H.P.S. | M.H. | E.P.A. |
|----------------|-----------------|------|------|--------|------|--------|
| 99634BP | 150w | 150w | 100w | 150w | 175w | 1.35 |
| 9962WA | 150w | 150w | 100w | 150w | 100w | |
| 9935BP | 100w | N/A | 70w | N/A | | |
| 9932WA | 100w | 100w | 100w | 70w | | |
| 99432BP | 100w | 100w | 100w | 70w | 1.02 | |
| 9972WA | 100w | 150w | 100w | | | |
| 9952WA | 100w | 100w | 100w | 70w | | |

SPECIFICATIONS

MODEL No. shown **99634BP** E.P.A. - 1.35 Max. Wt. 25 lbs



PHOTOMETRIC DATA



FEATURES

SOURCES: (factory installed, prewired and tested).
INC.-(incandescent) 150 watt max.
MV-(mercury vapor) 50-75-100 watt.
S-(high pressure sodium) 35-50-70-100-150 watt.
MH-(metal halide) 50-70-100-175 watt.

FINISHES:
 All Hanover Lantern finishes available, see page 3 for selection.

PANELS:
CA-Clear acrylic.
CP-Clear polycarbonate, UV stabilized.
OA-Opal acrylic.
OP-Opal polycarbonate, UV stabilized.
PP Prismatic polycarbonate, UV stabilized.

VOLTAGES:
 120-208-240-277-QUAD (contact factory for availability)

REFRACTORS:
 No. **81**-6" borosilicate glass, type V distribution. (99634BP & 9952WA only)
 No. **82**-6" borosilicate glass, type III distribution. (9962WA only)

PHOTO CONTROL: (optional) factory installed.
 No. **10**-120 volt only.
 No. **11**-208 to 277 voll. (Must be installed in post only).

ORDERING GUIDE

To ensure prompt and efficient processing of your order, Please follow the sequence listed in the example below.

- SOURCE:**
 INC-incandescent
 MV-mercury vapor
 S-high pressure sodium
 MH-metal halide
 - MODEL NO.:**
 99634BP 99432BP
 9962WA 9972WA
 9935BP 9952WA
 9932WA
 - FINISH:**
 See page 3 for selection.
 - PANELS:**
 CA-clear acrylic
 CP-clear polycarbonate
 OA-opal acrylic
 OP-opal polycarbonate
 PP-prismatic polycarbonate
 - WATTAGE:**
 MV-50-75-100
 S-35-50-70-100-150
 MH-50-70-100-175
 - VOLTAGE:**
 120v.-208v.-240v.-277v.
 - REFRACTORS: (optional)**
 81-6" glass type V
 82-6" glass type III
 - PHOTO CONTROL: (optional)**
 10-120 volt only.
 11-208/277 volt.
- ① S ② 99634BP ③ BLK ④ CP ⑤ 100 ⑥ 120 ⑦ 81 ⑧ 10
- For post selection, see tabbed section P.
 Accessories selection, see tabbed section A.

350 Kindig Lane, Hanover, PA 17331
 Phone: (717) 632-6464
 Fax: (717) 632-5039
 Email: sales@hanoverlantern.com
 Web: www.hanoverlantern.com

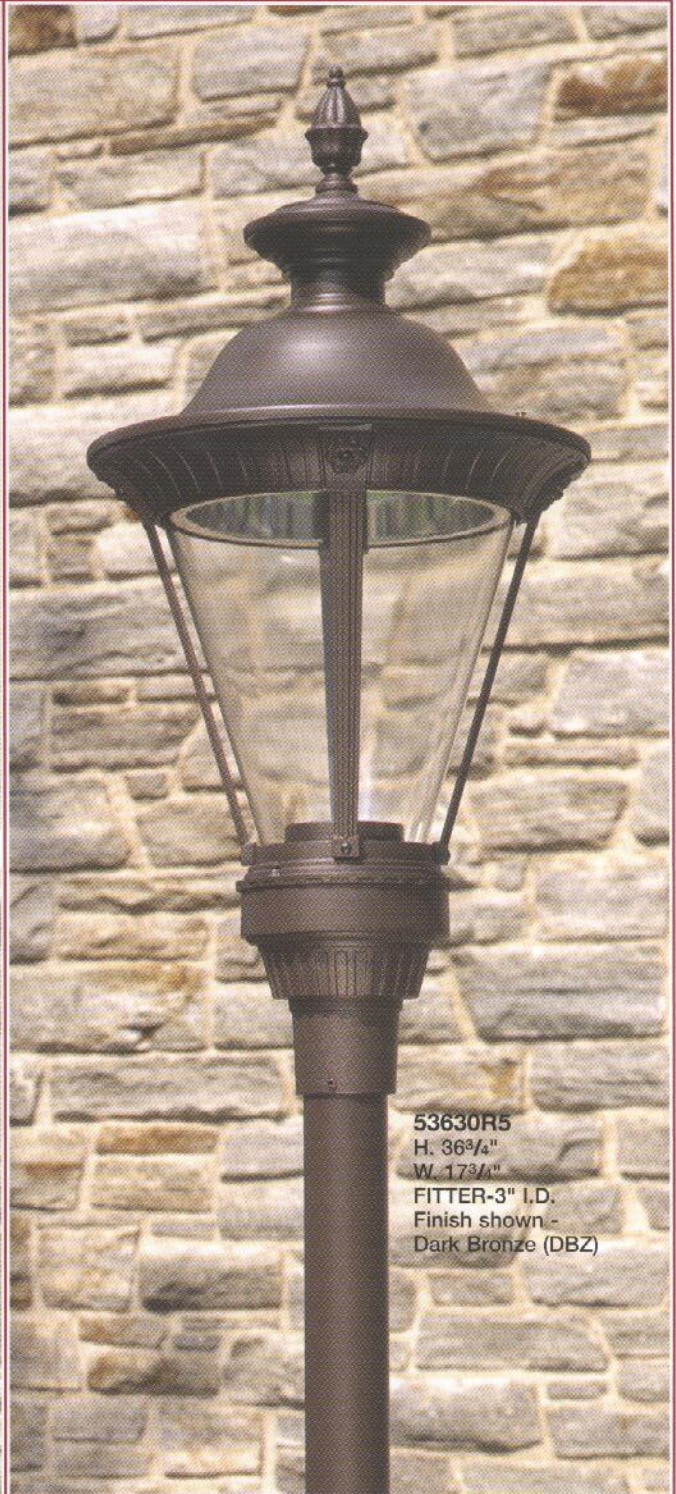
Hanover®
 LANTERN
 Handcrafted in the USA

STOCKHOLM (Large)
 53630BP - 53630R5 - 53730BP - 53730R5
 536SBP - 537SBP

Sitescape[®]
 SITE • ROADWAY • AREA LIGHTING



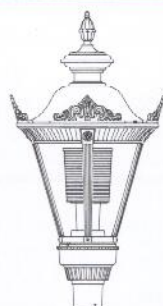
53730BP
 H. 36³/₄"
 W. 19³/₈"
 FITTER-3" I.D.
 Finish shown -
 Weathered Bronze (WBZ)



53630R5
 H. 36³/₄"
 W. 17³/₄"
 FITTER-3" I.D.
 Finish shown -
 Dark Bronze (DBZ)



53630BP



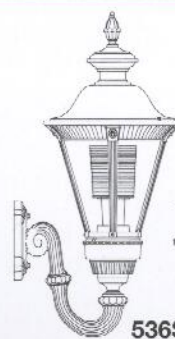
53730BP



53630R5



53730R5



536SBP



537SBP

Models Available

FIXTURE SELECTION

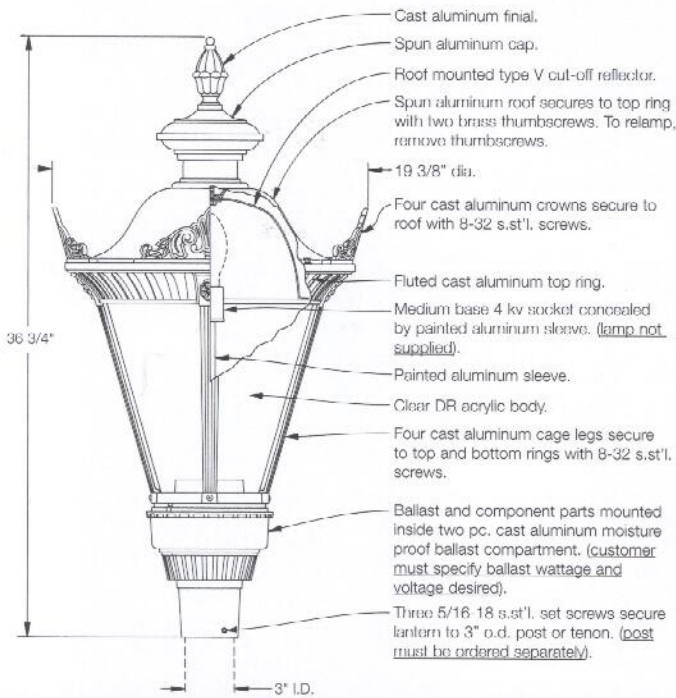
| FIXTURE NO. | GLASS REFRACTORS AVAILABLE 6" TYPE III OR V | | ROOF MOUNTED REFLECTOR SYSTEM TYPE V | | GLASS REFRACTORS AVAILABLE 6" TYPE III OR V | |
|-------------------|--|---------|---|---------|--|--------|
| | 53630BP | 53730BP | 53630R5 | 53730R5 | 536SBP | 537SBP |
| MAX. WATTS - INC. | 150w | 150w | 150w | 150w | 150w | 150w |
| M.V. | 75w | 75w | 75w | 75w | 75w | 75w |
| H.P.S. | 100w | 100w | 100w | 100w | 100w | 100w |
| M.H. | 70w | 70w | 70w | 70w | 70w | 100w |
| E.P.A. | 1.96 | 1.96 | 1.96 | 1.96 | 70w | 70w |

HEIGHT: 36 3/4" (53630BP, 53730BP, 53630R5, 53730R5), 41 1/2" (536SBP, 537SBP)
WIDTH: 17 3/4" (53630BP, 53730BP, 53630R5, 53730R5), 21 1/2" (536SBP, 537SBP)
FITTER DIA./PROJ.: 3" I.D. (53630BP, 53730BP, 53630R5, 53730R5), 29" (536SBP, 537SBP)
T/O: 29" (536SBP, 537SBP)

SPECIFICATIONS

MODEL No. shown **53730R5**

E.P.A. - 1.96
Max. Wt. 28 lbs



FEATURES

SOURCES: (factory installed, prewired and tested).

- INC.-(incandescent) 150 watt max.
- MV-(mercury vapor) 50-75 watt.
- S-(high pressure sodium) 35-50-70-100 watt.
- MH-(metal halide) 50-70 watt.

FINISHES:

All Hanover Lantern finishes available, see page 3 for selection.

GLOBES:

CA-Clear DR acrylic.

VOLTAGES:

120-208-240-277- QUAD (contact factory for availability)
(100 watt high pressure sodium - 120 volt H.P.F. only).

REFRACTORS:

No. 81-6" borosilicate glass, type V distribution
No. 82-6" borosilicate glass, type III distribution

SOCKET:

4KV porcelain medium base only.

PHOTO CONTROL: (optional) factory installed.

No. 10-120 volt only. (Must be installed in post only).
No. 11-208 to 277 volt. (Must be installed in post only).

ORDERING GUIDE

To ensure prompt and efficient processing of your order, Please follow the sequence listed in the example below.

- ① **SOURCE:**
INC.-incandescent
MV-mercury vapor
S-high pressure sodium
MH-metal halide
- ② **MODEL NO.:**
53630BP
53630R5
53730BP
53730R5
536SBP
537SBP
- ③ **FINISH:**
See page 3 for selection.
- ④ **WATTAGE:**
MV-50-75
S-35-50-70-100
MH-50-70
- ⑤ **VOLTAGE:**
120v.-208v.-240v.-277v.
100w. HPS-120v. only
- ⑥ **REFRACTORS:** (optional)
81-6" glass type V
82-6" glass type III
- ⑦ **PHOTO CONTROL:** (optional)
(Must be installed in post only).
10-120 volt only.
11-208 to 277 volt.

① S ② 53730BP ③ VCP ④ 100 ⑤ 120 ⑥ 81 ⑦ 10

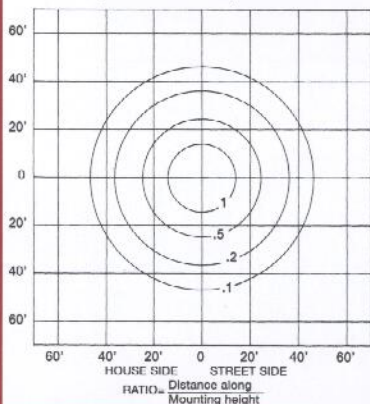
For post selection, see tabbed section P.
Accessories selection, see tabbed section A.

PHOTOMETRIC DATA

Symmetric Distribution

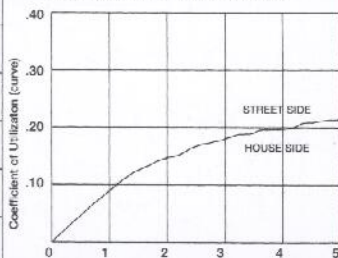
Fixture: 53630BP
Lamp: 100w H.P.S.
Lamp Lumens: 9,500

Optics: Type V
Mounting Height: 10'
Panels: Clear DR acrylic



Coefficient of Utilization

(curves show total lumen utilization (in %))



| Mtg.Ht.(ft.) | 8' | 9' | 10' | 11' | 12' |
|-------------------|-----|-----|-----|-----|-----|
| Correction factor | 1.6 | 1.2 | 1.0 | .82 | .69 |

350 Kindig Lane, Hanover, PA 17331

Phone: (717) 632-6464

Fax: (717) 632-5039

Email: sales@hanoverlantern.com

Web: www.hanoverlantern.com

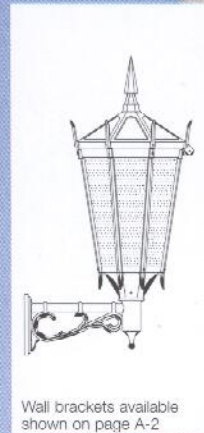
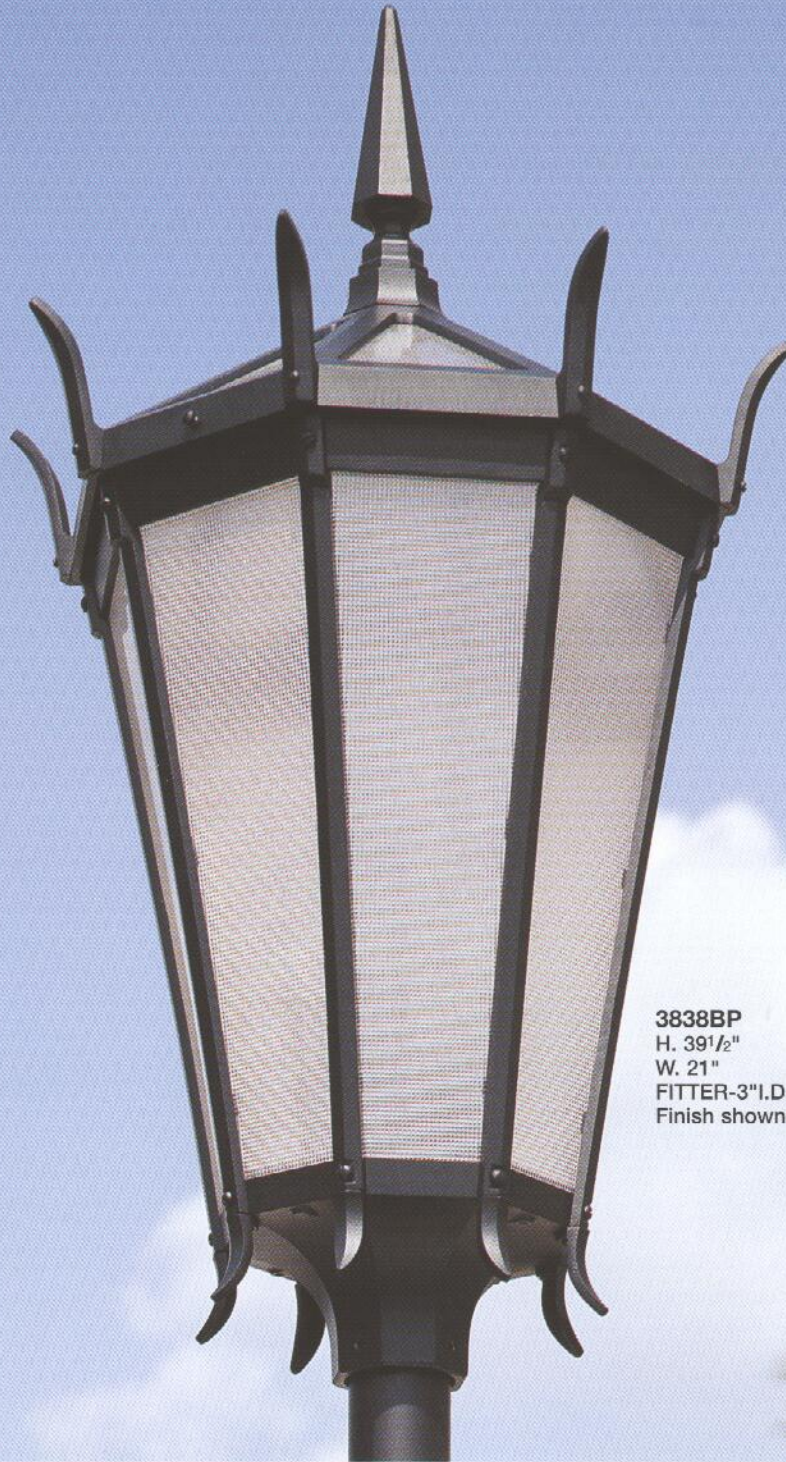
Hanover®
LANTERN
Handcrafted in the USA

BATTERY PARK

3730BP - 3733BP - 3737BP - 3738BP
 3830BP - 3833BP - 3837BP - 3838BP

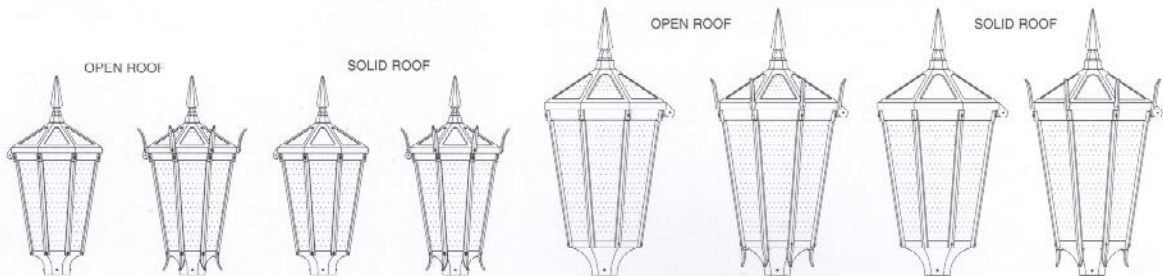
Sitescape®

SITE • ROADWAY • AREA LIGHTING



Wall brackets available shown on page A-2

3838BP
 H. 39 1/2"
 W. 21"
 FITTER-3" I.D.
 Finish shown-Black (BLK)



Models Available

3730BP

3738BP

3733BP

3737BP

3830BP

3838BP

3833BP

3837BP


BATTERY PARK

3730BP - 3733BP - 3737BP - 3738BP
3830BP - 3833BP - 3837BP - 3838BP

Sitescape®

SITE • ROADWAY • AREA LIGHTING

FIXTURE SELECTION



TOP VIEW

2 1/2" MIN. TENON LENGTH FOR 3700, 3800 SERIES

HEIGHT: 29 5/8" 29 5/8" 29 5/8" 29 5/8" 39 1/2" 39 1/2" 39 1/2" 39 1/2" 39 1/2"
WIDTH: 13 1/2" 16 1/4" 13 1/2" 16 1/4" 18" 21" 18" 21" 21"
FITTER DIA.: 3" I.D. 3" I.D. 3" I.D. 3" I.D. 3" I.D. 3" I.D. 3" I.D. 3" I.D. 3" I.D.

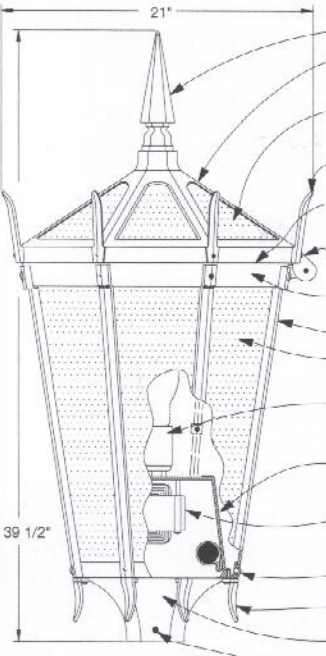
GLASS REFRACTORS AVAILABLE: 6" TYPE III OR V (for 3700 series), 8" TYPE II OR V (for 3800 series)

| FIXTURE NO. | INC. | 3730BP | 3738BP | 3733BP | 3737BP | 3830BP | 3838BP | 3833BP | 3837BP |
|-------------|--------|--------|--------|--------|--------|--------|--------|--------|--------|
| MAX. WATTS: | | 100w | 100w | 100w | 100w | 250w | 250w | 250w | 250w |
| | M.V. | 100w | 100w | 100w | 100w | 250w | 250w | 250w | 250w |
| | H.P.S. | 100w | 100w | 100w | 100w | 250w | 250w | 250w | 250w |
| | M.H. | 100w | 100w | 100w | 100w | 250w | 250w | 250w | 250w |
| | E.P.A. | 1.40 | 1.45 | 1.40 | 1.45 | 2.60 | 2.65 | 2.60 | 2.65 |

SPECIFICATIONS

MODEL No. shown **3838BP**

E.P.A. - 2.65
Max. Wt. 46 lbs



- Cast aluminum octagon top spike.
- Cast aluminum octagon roof. Hinged for easy access. Secures with one 5/16-18 s.s.†1. (R.H.M.S.)
- Eight Prismatic polycarbonate roof panels. Completely sealed from inside with silicone sealant.
- Eight cast aluminum top spikes, secured with R.H.M.S.
- Continuous foam rubber gasket between roof and cage. (To prevent insects from entering cage.)
- Eight 8-32 R.H.M.S. secure cast aluminum cage legs to top cage ring.
- Cast aluminum hinged octagon top cage ring.
- Eight cast aluminum cage legs.
- Eight prismatic polycarbonate cage panels secured with screws and clips.
- Porcelain 4kw mogul base socket. (Lamp not supplied) (Medium base 4kw socket available contact factory)
- Cast aluminum ballast housing, secures to cage bottom w/two 1/4 20 R.H.M.S.
- Ballast and related components are factory installed, prewired and tested. All electrical components-U.L. listed.
- Eight 1/4 20 brass R.H.M.S. secure cage legs to cast aluminum cage bottom.
- Eight cast aluminum bottom spikes secure to cage bottom with 8-32 R.H.M.S.
- Cast aluminum cage bottom/post filler combination. Fits 3" O.D. post or tenon.
- Four 5/15 18 s.s.†1. Allen HD. set screws secure fixture to 3" O.D. post or tenon.

FEATURES

SOURCES: (factory installed, prewired and tested).
INC.-(incandescent) 250 watt max.
MV (mercury vapor) 50-75-100-175-250 watt.
S-(high pressure sodium) 35-50-70-100-150-250 watt.
MH-(metal halide) 50-70-100-175-250 watt.

FINISHES:
 All Hanover Lantern finishes available, see page 3 for selection.

PANELS
CA-clear acrylic.
CP-clear polycarbonate, UV stabilized.
OA opal acrylic.
OP-opal polycarbonate, UV stabilized.
PP-prismatic polycarbonate, UV stabilized.

VOLTAGES:
 120-208-240-277-QUAD (contact factory for availability)

REFRACTORS:
 No. **96**-6" borosilicate glass, type III distribution. (3700 series only)
 No. **97**-6" borosilicate glass, type V distribution. (3700 series only)
 No. **81**-6" borosilicate glass, type V distribution. (3800 series only)
 No. **82**-6" borosilicate glass, type III distribution. (3800 series only)
 No. **83**-8" borosilicate glass, type V distribution. (3800 series only)
 No. **84**-8" borosilicate glass, type II distribution. (3800 series only)

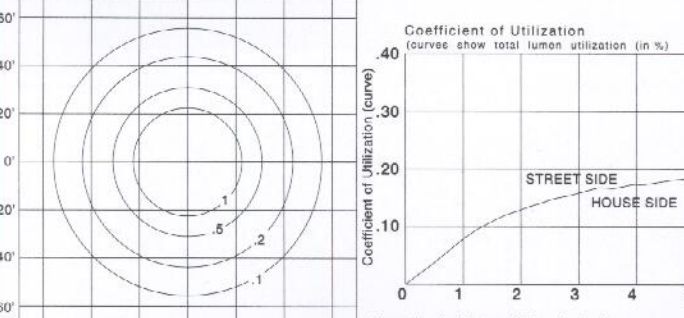
PHOTO CONTROL: (optional) factory installed.
 No. **10**-120 volt only.
 No. **11**-208 to 277 volt. (Must be installed in post only).

PHOTOMETRIC DATA

Symmetric Distribution

Fixture: 3830BP
Lamp: 150w H.P.S.
Lamp Lumens: 16,000

Optics: Type V
Mounting Height: 12'
Panels: Prismatic polycarbonate



Mounting height multiplier for isolux.

| Mtg. Ht. (ft.) | 10' | 11' | 12' | 13' | 14' |
|-------------------|-----|-----|-----|-----|-----|
| Correction factor | 1.4 | 1.2 | 1.0 | .86 | .73 |

ORDERING GUIDE

To ensure prompt and efficient processing of your order, please follow the sequence listed in the example below.

- SOURCE:**
 INC.-incandescent
 MV-mercury vapor
 S-high pressure sodium
 MH-metal halide
- MODEL NO.:**
 3730BP 3830BP
 3733BP 3833BP
 3737BP 3837BP
 3738BP 3838BP
- FINISH:**
 See page 3 for selection.
- PANELS:**
 CA-clear acrylic
 CP-clear polycarbonate
 OA-opal acrylic
 OP-opal polycarbonate
 PP-prismatic polycarbonate
- WATTAGE:**
 MV-50-75-100-175-250
 S-35-50-70-100-150-250
 MH-50-70-100-175-250
- VOLTAGE:**
 120v.-208v.-240v.-277v.
- REFRACTORS: (optional)**
 96-6" glass type III
 97-6" glass type V
 81-6" glass type V
 82-6" glass type III
 83-8" glass type V
 84-8" glass type III
- PHOTO CONTROL: (optional)**
 10-120 volt only.
 11-208/277 volt.

① S ② 3830BP ③ BLK ④ CP ⑤ 100 ⑥ 120 ⑦ 83 ⑧ 10

For post selection, see tabbed section P.
 Accessories selection, see tabbed section A.

350 Kindig Lane, Hanover, PA 17331
 Phone: (717) 632-6464
 Fax: (717) 632-5039
 Email: sales@hanoverlantern.com
 Web: www.hanoverlantern.com

Hanover®
 LANTERN
 Handcrafted in the USA

INDIAN WELLS

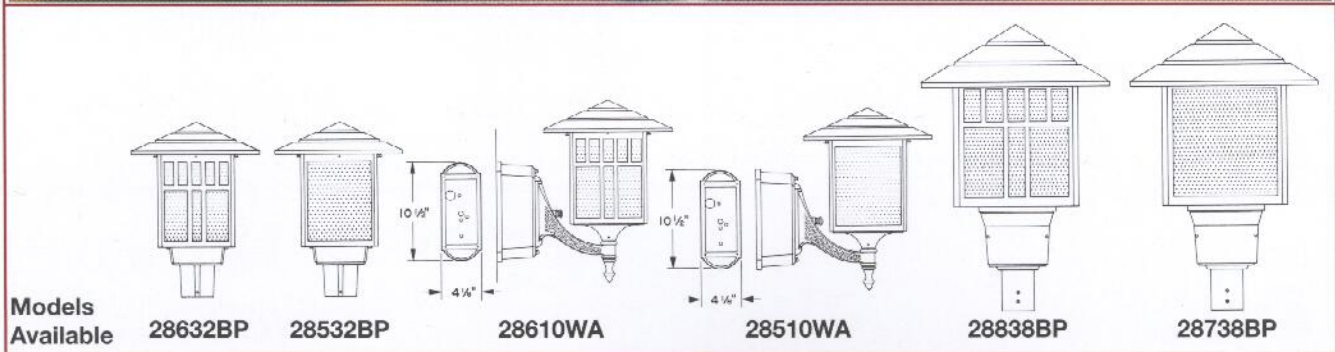
28610WA - 28632BP - 28838BP
 28510WA - 28532BP - 28738BP

Sitescape®

SITE • ROADWAY • AREA LIGHTING



28838BP
 H. 31"
 W. 20 1/2"
 FITTER-3" I.D.
 Finish shown - Verde (VGN)



Models Available

28632BP

28532BP

28610WA

28510WA

28838BP

28738BP

INDIAN WELLS

28610WA - 28632BP - 28838BP
28510WA - 28532BP - 28738BP

Sitescape®

SITE • ROADWAY • AREA LIGHTING

FIXTURE SELECTION

TOP VIEW

2 1/2" MIN. TENON LENGTH FOR 28500-28600, 28700-28800 SERIES

HEIGHT: 19", 14", 19 3/4", 19 3/4", 31", 31"
WIDTH: 14", 14", 14", 14", 20 1/2", 20 1/2"
FITTER DIA./PROJ.: 3" I.D., 3" I.D., 19 1/8", 19 1/8", 3" I.D., 3" I.D.
T/O: 0.82, 0.82, 12 1/8", 12 1/8", 2.17, 2.17

GLASS REFRACTORS AVAILABLE 4" TYPE V

GLASS REFRACTORS AVAILABLE 4" TYPE V

GLASS REFRACTORS AVAILABLE 6" TYPE III OR V, 8" TYPE II AND V

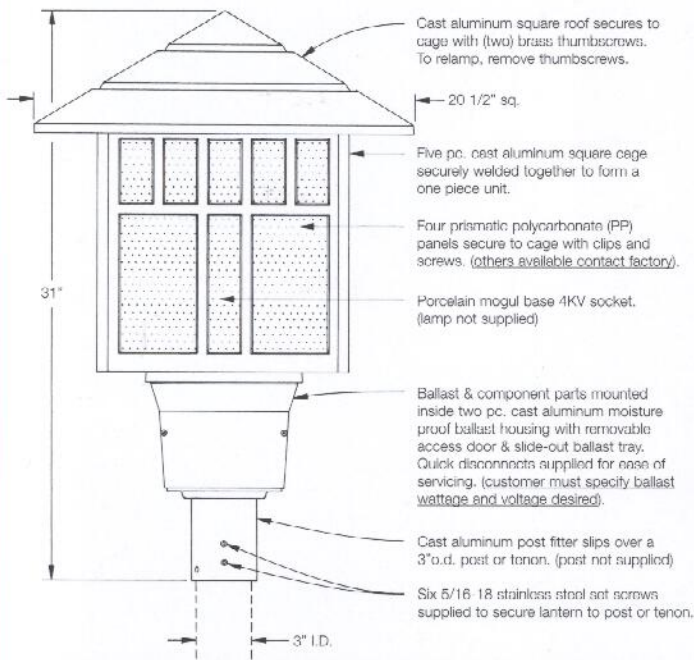
SLIDE OUT BALLAST TRAY W/QUICK DISCONNECTS

| FIXTURE NO. | 28632BP | 28532BP | 28610WA | 28510WA | 28838BP | 28738BP |
|-------------------|---------|---------|---------|---------|---------|---------|
| MAX. WATTS - INC. | 100w | 100w | 100w | 100w | 250w | 250w |
| M.V. | 100w | 100w | 100w | 100w | 250w | 250w |
| H.P.S. | 100w | 100w | 100w | 100w | 250w | 250w |
| M.H. | 70w | 70w | 100w | 100w | 250w | 250w |
| E.P.A. | 0.82 | 0.82 | 100w | 100w | 2.17 | 2.17 |

SPECIFICATIONS

MODEL No. shown 28838BP

E.P.A. - 2.17
Max. Wt. 44 lbs



FEATURES

SOURCES: (factory installed, prewired and tested).

- INC.-(incandescent) 250 watt max.
- MV-(mercury vapor) 50-75-100-175-250 watt.
- S-(high pressure sodium) 35-50-70-100-150-250 watt.
- MH-(metal halide) 50-70-100-175-250 watt.

FINISHES:

All Hanover Lantern finishes available, see page 3 for selection.

PANELS:

- CA-Clear acrylic.
- CP-Clear polycarbonate, UV stabilized.
- OA-Opal acrylic.
- OP-Opal polycarbonate, UV stabilized.
- PP-Prismatic polycarbonate, UV stabilized.

VOLTAGES:

120-208-240-277- QUAD (contact factory for availability)

REFRACTORS:

- No. 80-4" borosilicate glass, type V distribution
 - No. 81-6" borosilicate glass, type V distribution
 - No. 82-6" borosilicate glass, type III distribution
 - No. 83-8" borosilicate glass, type V distribution
 - No. 84-8" borosilicate glass, type II distribution
- (28838BP only)

PHOTO CONTROL: (optional) factory installed.

- No. 10-120 volt only.
- No. 11-208 to 277 volt. (Must be installed in post only).

ORDERING GUIDE

To ensure prompt and efficient processing of your order, Please follow the sequence listed in the example below.

- SOURCE:**
INC.-incandescent
MV-mercury vapor
S-high pressure sodium
MH-metal halide
 - MODEL NO.:**
28610WA 28510WA
28632BP 28532BP
28838BP 28738BP
 - FINISH:**
See page 3 for selection.
 - PANELS:**
CA-Clear acrylic.
CP-Clear polycarbonate
OA-Opal acrylic.
OP-Opal polycarbonate
PP-Prismatic polycarbonate
 - WATTAGE:**
MV-50-75-100-175-250
S-35-50-70-100-150-250
MH-50-70-100-175-250
 - VOLTAGE:**
120v.-208v.-240v.-277v.
 - REFRACTORS: (optional)**
80-4" glass type V
81-6" glass type V
82-6" glass type III
83-8" glass type V
84-8" glass type II
 - PHOTO CONTROL: (optional)**
10-120 volt only.
11-208/277 volt.
- ① ② ③ ④ ⑤ ⑥ ⑦ ⑧
- S 28838BP VGN OP 150 120 81 10

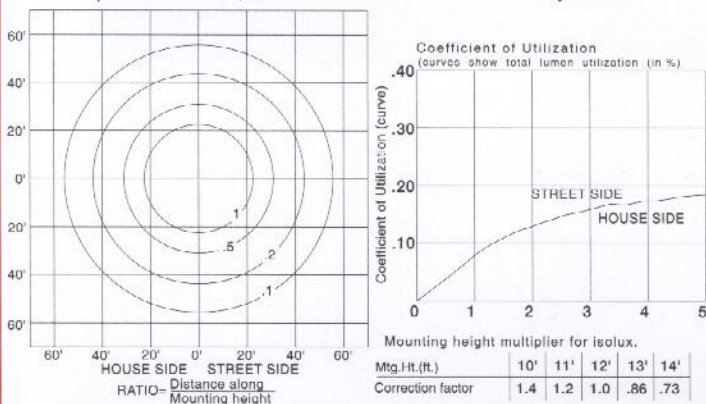
For post selection, see tabbed section P.
Accessories selection, see tabbed section A.

PHOTOMETRIC DATA

Symmetric Distribution

Fixture: 28838BP
Lamp: 150w H.P.S.
Lamp Lumens: 16,000

Optics: Type V
Mounting Height: 12'
Panels: Prismatic Polycarbonate

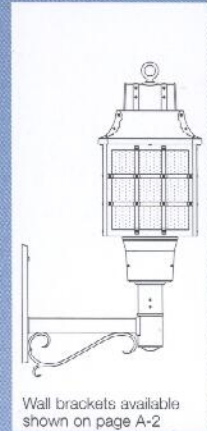


350 Kindig Lane, Hanover, PA 17331
Phone: (717) 632-6464
Fax: (717) 632-5039
Email: sales@hanoverlantern.com
Web: www.hanoverlantern.com

Hanover®
LANTERN
Handcrafted in the USA

REVERE 8310WA - 8332BP - 8338BP
MANSART 5132BP

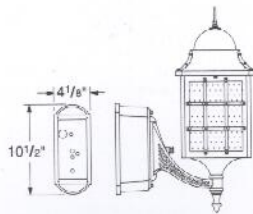
Sitescape[®]
 SITE • ROADWAY • AREA LIGHTING



8338BP
 H. 36³/₈"
 W. 15"
 FITTER-3" I.D.
 Finish shown-Verde (VGN)



8332BP



8310WA



8338BP



5132BP

Models Available

FIXTURE SELECTION

2 1/2" MIN. TENON LENGTH FOR 8300 & 8100 SERIES

HEIGHT:
WIDTH:
FITTER DIA./PROJ.:
T/O:

GLASS REFRACTORS AVAILABLE 4" TYPE V

GLASS REFRACTORS AVAILABLE 6" TYPE III OR V
8" TYPE II OR V

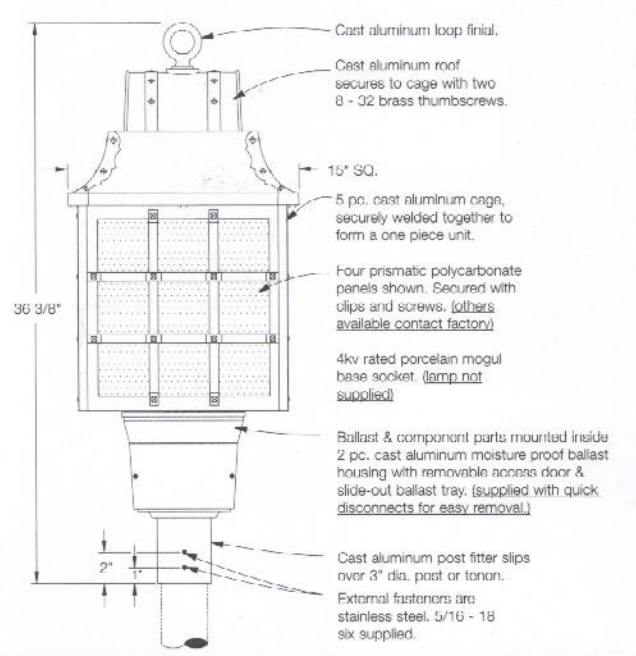
GLASS REFRACTORS AVAILABLE 4" TYPE V

SLIDE-OUT BALLAST TRAY W/QUICK DISCONNECTS

| | | | |
|---------------|---------------|---------------|---------------|
| 8332BP | 8310WA | 8338BP | 5132BP |
| 100w | 100w | 250w | 150w |
| 100w | 100w | 250w | 100w |
| 100w | 100w | 250w | 150w |
| 70w | 100w | 250w | 70w |
| 1.00 | | 2.42 | 1.27 |

SPECIFICATIONS

MODEL No. shown **8338BP** E.P.A. - 2.42
 Max. Wt. 44 lbs



FEATURES

SOURCES: (factory installed, prewired and tested).
INC.-(incandescents) 250 watt max.
MV-(mercury vapor) 50-75-100-175-250 watt.
S-(high pressure sodium) 35-50-70-100-150-250 watt.
MH-(metal halide) 50 70-100-175-250 watt.

FINISHES:
 All Hanover Lantern finishes available, see page 3 for selection.

PANELS:
CA-Clear acrylic.
CP-Clear polycarbonate, UV stabilized.
OA-Opal acrylic.
OP-Opal polycarbonate, UV stabilized.
PP-Prismatic polycarbonate, UV stabilized.

VOLTAGES:
 120-208-240-277-QUAD (contact factory for availability)

REFRACTORS:
 No. **80** 4" borosilicate glass, type V distribution.
 No. **81** 6" borosilicate glass, type V distribution.
 No. **82** 6" borosilicate glass, type III distribution.
 No. **83** 8" borosilicate glass, type V distribution.
 No. **84** 8" borosilicate glass, type II distribution. (8338BP only)

PHOTO CONTROL: (optional) factory installed.
 No. **10**-120 volt only.
 No. **11**-208 to 277 volt. (Must be installed in post only).

PHOTOMETRIC DATA

Symmetric Distribution
 Fixture: 8338BP
 Lamp: 150w H.P.S.
 Lamp Lumens: 16,000

Optics: Type V
 Mounting Height: 12'
 Panels: Prismatic polycarbonate

Mounting height multiplier for isolux.

| | | | | | |
|-------------------|-----|-----|-----|-----|-----|
| Mtg. Ht. (ft.) | 10' | 11' | 12' | 13' | 14' |
| Correction factor | 1.4 | 1.2 | 1.0 | .86 | .73 |

ORDERING GUIDE

To ensure prompt and efficient processing of your order, please follow the sequence listed in the example below.

① **SOURCE:**
INC-incandescents
MV-mercury vapor
S-high pressure sodium
MH-metal halide

② **MODEL NO.:**
8332BP
8310WA
8338BP
5132BP

③ **FINISH:**
 See page 3 for selection.

④ **PANELS:**
CA-clear acrylic
CP-clear polycarbonate
OA-opal acrylic
OP-opal polycarbonate
PP-prismatic polycarbonate

⑤ **WATTAGE:**
MV-50-75-100-175-250
S 35-50-70-100-150-250
MH-50-70-100-175-250

⑥ **VOLTAGE:**
 120v.-208v.-240v.-277v.

⑦ **REFRACTORS:** (optional)
80-4" glass type V
81-6" glass type V
82-6" glass type III
83-8" glass type V
84-8" glass type II

⑧ **PHOTO CONTROL:** (optional)
10-120 volt only.
11-208/277 volt.

① **S** ② **8338BP** ③ **BLK** ④ **CP** ⑤ **100** ⑥ **120** ⑦ **81** ⑧ **10**

For post selection, see tabbed section P.
 Accessories selection, see tabbed section A.

350 Kindig Lane, Hanover, PA 17331
 Phone: (717) 632-6464
 Fax: (717) 632-5039
 Email: sales@hanoverlantern.com
 Web: www.hanoverlantern.com

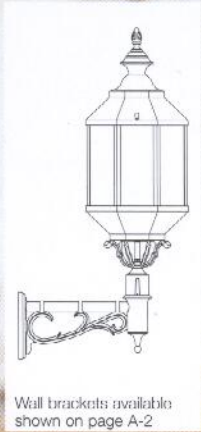
Hanover[®]
 LANTERN
 Handcrafted in the USA

GOTHAM

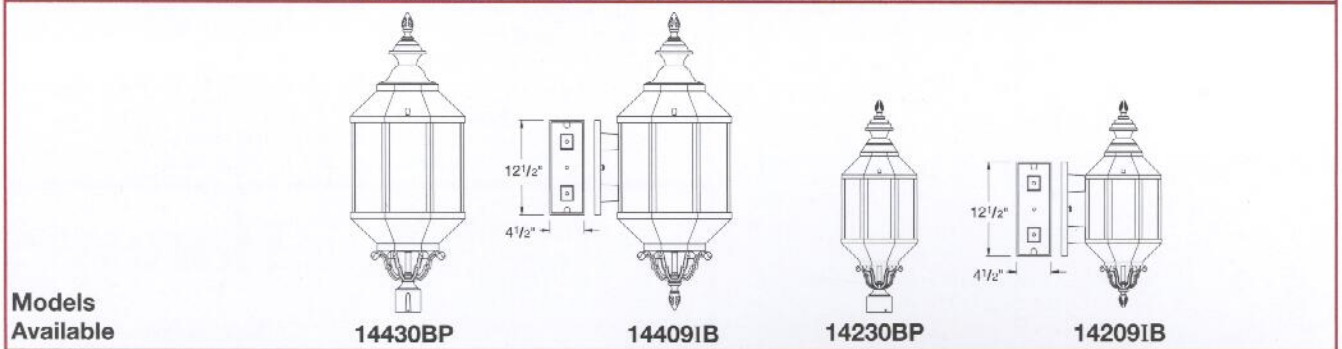
14209IB - 14230BP - 14409IB - 14430BP

Sitescape®

SITE • ROADWAY • AREA LIGHTING



14430BP
H. 40"
W. 15"
FITTER-3" I.D.
Finish shown-Shadow Rust (SRT)



Models Available

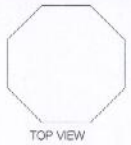
14430BP

14409IB

14230BP

14209IB

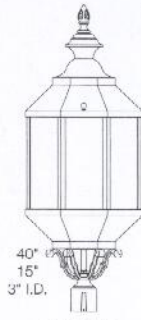
FIXTURE SELECTION



21/2" MIN. TENON LENGTH FOR 14400, 14200 SERIES

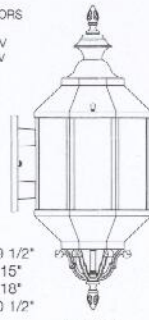
HEIGHT:
WIDTH:
FITTER DIA./PROJ.
T/O:

FIXTURE NO.
MAX. WATTS - INC.
M.V.
H.P.S.
M.H.
E.P.A.

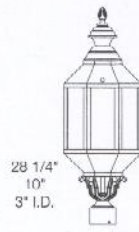


14430BP
250w
250w
250w
250w
2.28

GLASS REFRACTORS AVAILABLE 6" TYPE III OR V 8" TYPE II OR IV

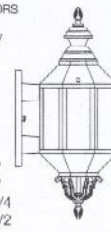


14409IB
250w
250w
250w
250w



14230BP
150w
100w
150w
70w
1.15

GLASS REFRACTORS AVAILABLE 6" TYPE III OR V

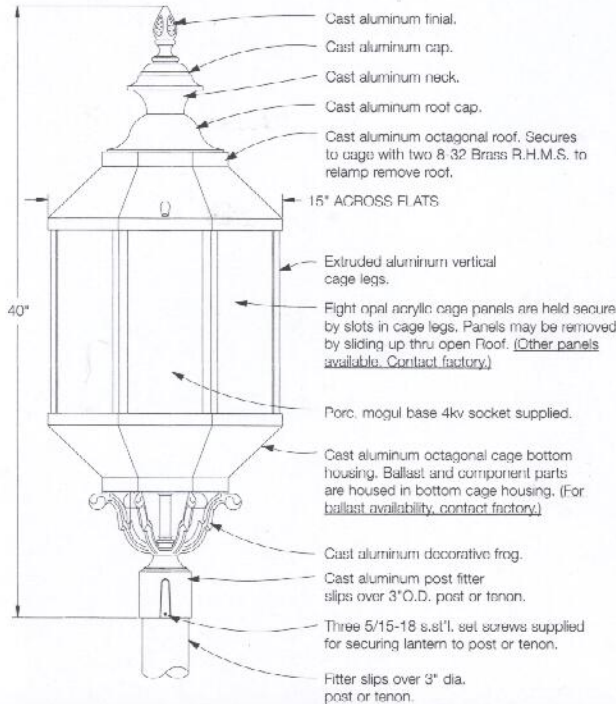


14209IB
150w
100w
150w
100w

SPECIFICATIONS

MODEL No. shown **14430BP**

E.P.A. - 2.28
Max. Wt. 40 lbs



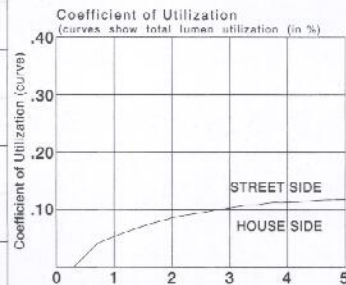
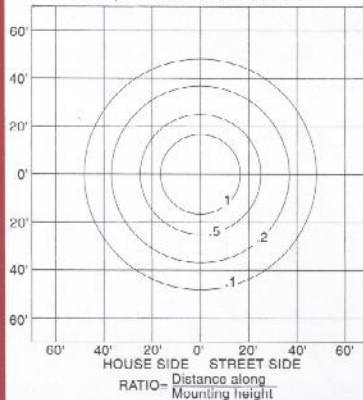
Cast aluminum finial.
Cast aluminum cap.
Cast aluminum neck.
Cast aluminum roof cap.
Cast aluminum octagonal roof. Secures to cage with two 8-32 Brass R.H.M.S. to relamp remove roof.
15" ACROSS FLATS
Extruded aluminum vertical cage legs.
Eight opal acrylic cage panels are held secure by slots in cage legs. Panels may be removed by sliding up thru open roof. (Other panels available. Contact factory.)
Porc. mogul base 4kv socket supplied.
Cast aluminum octagonal cage bottom housing. Ballast and component parts are housed in bottom cage housing. (For ballast availability, contact factory.)
Cast aluminum decorative frog.
Cast aluminum post fitter slips over 3" O.D. post or tenon.
Three 5/16-18 s.s.'l. set screws supplied for securing lantern to post or tenon.
Fitter slips over 3" dia. post or tenon.

PHOTOMETRIC DATA

Symmetric Distribution

Fixture: 14430BP
Lamp: 150w H.P.S.
Lamp Lumens: 16,000

Optics: Type V
Mounting Height: 12'
Panels: Opal acrylic



Mounting height multiplier for Isolux.

| Mtg.Ht.(ft.) | 10' | 11' | 12' | 13' | 14' |
|-------------------|-----|-----|-----|-----|-----|
| Correction factor | 1.4 | 1.2 | 1.0 | .86 | .73 |

FEATURES

SOURCES: (factory installed, prewired and tested).

- INC.-(incandescent) 250 watt max.
- MV-(mercury vapor) 50-75-100-175-250 watt.
- S-(high pressure sodium) 35-50-70-100-150 watt.
- MH-(metal halide) 50-70-100-175-250 watt.

FINISHES:

All Hanover Lantern finishes available, see page 3 for selection.

PANELS

- CA-clear acrylic.
- CP-clear polycarbonate, UV stabilized.
- OA-opal acrylic.
- OP-opal polycarbonate, UV stabilized.
- PP-prismatic polycarbonate, UV stabilized.

VOLTAGES:

120-208-240-277-QUAD (contact factory for availability)

REFRACTORS:

- No. 96-6" borosilicate glass, type III distribution. (14200 series only)
- No. 97-6" borosilicate glass, type V distribution. (14200 series only)
- No. 81-6" borosilicate glass, type V distribution.
- No. 82-6" borosilicate glass, type III distribution.
- No. 83-8" borosilicate glass, type V distribution.
- No. 84-8" borosilicate glass, type II distribution.

PHOTO CONTROL: (optional) factory installed.

- No. 10-120 volt only.
- No. 11-208 to 277 volt. (Must be installed in post only).

ORDERING GUIDE

To ensure prompt and efficient processing of your order, Please follow the sequence listed in the example below.

- ① **SOURCE:**
INC.-incandescent
MV-mercury vapor
S-high pressure sodium
MH-metal halide
 - ② **MODEL NO.:**
14430BP
14409IB
14230BP
14209IB
 - ③ **FINISH:**
See page 3 for selection.
 - ④ **PANELS:**
CA-clear acrylic
CP-clear polycarbonate
OA-opal acrylic
OP-opal polycarbonate
PP-prismatic polycarbonate
 - ⑤ **WATTAGE:**
MV-50-75-100-175-250
S-35-50-70-100-150-250
MH-50-70-100-175-250
 - ⑥ **VOLTAGE:**
120v.-208v.-240v.-277v.
 - ⑦ **REFRACTORS: (optional)**
96-6" glass type III
97-6" glass type V
81-6" glass type V
82-6" glass type III
83-8" glass type V
84-8" glass type II
 - ⑧ **PHOTO CONTROL: (optional)**
10-120 volt only.
11-208/277 volt.
- ① S ② 14430BP ③ BLK CP ④ 100 ⑤ 120 ⑥ 83 ⑦ 10
- For post selection, see tabbed section P.
Accessories selection, see tabbed section A.

350 Kindig Lane, Hanover, PA 17331
Phone: (717) 632-6464
Fax: (717) 632-5039
Email: sales@hanoverlantern.com
Web: www.hanoverlantern.com

Hanover®
LANTERN
Handcrafted in the USA

SEATTLE 2809IB - 2830BP - 2909IB - 2930BP
AMHERST 1340BP

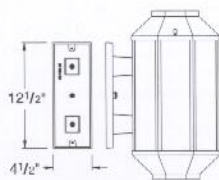
Sitescape®

SITE • ROADWAY • AREA LIGHTING



Wall brackets available shown on page A-2

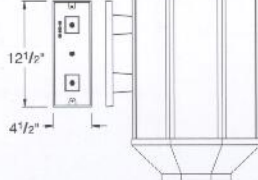
2930BP
 H. 34"
 W. 15"
 FITTER-3" I.D.
 Finish shown-Black (BLK)



2809IB



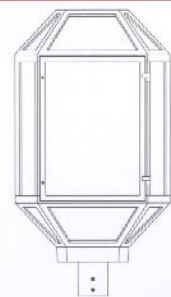
2830BP



2909IB



2930BP



1340BP

Models Available

FIXTURE SELECTION

GLASS REFRACTORS AVAILABLE
 6" TYPE III OR V
 8" TYPE II OR V

GLASS REFRACTORS AVAILABLE
 6" TYPE III OR V
 8" TYPE II OR V

OPEN ROOF

2 1/2" MIN. TENON LENGTH FOR 2800, 2900, 1300 SERIES

HEIGHT: 20"
 WIDTH: 10"
 FITTER DIA./PRCU: 13 1/4"
 T/O: 10"

HEIGHT: 23"
 WIDTH: 10"
 FITTER DIA./PRCU: 3" I.D.

HEIGHT: 30 1/8"
 WIDTH: 15"
 FITTER DIA./PRCU: 18 1/8"
 T/O: 15 1/8"

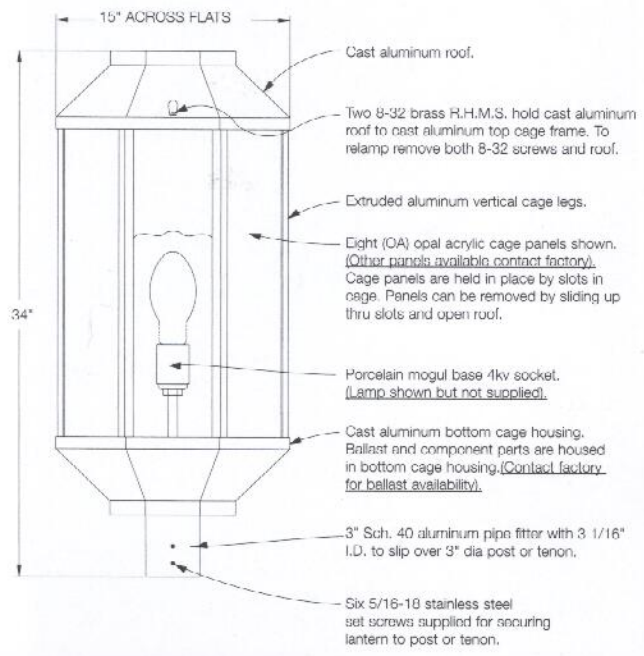
HEIGHT: 34"
 WIDTH: 15"
 FITTER DIA./PRCU: 3" I.D.

HEIGHT: 33 3/4"
 WIDTH: 18 1/4"
 FITTER DIA./PRCU: 3" I.D.

| FIXTURE NO. | MAX. WATTS - INC. | M.V. | H.P.S. | M.H. | E.P.A. |
|---------------|-------------------|------|--------|------|--------|
| 2809IB | 150w | 100w | 150w | 100w | |
| 2830BP | 150w | 100w | 150w | 100w | 1.45 |
| 2909IB | 250w | 250w | 250w | 250w | |
| 2930BP | 250w | 250w | 250w | 250w | 3.03 |
| 1340BP | 250w | 250w | 150w | 175w | 4.00 |

SPECIFICATIONS

MODEL No. shown **2930BP** E.P.A. - 3.03
 Max. Wt. 40 lbs



FEATURES

SOURCES: (factory installed, prewired and tested).
INC.-(incandescent) 250 watt max.
MV-(mercury vapor) 50-75-100-175-250 watt.
S-(high pressure sodium) 35-50-70-100-150 watt.
MH-(metal halide) 50-70-100-175-250 watt.

FINISHES:
 All Hanover Lantern finishes available, see page 3 for selection.

PANELS:
CA-clear acrylic
CP-clear polycarbonate, UV stabilized.
OA-opal acrylic
OP-opal polycarbonate, UV stabilized.
PP-prismatic polycarbonate, UV stabilized.

VOLTAGES:
 120-208-240-277-QUAD (contact factory for availability)

REFRACTORS:
 No. **96**-6" borosilicate glass, type III distribution. (2800 series only)
 No. **97**-6" borosilicate glass, type V distribution. (2800 series only)
 No. **78**-6" borosilicate glass, type V distribution.
 No. **79**-6" borosilicate glass, type III distribution.
 No. **88**-8" borosilicate glass, type V distribution.
 No. **89**-8" borosilicate glass, type II distribution.

PHOTO CONTROL: (optional) factory installed.
 No. **10**-120 volt only.
 No. **11**-208 to 277 volt. (Must be installed in post only).

PHOTOMETRIC DATA

Symmetric Distribution

Fixture: 2930BP
 Lamp: 150w H.P.S.
 Lamp Lumens: 16,000

Optics: Type V
 Mounting Height: 12'
 Panels: Opal acrylic

Coefficient of Utilization (curves show total lumen utilization (in %))

Mounting height multiplier for isolux.

| Mtg.Ht.(ft.) | 10' | 11' | 12' | 13' | 14' |
|-------------------|-----|-----|-----|-----|-----|
| Correction factor | 1.4 | 1.2 | 1.0 | .86 | .73 |

HOUSE SIDE STREET SIDE

Distance along Mounting height

ORDERING GUIDE

To ensure prompt and efficient processing of your order, Please follow the sequence listed in the example below.

- SOURCE:**
 INC.-incandescent
 MV-mercury vapor
 S-high pressure sodium
 MH-metal halide
- MODEL NO.:**
 2809IB 1340BP
 2830BP
 2909IB
 2930BP
- FINISH:**
 See page 3 for selection.
- PANELS:**
 CA-clear acrylic
 CP-clear polycarbonate
 OA-opal acrylic
 OP-opal polycarbonate
 PP-prismatic polycarbonate
- WATTAGE:**
 MV-50-75-100-175-250
 S-35-50-70-100-150-250
 MH-50-70-100-175-250
- VOLTAGE:**
 120v.-208v. 240v. 277v.
- REFRACTORS:** (optional)
 96-6" glass type III
 97-6" glass type V
 78-6" glass type V
 79-6" glass type III
 88-8" glass type V
 89-8" glass type II
- PHOTO CONTROL:** (optional)
 10-120 volt only.
 11-208/277 volt.

① S ② 2930BP ③ BLK ④ CP ⑤ 100 ⑥ 120 ⑦ 83 ⑧ 10

For post selection, see tabbed section P.
 Accessories selection, see tabbed section A.

350 Kindig Lane, Hanover, PA 17331
 Phone: (717) 632-6464
 Fax: (717) 632-5039
 Email: sales@hanoverlantern.com
 Web: www.hanoverlantern.com

Hanover®
 LANTERN
 Handcrafted in the USA

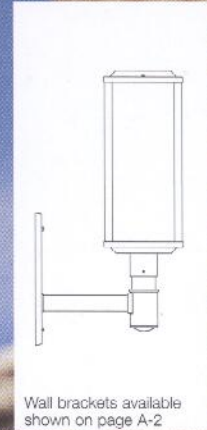
GEMINI

78091B - 7832BP - 7838BP - 79091B

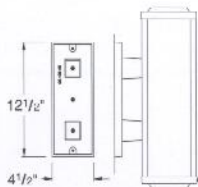
Sitescape®

SITE • ROADWAY • AREA LIGHTING

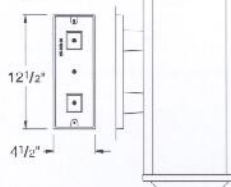
Gettysburg College - Gettysburg, PA



7832BP
H. 27"
W. 10"
FITTER-3" I.D.
Finish shown-Architectural
bronze (ARB)



79091B



78091B



7832BP



7838BP

Models
Available

FIXTURE SELECTION

TOP VIEW

2 1/2" MIN. TENON LENGTH FOR 7800 SERIES

HEIGHT:
WIDTH:
FITTER DIA./PROJ.:
T/O:

FIXTURE NO.
MAX. WATTS - INC.
M.V.
H.P.S.
M.H.
E.P.A.

GLASS REFRACTORS AVAILABLE 6" TYPE III OR V

20"
6 1/4"
9"
10"

7909IB
150w
75w
70w
N/A

GLASS REFRACTORS AVAILABLE 6" TYPE III OR V

24"
10"
13"
14"

7809IB
150w
100w
150w
70w

GLASS REFRACTORS AVAILABLE 6" TYPE III OR V

27"
10"
3" I.D.

7832BP
150w
100w
150w
100w
1.70

GLASS REFRACTORS AVAILABLE 6" TYPE III OR V

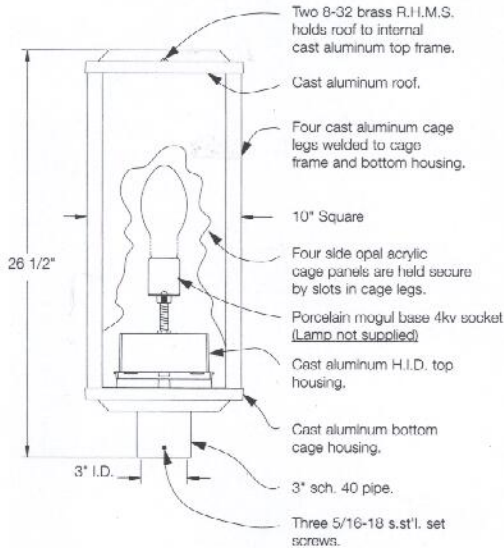
31 3/4"
15"
3" I.D.

7838BP
250w
250w
250w
250w
2.52

SPECIFICATIONS

MODEL No. shown **7832BP**

E.P.A. - 1.70
Max. Wt. 30 lbs



PHOTOMETRIC DATA

Symmetric Distribution

Fixture: 7838BP
Lamp: 150w H.P.S.
Lamp Lumens: 16,000

Optics: Type V
Mounting Height: 12'
Panels: Opal acrylic



FEATURES

SOURCES: (factory installed, prewired and tested).

- INC.-incandescent) 250 watt max.
- MV-(mercury vapor) 50-75-100-175-250 watt.
- S-(high pressure sodium) 35-50-70-100-150-250 watt.
- MH-(metal halide) 50-70-100-175-250 watt.

FINISHES:

All Hanover Lantern finishes available, see page 3 for selection.

PANELS:

- CA-clear acrylic.
- CP-clear polycarbonate, UV stabilized.
- OA-opal acrylic.
- OP-opal polycarbonate, UV stabilized.
- PP-prismatic polycarbonate, UV stabilized.

VOLTAGES:

120-208-240-277-QUAD (contact factory for availability)

REFRACTORS:

- No. 80-4" borosilicate glass, type V distribution. (7909IB only)
- No. 81-6" borosilicate glass, type V distribution.
- No. 82-6" borosilicate glass, type III distribution.
- No. 83-8" borosilicate glass, type V distribution.
- No. 84-8" borosilicate glass, type II distribution. (7800 series only)

PHOTO CONTROL: (optional) factory installed.

- No. 10-120 volt only.
- No. 11-208 to 277 volt. (Must be installed in post only).

ORDERING GUIDE

To ensure prompt and efficient processing of your order, Please follow the sequence listed in the example below.

- ① **SOURCE:**
INC.-incandescent
MV-mercury vapor
S-high pressure sodium
MH-metal halide
- ② **MODEL NO.:**
7909IB
7809IB
7832BP
7838BP
- ③ **FINISH:**
See page for selection.
- ④ **PANELS:**
CA-clear acrylic
CP-clear polycarbonate
OA-opal acrylic
OP-opal polycarbonate
PP-prismatic polycarbonate
- ⑤ **WATTAGE:**
MV-50-75-100-175-250
S-35-50-70-100-150-250
MH-50-70-100-175-250
- ⑥ **VOLTAGE:**
120v.-208v.-240v.-277v.
- ⑦ **REFRACTORS: (optional)**
80-4" glass type V
81-6" glass type V
82-6" glass type III
83-8" glass type V
84-8" glass type II
- ⑧ **PHOTO CONTROL: (optional)**
10-120 volt only.
11-208/277 volt.

① S ② 7838BP ③ BLK ④ CP ⑤ 100 ⑥ 120 ⑦ 81 ⑧ 10

For post selection, see tabbed section P.
Accessories selection, see tabbed section A.

350 Kindig Lane, Hanover, PA 17331

Phone: (717) 632-6464

Fax: (717) 632-5039

Email: sales@hanoverlantern.com

Web: www.hanoverlantern.com

Hanover®

LANTERN

Handcrafted in the USA

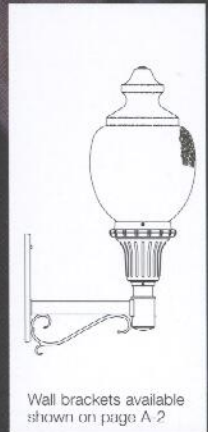
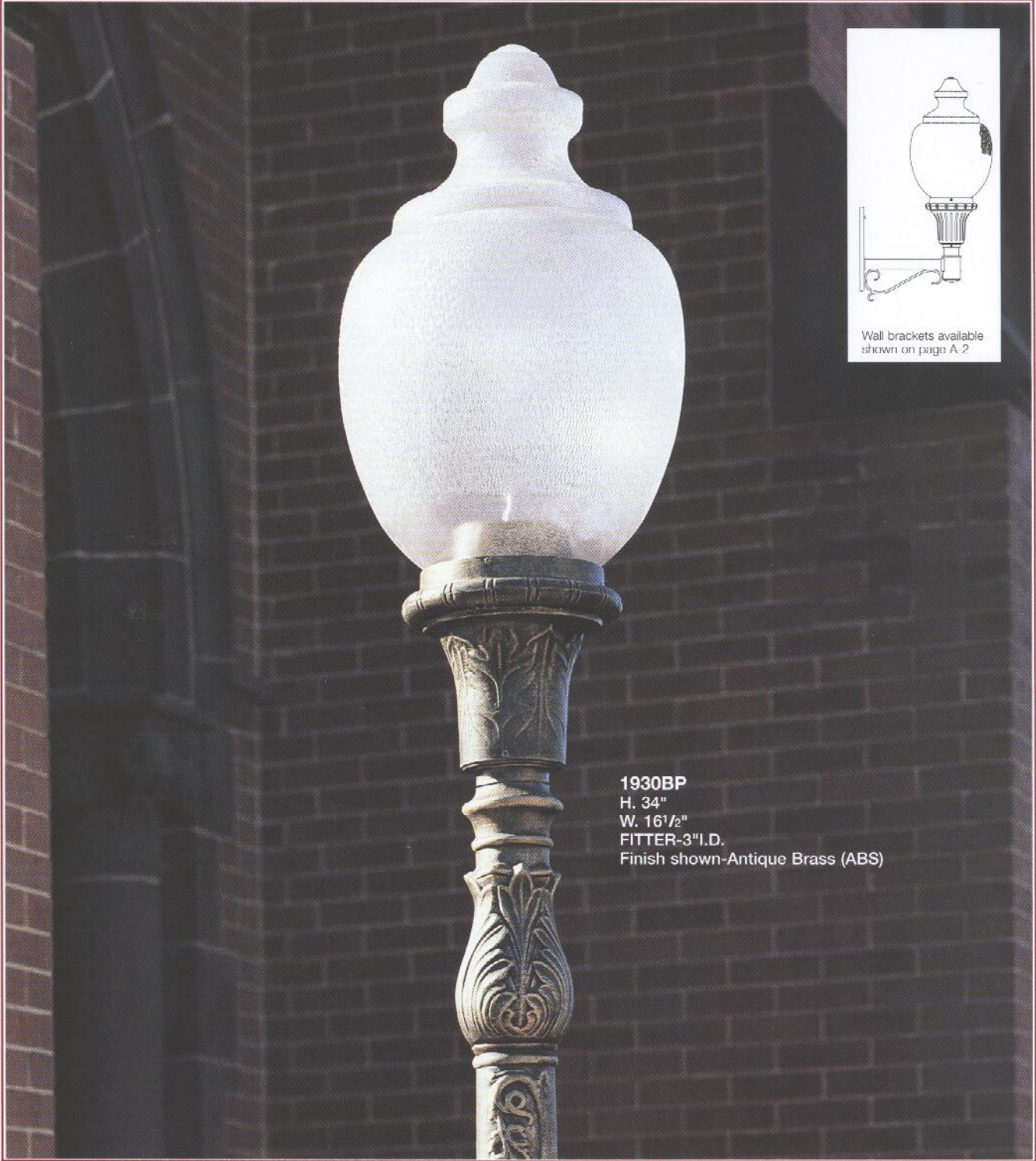
LAKEWOOD PARK

1930BP - 1932BP - 1940BP

1950BP - 1970BP - 1972BP

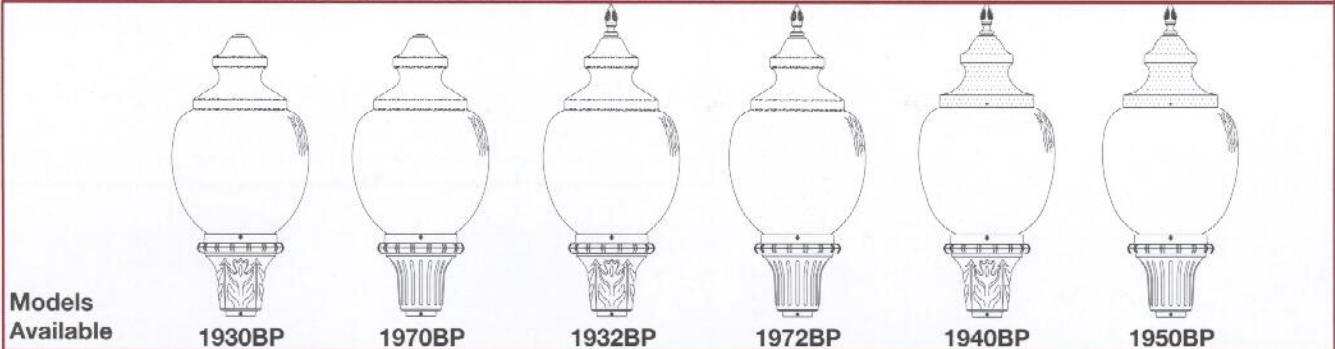
Sitescape®

SITE • ROADWAY • AREA LIGHTING



Wall brackets available shown on page A-2

1930BP
H. 34"
W. 16 1/2"
FITTER-3" I.D.
Finish shown-Antique Brass (ABS)



Models Available

1930BP

1970BP

1932BP

1972BP

1940BP

1950BP

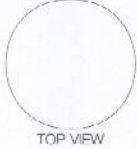
LAKESIDE PARK

1930BP - 1932BP - 1940BP
1950BP - 1970BP - 1972BP

Sitescape®

SITE • ROADWAY • AREA LIGHTING

FIXTURE SELECTION



TOP VIEW

2 1/2" MIN. TENON LENGTH FOR 1900 SERIES

HEIGHT:
WIDTH:
FITTER DIA.:

| FIXTURE NO. | INC. | M.V. | H.P.S. | M.H. | F.P.A. |
|-------------|------|------|--------|------|--------|
| 1930BP | 250w | 250w | 250w | 250w | 2.50 |
| 1970BP | 250w | 250w | 250w | 250w | 2.50 |
| 1932BP | 250w | 250w | 250w | 250w | 2.50 |
| 1972BP | 250w | 250w | 250w | 250w | 2.50 |
| 1940BP | 250w | 250w | 250w | 250w | 2.50 |
| 1950BP | 250w | 250w | 250w | 250w | 2.50 |

GLASS REFRACTORS AVAILABLE: 6" TYPE III OR V

GLASS REFRACTORS AVAILABLE: 6" TYPE III OR V

* SPUN ALUMINUM CAP

GLASS REFRACTORS AVAILABLE: 6" TYPE III OR V

34" 16 1/2" 3" I.D.

34" 16 1/2" 3" I.D.

38" 16 1/2" 3" I.D.

38" 16 1/2" 3" I.D.

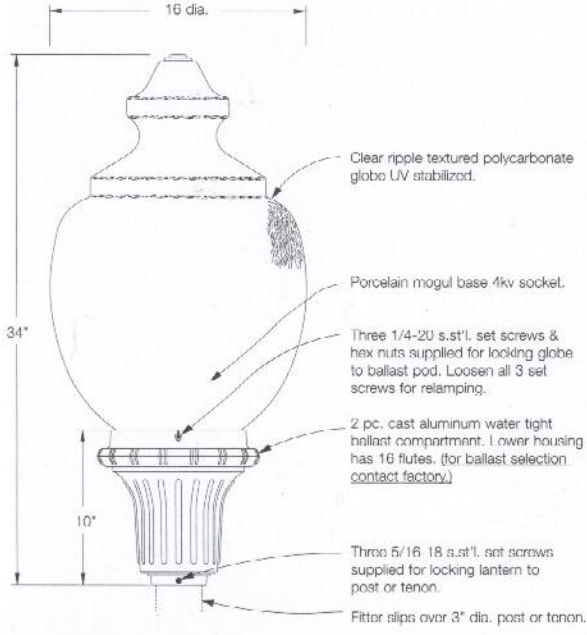
38" 16 1/2" 3" I.D.

38" 16 1/2" 3" I.D.

SPECIFICATIONS

MODEL No. shown 1970BP

E.P.A. - 2.50
Max. Wt. 30 lbs.

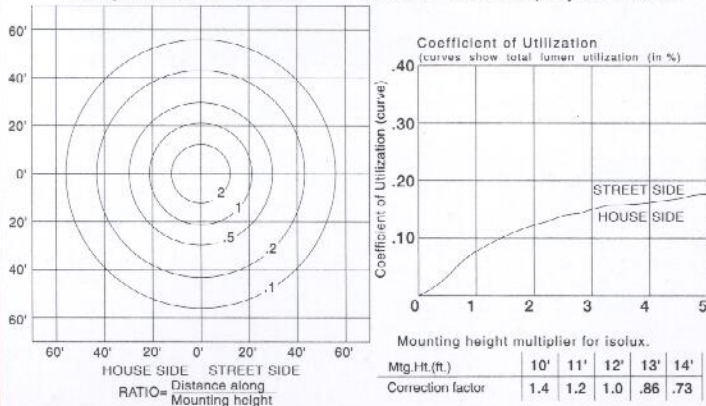


PHOTOMETRIC DATA

Symmetric Distribution

Fixture: 1930BP
Lamp: 150w H.P.S.
Lamp Lumens: 16,000

Optics: Type V
Mounting Height: 12'
Globe: Textured polycarbonate



FEATURES

SOURCES: (factory installed, prewired and tested).
INC.-(incandescent) 250 watt max.
MV (mercury vapor) 50 75-100-175-250 watt.
S-(high pressure sodium) 35-50-70-100-150-250 watt.
MH-(metal halide) 70-100-175-250 watt.

FINISHES:
All Hanover Lantern finishes available, see page 3 for selection.

GLOBES:
Clear textured polycarbonate, UV stabilized.

VOLTAGES:
120-208-240-277-Quad (contact factory for availability)

REFRACTORS: (optional) factory installed.
No. 81-6" borosilicate glass, type V distribution.
No. 82-6" borosilicate glass, type III distribution.

PHOTO CONTROL: (optional) factory installed.
No. 10-120 volt only.
No. 11-208 to 277 volt. (Must be installed in post only).

ORDERING GUIDE

To ensure prompt and efficient processing of your order, Please follow the sequence listed in the example below.

- SOURCE:**
INC.-incandescent
MV-mercury vapor
S-high pressure sodium
MH-metal halide
- MODEL NO.:**
1930BP 1940BP
1970BP 1950BP
1932BP
1972BP
- FINISH:**
See page 3 for selection.
- WATTAGE:**
MV 50 75-100-175-250
S-35-50-70-100-150-250
MH-70-100-175-250
- VOLTAGE:**
120v.-208v.-240v.-277v.
- REFRACTORS:**
No. 81-6" glass type V
No. 82-6" glass type III
- PHOTO CONTROL:** (optional)
No. 10-120 volt only.
No. 11-208/277 volt.

① S ② 1930BP ③ BLK ④ 100 ⑤ 120 ⑥ 81 ⑦ 10

For post selection, see tabbed section P.
Accessories selection, see tabbed section A.

350 Kindig Lane, Hanover, PA 17331
Phone: (717) 632-6464
Fax: (717) 632-5039
Email: sales@hanoverlantern.com
Web: www.hanoverlantern.com

Hanover®
LANTERN
Handcrafted in the USA

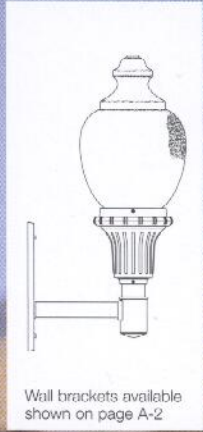
HYDE PARK

2130BP - 2132BP - 2170BP - 2172BP

Sitescape®

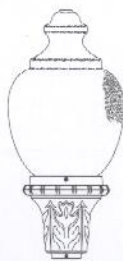
SITE • ROADWAY • AREA LIGHTING

Gettysburg College - Gettysburg, PA

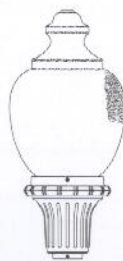


Wall brackets available shown on page A-2

2170BP
H. 30"
W. 14"
FITTER-3" I.D.
Finish shown-Verde (VGN)



2130BP



2170BP



2132BP



2172BP

Models Available


HYDE PARK

2130BP - 2132BP - 2170BP - 2172BP

Sitescape®

SITE • ROADWAY • AREA LIGHTING

FIXTURE SELECTION

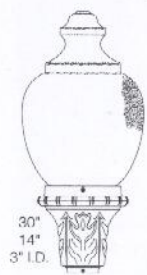


TOP VIEW

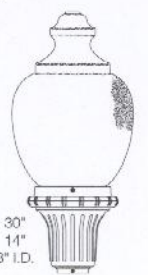
2 1/2" MIN. TENON LENGTH FOR 2100 SERIES

HEIGHT:
WIDTH:
FITTER DIA.:

GLASS REFRACTORS AVAILABLE 6" TYPE III OR V

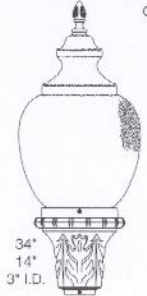


30"
14"
3" I.D.

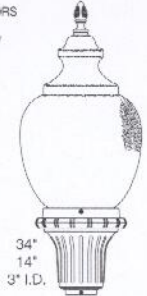


30"
14"
3" I.D.

GLASS REFRACTORS AVAILABLE 6" TYPE III OR V



34"
14"
3" I.D.



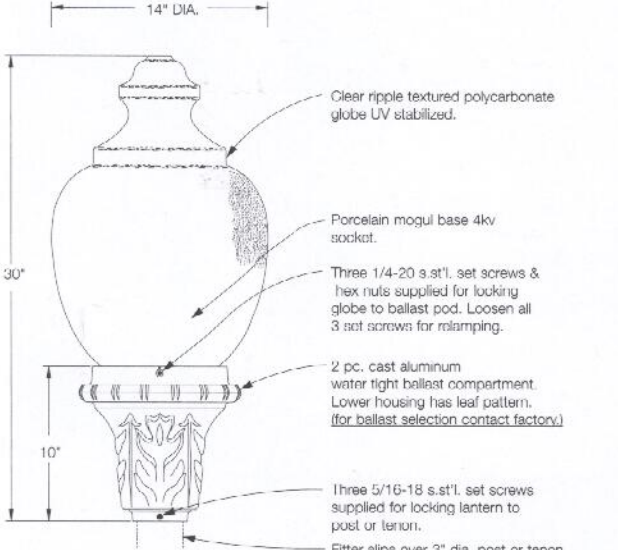
34"
14"
3" I.D.

| FIXTURE NO. | INC. | 2130BP | 2170BP | 2132BP | 2172BP |
|--------------|--------|--------|--------|--------|--------|
| MAX. WATTS - | M.V. | 200w | 200w | 200w | 200w |
| | H.P.S. | 175w | 175w | 175w | 175w |
| | M.H. | 150w | 150w | 150w | 150w |
| | E.P.A. | 1.70 | 1.60 | 1.70 | 1.62 |

SPECIFICATIONS

MODEL No. shown **2130BP**

E.P.A. -1.70
Max. Wt. 25 lbs



14" DIA.

30"

10"

Clear ripple textured polycarbonate globe UV stabilized.

Porcelain mogul base 4kv socket.

Three 1/4-20 s.st'l. set screws & hex nuts supplied for locking globe to ballast pod. Loosen all 3 set screws for relamping.

2 pc. cast aluminum water tight ballast compartment. Lower housing has leaf pattern. (for ballast selection contact factory)

Three 5/16-18 s.st'l. set screws supplied for locking lantern to post or tenon.

Fitter slips over 3" dia. post or tenon.

FEATURES

SOURCES: (factory installed, prewired and tested).
INC.-(incandescent) 200 watt max.
MV-(mercury vapor) 50-75-100-175 watt.
S (high pressure sodium) 35-50-70-100-150 watt.
MH-(metal halide) 50-70-100-175 watt.

FINISHES:
 All Hanover Lantern finishes available, see page 3 for selection.

GLOBES:
 Clear textured polycarbonate, UV stabilized.

VOLTAGES:
 120-208-240-277-Quad (contact factory for availability)

REFRACTORS:
 No. **81**-6" borosilicate glass, type V distribution.
 No. **82**-6" borosilicate glass, type III distribution.

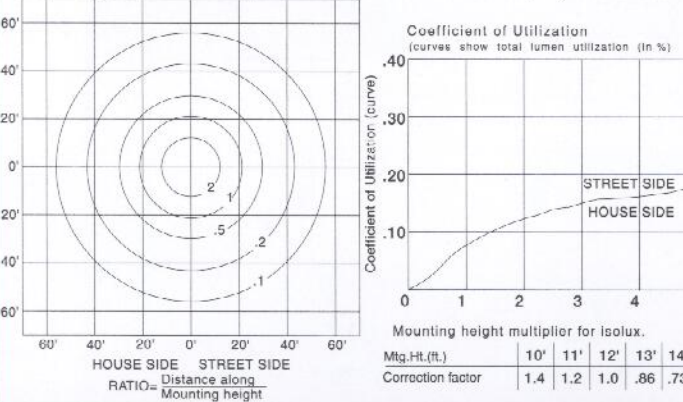
PHOTO CONTROL: (optional) factory installed.
 No. **10**-120 volt only.
 No. **11**-208 to 277 volt. (Must be installed in post only).

PHOTOMETRIC DATA

Symmetric Distribution

Fixture: 2170BP
Lamp: 150w H.P.S.
Lamp Lumens: 16,000

Optics: Type V
Mounting Height: 12'
Globe: Textured polycarbonate



Coefficient of Utilization (curves show total lumen utilization (in %))

Mounting height multiplier for isolux.

| Mtg.Ht.(ft.) | 10' | 11' | 12' | 13' | 14' |
|-------------------|-----|-----|-----|-----|-----|
| Correction factor | 1.4 | 1.2 | 1.0 | .86 | .73 |

HOUSE SIDE STREET SIDE
 RATIO = Distance along Mounting height

ORDERING GUIDE

To ensure prompt and efficient processing of your order, Please follow the sequence listed in the example below.

① **SOURCE:**
INC.-incandescent
MV-mercury vapor
S-high pressure sodium
MH-metal halide

② **MODEL NO.:**
2130BP
2170BP
2132BP
2172BP

③ **FINISH:**
 See page 3 for selection.

④ **WATTAGE:**
MV-50-75-100-175
S 35-50-70-100-150
MH-50-70-100-175

⑤ **VOLTAGE:**
 120v.-208v.-240v.-277v.

⑥ **REFRACTORS:**
 No. **81** 6" glass type V
 No. **82** 6" glass type III

⑦ **PHOTO CONTROL:** (optional)
 No. **10**-120 volt only.
 No. **11**-208/277 volt.

① ② ③ ④ ⑤ ⑥ ⑦

S 2130BP BLK 100 120 81 10

For post selection, see tabbed section P.
 Accessories selection, see tabbed section A.

350 Kindig Lane, Hanover, PA 17331
 Phone: (717) 632-6464
 Fax: (717) 632-5039
 Email: sales@hanoverlantern.com
 Web: www.hanoverlantern.com

Hanover®

LANTERN

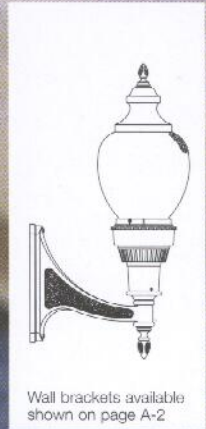
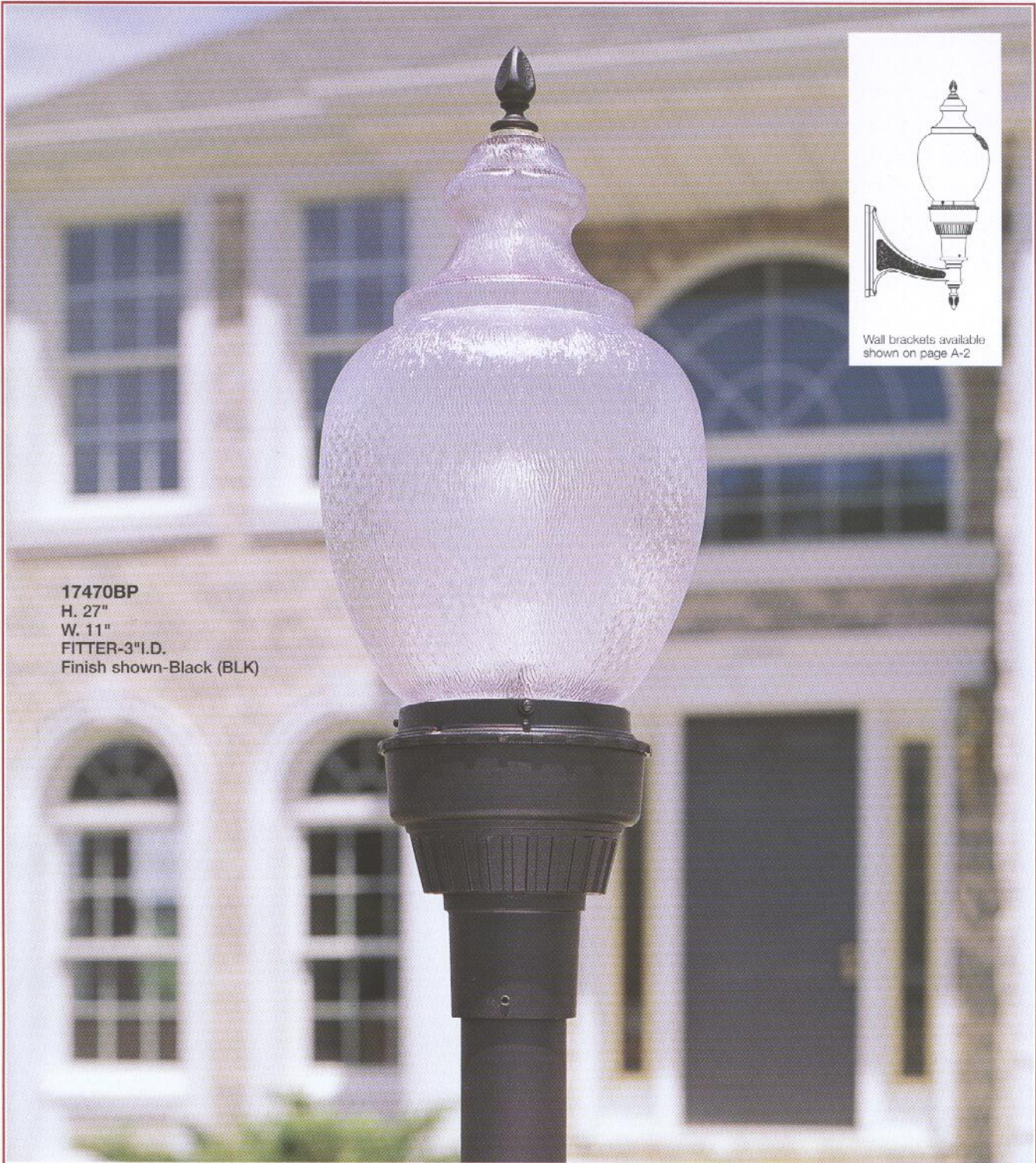
Handcrafted in the USA

CLIFTON PARK

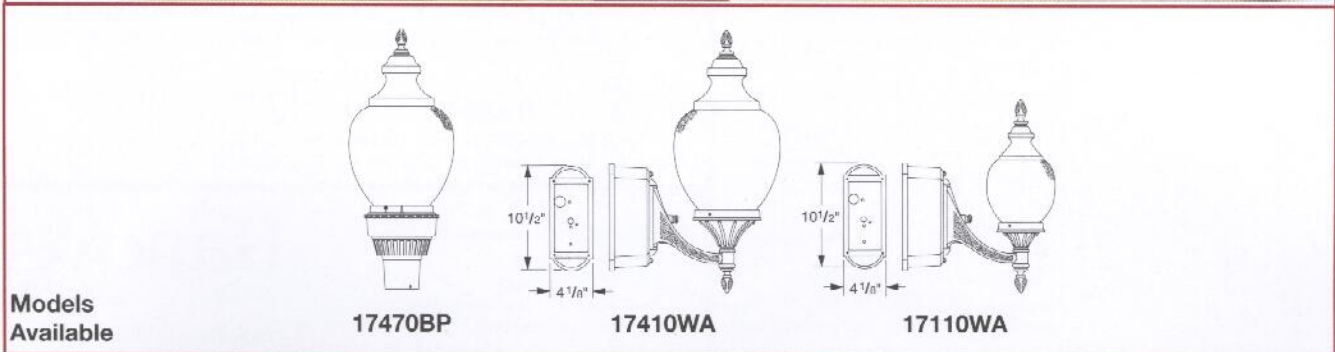
17110WA - 17410WA - 17470BP

Sitescape®

SITE • ROADWAY • AREA LIGHTING



17470BP
H. 27"
W. 11"
FITTER-3" I.D.
Finish shown-Black (BLK)



Models Available

17470BP

17410WA

17110WA

CLIFTON PARK

17110WA - 17410WA - 17470BP

Sitescape®

SITE • ROADWAY • AREA LIGHTING

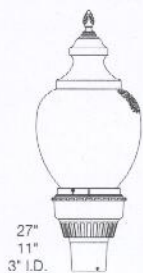
FIXTURE SELECTION



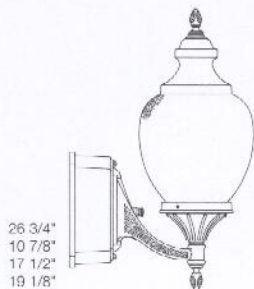
TOP VIEW

2 1/2" MIN. TENON LENGTH FOR 17400 SERIES

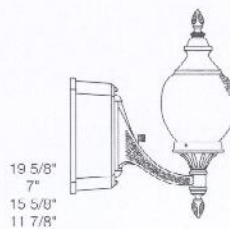
HEIGHT:
WIDTH:
FITTER DIA./PROJ.:
T/O:



17470BP
100w
100w
100w
70w
1.19



17410WA
100w
100w
100w
70w



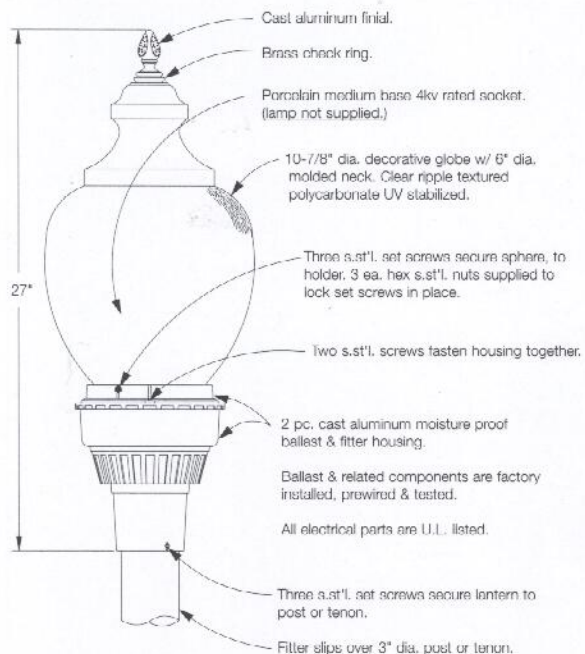
17110WA
60w
50w
50w
50w

FIXTURE NO.
MAX. WATTS -
INC.
M.V.
H.P.S.
M.H.
E.P.A.

SPECIFICATIONS

MODEL No. shown **17470BP**

E.P.A. - 1.19
Max. Wt. 25 lbs



FEATURES

SOURCES: (factory installed, prewired and tested).

INC.-(incandescent) 100 watt max.

MV-(mercury vapor) 50-75-100 watt.

S-(high pressure sodium) 35-50-70-100 watt.

MH-(metal halide) 50-70 watt.

FINISHES:

All Hanover Lantern finishes available, see page 3 for selection.

GLOBES:

Clear textured polycarbonate, UV stabilized.

VOLTAGES:

120-208-240-277-Quad (contact factory for availability)

PHOTO CONTROL: NOT AVAILABLE.

ORDERING GUIDE

To ensure prompt and efficient processing of your order, Please follow the sequence listed in the example below.

- ① **SOURCE:**
INC.-incandescent
MV-mercury vapor
S-high pressure sodium
MH-metal halide
- ② **MODEL NO.:**
17470BP
17410WA
17110WA
- ③ **FINISH:**
See page 3 for selection.
- ④ **WATTAGE:**
MV-50-75-100
S-35-50-70-100
MH 50-70
- ⑤ **VOLTAGE:**
120v.-208v.-240v.-277v.

① **S** ② **17470BP** ③ **BLK** ④ **100** ⑤ **120**

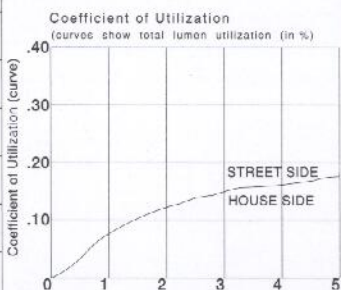
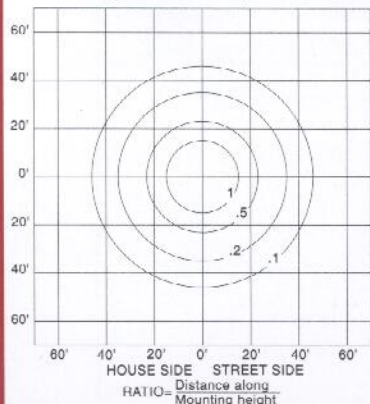
For post selection, see tabbed section P.
Accessories selection, see tabbed section A.

PHOTOMETRIC DATA

Symmetric Distribution

Fixture: 17470BP
Lamp: 100w H.P.S.
Lamp Lumens:9,500

Optics: Type V
Mounting Height: 12'
Globe: Textured polycarbonate



Mounting height multiplier for isolux.

| Mtg.Ht.(ft.) | 10' | 11' | 12' | 13' | 14' |
|-------------------|-----|-----|-----|-----|-----|
| Correction factor | 1.4 | 1.2 | 1.0 | .86 | .73 |

350 Kindig Lane, Hanover, PA 17331
Phone: (717) 632-6464
Fax: (717) 632-5039
Email: sales@hanoverlantern.com
Web: www.hanoverlantern.com

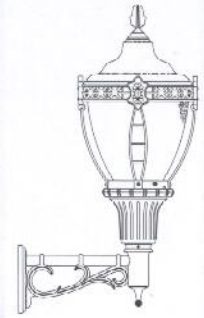
Hanover®
LANTERN
Handcrafted in the USA

GROSSE POINTE

3130BP - 3131BP - 3132BP - 3133BP - 3134BP
 3170BP - 3171BP - 3172BP - 3173BP - 3174BP

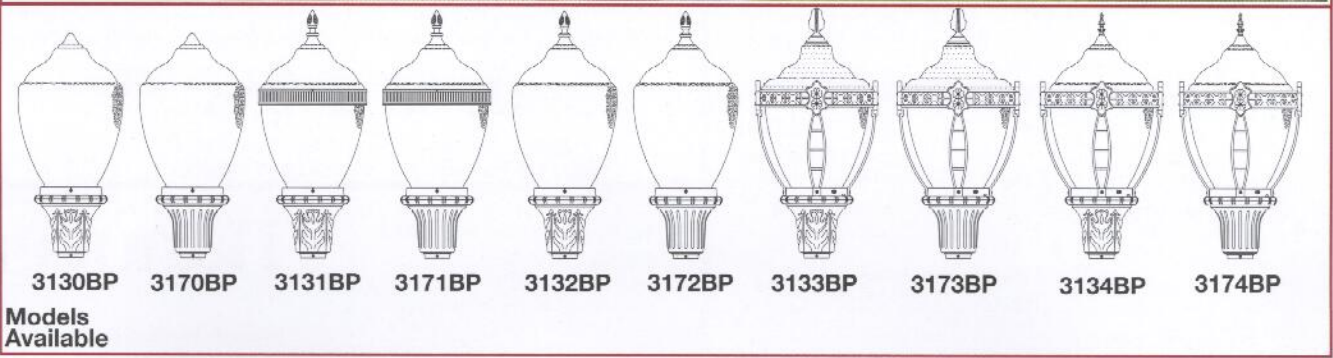
Sitescape®

SITE • ROADWAY • AREA LIGHTING



Wall brackets available shown on page A-2

3173BP
 H. 36"
 W. 17 1/2"
 FITTER-3" I.D.
 Finish shown-Black (BLK)



3130BP 3170BP 3131BP 3171BP 3132BP 3172BP 3133BP 3173BP 3134BP 3174BP

Models Available

GROSSE POINTE

3130BP - 3131BP - 3132BP - 3133BP - 3134BP
3170BP - 3171BP - 3172BP - 3173BP - 3174BP

Sitescape®

SITE • ROADWAY • AREA LIGHTING

FIXTURE SELECTION

TOP VIEW

GLASS REFRACTORS AVAILABLE 6" TYPE III OR V

GLASS REFRACTORS AVAILABLE 6" TYPE III OR V

GLASS REFRACTORS AVAILABLE 6" TYPE III OR V

GLASS REFRACTORS AVAILABLE 6" TYPE III OR V

GLASS REFRACTORS AVAILABLE 6" TYPE III OR V

* SPUN ALUMINUM TOP

2 1/2" MIN. TENON LENGTH FOR 3100 SERIES

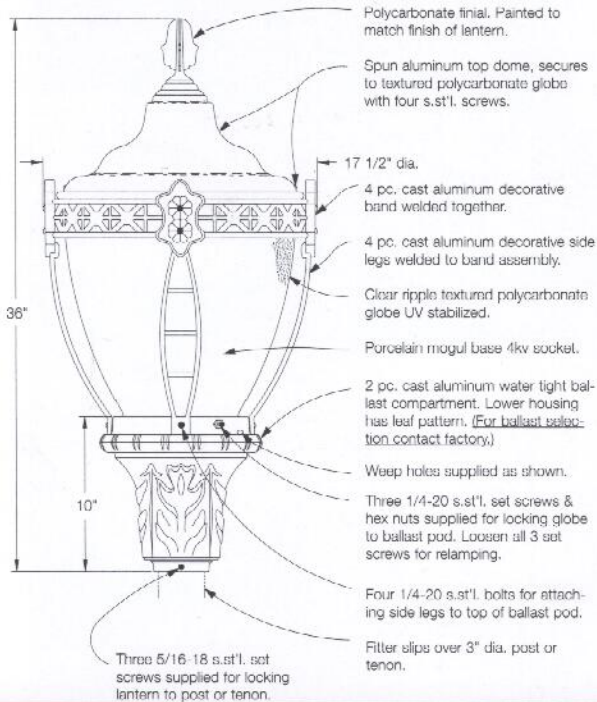
| | | | | | | | | | | |
|--------------|---------|---------|---------|---------|---------|---------|---------|---------|---------|---------|
| HEIGHT: | 32 1/4" | 32 1/4" | 35 1/2" | 35 1/2" | 35 1/2" | 35 1/2" | 36" | 36" | 35 1/2" | 35 1/2" |
| WIDTH: | 15" | 15" | 15 1/2" | 15 1/2" | 15" | 15" | 17 1/2" | 17 1/2" | 17 1/2" | 17 1/2" |
| FITTER DIA.: | 3" I.D. | 3" I.D. | 3" I.D. | 3" I.D. | 3" I.D. | 3" I.D. | 3" I.D. | 3" I.D. | 3" I.D. | 3" I.D. |

| | | | | | | | | | | |
|----------------|--------|--------|--------|--------|--------|--------|--------|--------|--------|--------|
| FIXTURE NO. | 3130BP | 3170BP | 3131BP | 3171BP | 3132BP | 3172BP | 3133BP | 3173BP | 3134BP | 3174BP |
| MAX WATTS INC. | 250w | 250w | 250w | 250w | 250w | 250w | 250w | 250w | 250w | 250w |
| M.V. | 250w | 250w | 250w | 250w | 250w | 250w | 250w | 250w | 250w | 250w |
| H.P.S. | 250w | 250w | 250w | 250w | 250w | 250w | 250w | 250w | 250w | 250w |
| M.H. | 250w | 250w | 250w | 250w | 250w | 250w | 250w | 250w | 250w | 250w |
| E.P.A. | 1.94 | 1.94 | 1.96 | 1.96 | 1.96 | 1.96 | 2.02 | 2.02 | 2.02 | 2.02 |

SPECIFICATIONS

MODEL No. shown 3133BP

E.P.A. - 2.02
Max. Wt. 30 lbs



FEATURES

SOURCES: (factory installed, prewired and tested).

INC.-(incandescent) 250 watt max.

MV-(mercury vapor) 50-75-100-175-250 watt.

S-(high pressure sodium) 35-50-70-100-150-250 watt.

MH-(metal halide) 70-100-175-250 watt.

FINISHES:

All Hanover Lantern finishes available, see page 3 for selection.

GLOBES:

Clear textured polycarbonate, UV stabilized.

VOLTAGES:

120-208-240-277-Quad (contact factory for availability)

REFRACTORS:

No. 81-6" borosilicate glass, type V distribution.

No. 82-6" borosilicate glass, type III distribution.

PHOTO CONTROL: (optional) factory installed.

No. 10-120 volt only.

No. 11-208 to 277 volt. (Must be installed in post only).

ORDERING GUIDE

To ensure prompt and efficient processing of your order, Please follow the sequence listed in the example below.

- SOURCE:**
INC.-incandescent
MV-mercury vapor
S-high pressure sodium
MH-metal halide
- MODEL NO.:**
3130BP 3132BP 3134BP
3170BP 3172BP 3174BP
3131BP 3133BP
3171BP 3173BP
- FINISH:**
See page 3 for selection.
- WATTAGE:**
MV-50-75-100-175-250
S-35-50-70-100-150-250
MH-70-100-175-250
- VOLTAGE:**
120v.-208v.-240v.-277v.
- REFRACTORS:** (optional)
No. 81-6" glass type V
No. 82-6" glass type III
- PHOTO CONTROL:** (optional)
No. 10-120 volt only.
No. 11 208/277 volt.

① S ② 3130BP ③ BLK ④ 100 ⑤ 120 ⑥ 81 ⑦ 10

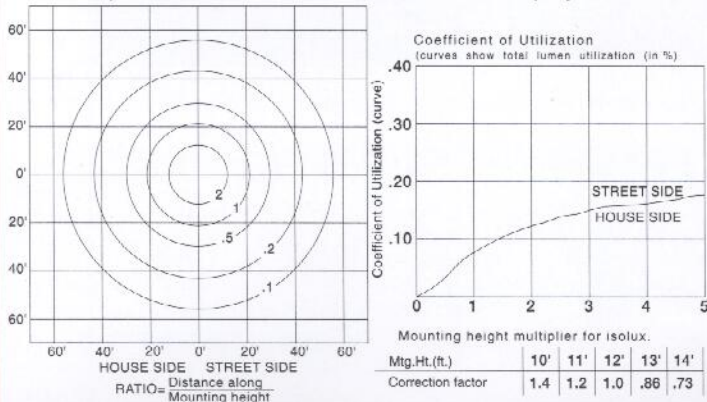
For post selection, see tabbed section P.
Accessories selection, see tabbed section A.

PHOTOMETRIC DATA

Symmetric Distribution

Fixture: 3130BP
Lamp: 150w H.P.S.
Lamp Lumens: 16,000

Optics: Type V
Mounting Height: 12'
Globe: Textured polycarbonate



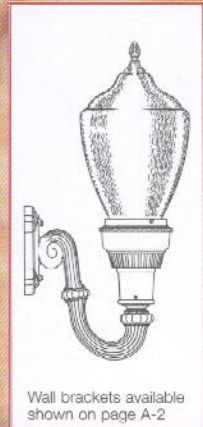
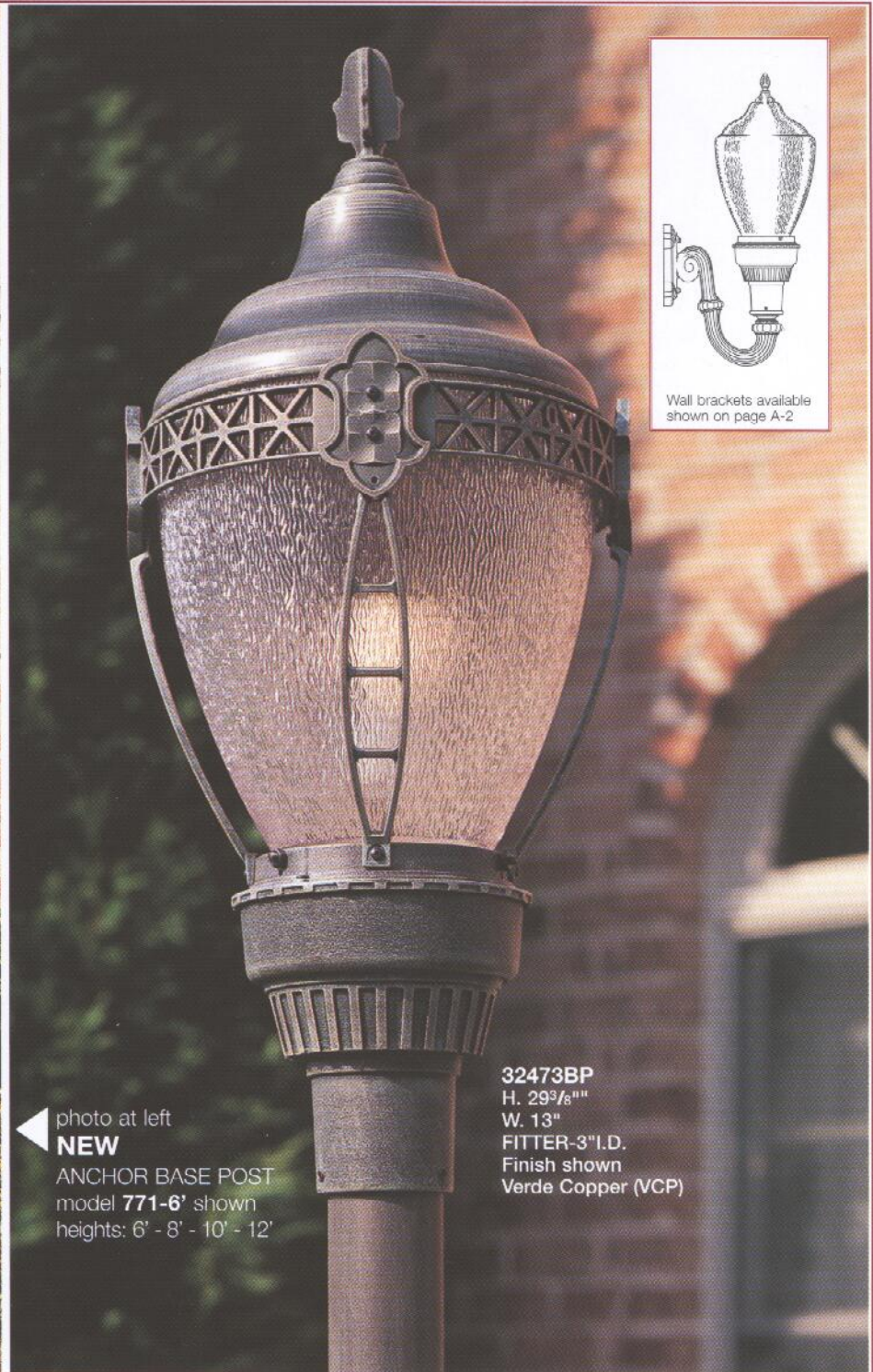
GROSSE POINTE (medium)

32470BP - 32471BP - 32472BP

32473BP - 32474BP

Sitescape®

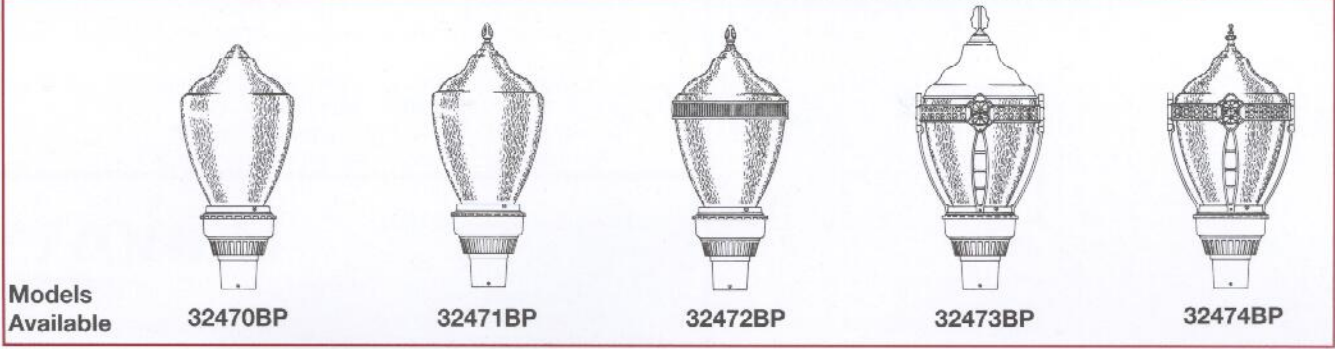
SITE • ROADWAY • AREA LIGHTING



Wall brackets available shown on page A-2

photo at left
NEW
 ANCHOR BASE POST
 model 771-6' shown
 heights: 6' - 8' - 10' - 12'

32473BP
 H. 29³/₈"
 W. 13"
 FITTER-3" I.D.
 Finish shown
 Verde Copper (VCP)



Models Available

32470BP

32471BP

32472BP

32473BP

32474BP

GROSSE POINTE (medium)

32470BP - 32471BP - 32472BP

32473BP - 32474BP

Sitescape®

SITE • ROADWAY • AREA LIGHTING

FIXTURE SELECTION



TOP VIEW

2 1/2" MIN. TENON LENGTH FOR 32400 SERIES

HEIGHT:
WIDTH:
FITTER DIA.:

25 3/8"
11 1/2"
3" I.D.



32470BP

27 3/8"
11 1/2"
3" I.D.



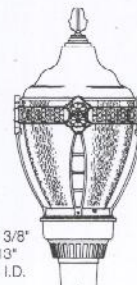
32471BP

27 3/8"
11 7/8"
3" I.D.



32472BP

29 3/8"
13"
3" I.D.



32473BP

27 1/2"
13"
3" I.D.



32474BP

| FIXTURE NO. | INC. | M.V. | H.P.S. | M.H. | E.P.A. |
|-------------|------|------|--------|------|--------|
| 32470BP | 100w | 100w | 100w | 70w | 1.22 |

| | | | | | |
|---------|------|------|------|-----|------|
| 32471BP | 100w | 100w | 100w | 70w | 1.26 |
|---------|------|------|------|-----|------|

| | | | | | |
|---------|------|------|------|-----|------|
| 32472BP | 100w | 100w | 100w | 70w | 1.26 |
|---------|------|------|------|-----|------|

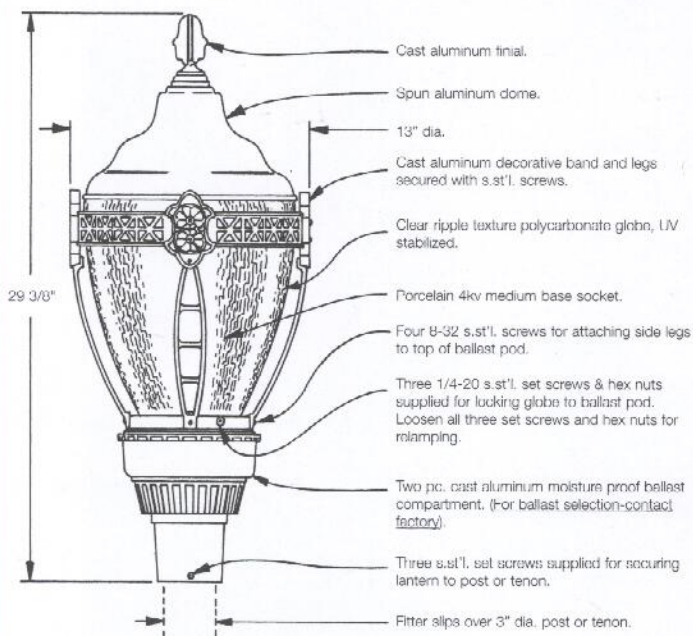
| | | | | | |
|---------|------|------|------|-----|------|
| 32473BP | 100w | 100w | 100w | 70w | 1.36 |
|---------|------|------|------|-----|------|

| | | | | | |
|---------|------|------|------|-----|------|
| 32474BP | 100w | 100w | 100w | 70w | 1.36 |
|---------|------|------|------|-----|------|

SPECIFICATIONS

MODEL No. shown 32473BP

E.P.A. - 1.36
Max. Wt. 13.2 lbs



FEATURES

SOURCES: (factory installed, prewired and tested).

INC.-(incandescent) 100 watt max.

MV-(mercury vapor) 50-/5-100 watt.

S (high pressure sodium) 35-50-70-100 watt.

MH-(metal halide) 50-70 watt.

FINISHES:

All Hanover Lantern finishes available, see page 3 for selection.

GLOBES:

Clear texture polycarbonate, UV stabilized.

VOLTAGES:

120-208-240-277- QUAD (contact factory for availability)
(100 watt high pressure sodium - 120 volt H.P.F. only).

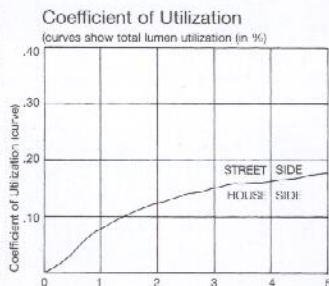
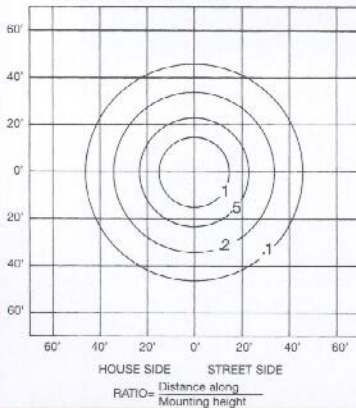
PHOTO CONTROL: NOT AVAILABLE..

PHOTOMETRIC DATA

Symmetric Distribution

Fixture: 32473BP
Lamp: 100w H.P.S.
Lamp Lumens: 9,500

Optics: Type V
Mounting Height: 12'
Globe: Textured Polycarbonate



Mounting height multiplier for isolux.

| Mtg. Ht. (ft.) | 10' | 11' | 12' | 13' | 14' |
|-------------------|-----|-----|-----|-----|-----|
| Correction factor | 1.4 | 1.2 | 1.0 | .86 | .73 |

ORDERING GUIDE

To ensure prompt and efficient processing of your order, Please follow the sequence listed in the example below.

- SOURCE:**
INC.-incandescent
MV-mercury vapor
S-high pressure sodium
MH-metal halide
- MODEL NO.:**
32470BP
32471BP
32472BP
32473BP
32474BP
- FINISH:**
See page 3 for selection.
- WATTAGE:**
MV 50 75-100
S-35-50-70-100
MH-50-70
- VOLTAGE:**
120v.-208v.-240v.-277v.
(S - 100w., 120v.H.P.F. only)

① S ② 32470BP ③ BLK ④ 100 ⑤ 120

For post selection, see tabbed section P.
Accessories selection, see tabbed section A.

350 Kindig Lane, Hanover, PA 17331
Phone: (717) 632-6464
Fax: (717) 632-5039
Email: sales@hanoverlantern.com
Web: www.hanoverlantern.com

Hanover®
LANTERN
Handcrafted in the USA

GROSSE POINTE

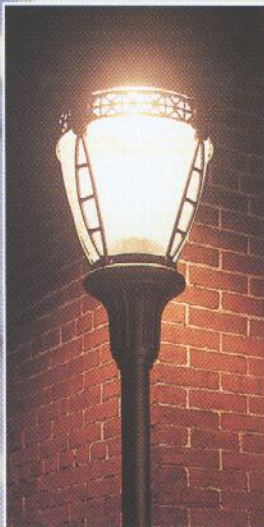
3176BP - 3177BP

Sitescape®

SITE • ROADWAY • AREA LIGHTING

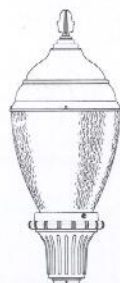


Wall brackets available shown on page A-2



Unretouched photo of CUT-OFF OPTICS

3177BP
H. 38¹/₈"
W. 17⁵/₈"
FITTER-3" I.D.
Finish shown-
Weathered Bronze (WBZ)



3176BP



3177BP

Models Available

FIXTURE SELECTION

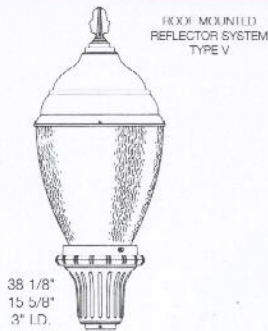


TOP VIEW

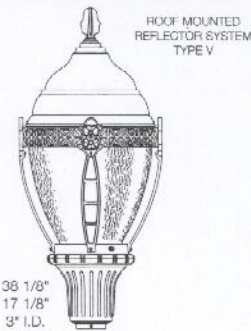
2 1/2" MIN. TENON LENGTH FOR 3100 SERIES

HEIGHT:
WIDTH:
FITTER DIA.:

FIXTURE NO.
MAX. WATTS - INC.
M.V.
H.P.S.
M.H.
E.P.A.



3176BP
200w
175w
150w
175w
2.30

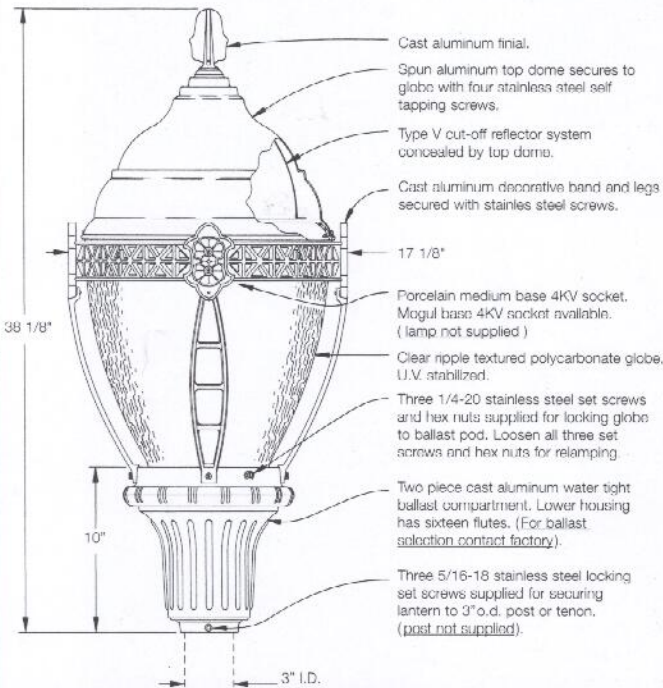


3177BP
200w
175w
150w
175w
2.35

SPECIFICATIONS

MODEL No. shown **3177BP**

F.P.A. - 2.35
Max. Wt. 32 lbs

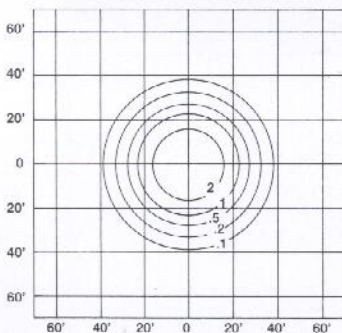


PHOTOMETRIC DATA

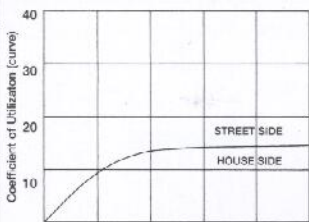
Symmetric Distribution

Fixture: 3177BP
Lamp: 150w H.P.S.
Lamp Lumens: 16,000

Optics: Type V
Mounting Height: 12'
Panels: Textured Polycarbonate



Coefficient of Utilization (curves show total lumen utilization in %)



| Mtg.Ht.(ft.) | 10' | 11' | 12' | 13' | 14' |
|-------------------|-----|-----|-----|-----|-----|
| Correction factor | 1.4 | 1.2 | 1.0 | .86 | .73 |

HOUSE SIDE STREET SIDE
RATIO = $\frac{\text{Distance along Mounting height}}{\text{Mounting height}}$

FEATURES

SOURCES: (factory installed, prewired and tested).

INC.-(incandescent) 200 watt max.
MV-(mercury vapor) 50-75-100-175 watt.
S-(high pressure sodium) 35-50-70-100-150 watt.
MH-(metal halide) 70-100-175 watt.

FINISHES:

All Hanover Lantern finishes available, see page 3 for selection.

GLOBES:

Clear texture polycarbonate, UV stabilized.

VOLTAGES:

120-208-240-277-QUAD (contact factory for availability)

PHOTO CONTROL: (optional) factory installed.

No. 10-120 volt only.
No. 11-208 to 277 volt. (Must be installed in post only).

ORDERING GUIDE

To ensure prompt and efficient processing of your order, Please follow the sequence listed in the example below.

- SOURCE:**
INC -incandescent
MV-mercury vapor
S-high pressure sodium
MH-metal halide
- MODEL NO.:**
3176BP
3177BP
- FINISH:**
See page 3 for selection.
- WATTAGE:**
MV-50-75-100-175
S-35-50-70-100-150
MH-50-70-100-175
- VOLTAGE:**
120v.-208v.-240v.-277v.
- PHOTO CONTROL: (optional)**
No. 10-120 volt only.
No. 11-208/277 volt.

① S ② 3177BP ③ WBZ ④ 150 ⑤ 120 ⑥ 10

For post selection, see tabbed section P.
Accessories selection, see tabbed section A.

350 Kindig Lane, Hanover, PA 17331

Phone: (717) 632-6464

Fax: (717) 632-5039

Email: sales@hanoverlantern.com

Web: www.hanoverlantern.com

Hanover®

LANTERN

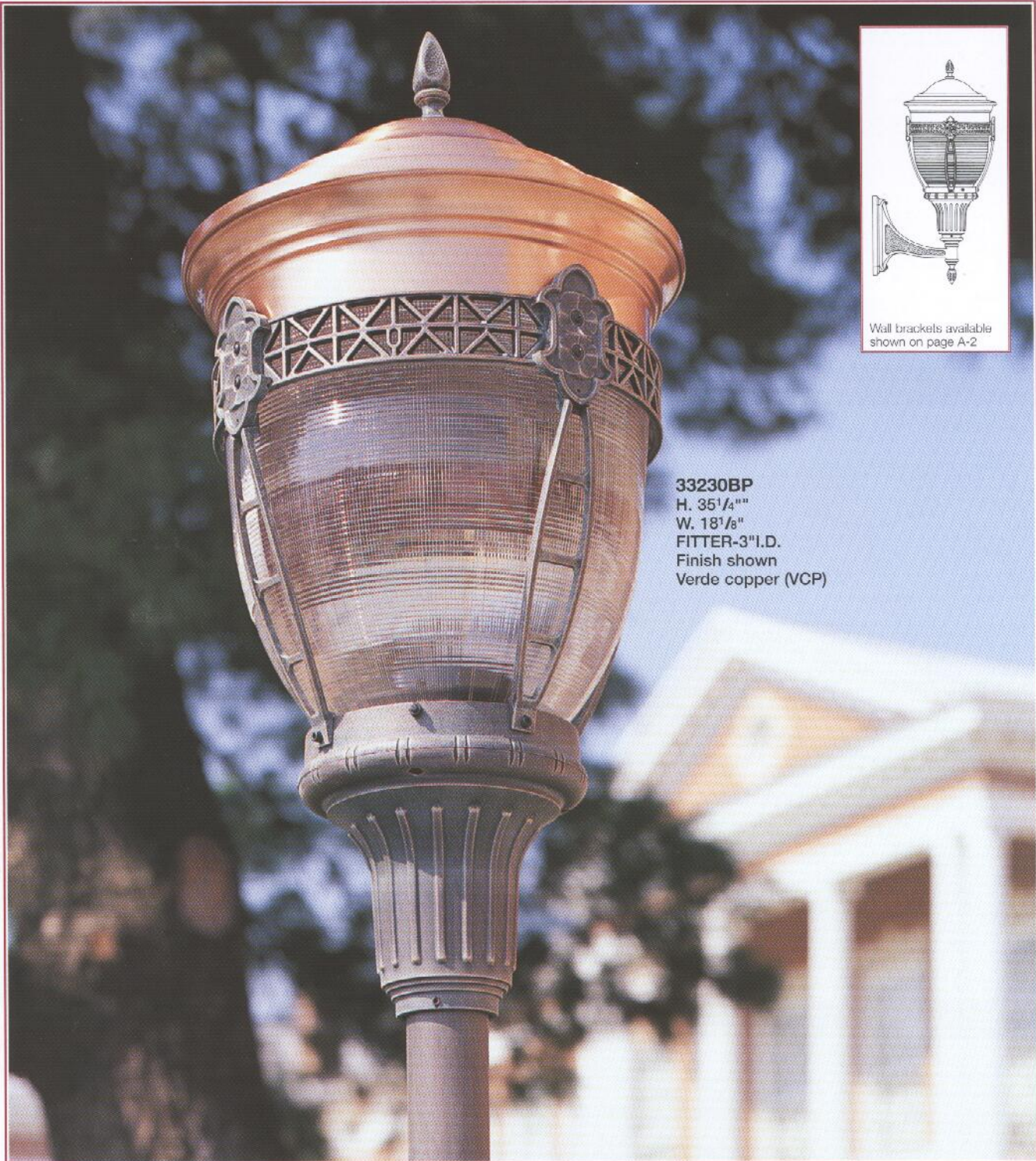
Handcrafted in the USA

NORTH HILLS

33200BP - 33230BP

Sitescape®

SITE • ROADWAY • AREA LIGHTING



Wall brackets available shown on page A-2

33230BP
H. 35 1/4"
W. 18 1/8"
FITTER-3" I.D.
Finish shown
Verde copper (VCP)

Models Available



33200BP

DOME
spun copper or painted spun aluminum
(copper will age to a natural patina)



33230BP

FIXTURE SELECTION



UV STABILIZED ACRYLIC OR POLYCARBONATE REFRACTORS TYPE III or V

2 1/2" MIN. TENON LENGTH FOR 33200 SERIES

HEIGHT:
WIDTH:
FITTER DIA.:

FIXTURE NO.

MAX. WATTS - INC.
M.V.
H.P.S.
M.H.
E.P.A.

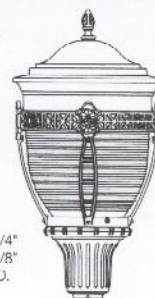


35 1/4"
18 1/8"
3" I.D.

33200BP

250w
250w
250w
250w
2.15

DOMES
spun copper or painted spun aluminum
(copper will age to a natural patina)



35 1/4"
18 1/8"
3" I.D.

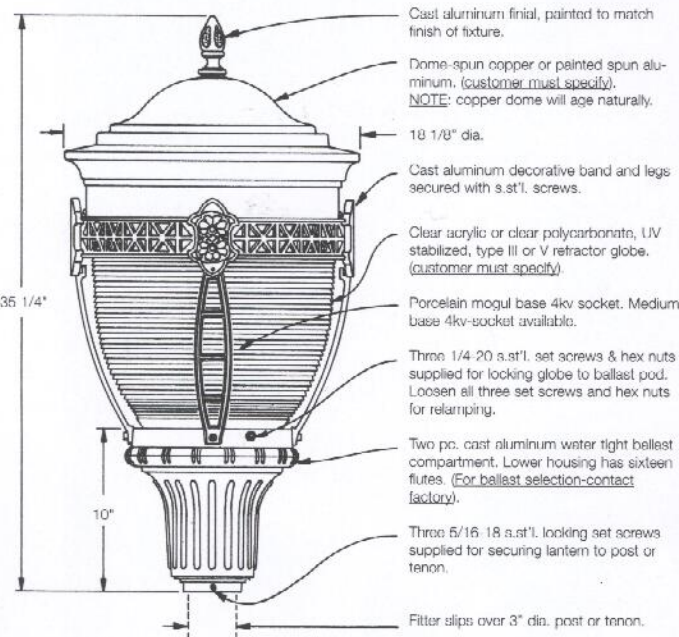
33230BP

250w
250w
250w
250w
2.15

SPECIFICATIONS

MODEL No. shown 33230BP

E.P.A. - 2.15
Max. Wt. 33 lbs

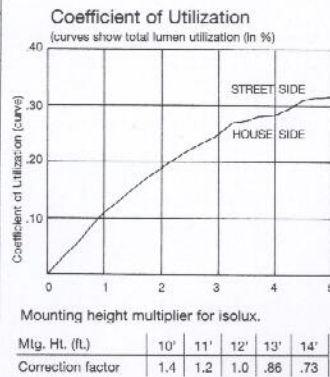
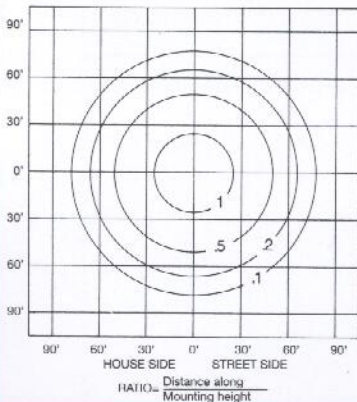


PHOTOMETRIC DATA

Symmetric Distribution

Fixture: 33200BP
Lamp: 150w H.P.S.
Lamp Lumens: 16,000

Optics: Type V
Mounting Height: 12'
Globe: Polycarbonate refractive



FEATURES

SOURCES: (factory installed, prewired and tested).

INC.-(incandescent) 250 watt max.
MV-(mercury vapor) 50-75-100-175-250 watt.
S-(high pressure sodium) 35-50-70-100-150-250 watt.
MH-(metal halide) 70-100-175-250 watt.

FINISHES:

All Hanover Lantern finishes available, see page 3 for selection.

FIXTURES:

33200BP
33230BP

DOMES:

CD - Spun copper dome. (copper will age to a natural patina).
AD - Spun aluminum dome, painted to match fixture finish.

GLOBES: (customer must specify).

CA-III - Clear acrylic refractive globe, Type III (max. watts- INC, MV, MH-175w. HPS-150w.)
CA-V - Clear acrylic refractive globe, Type V (max. watts- INC, MV, MH-175w. HPS-150w.)
CP-III - Clear polycarbonate refractive globe, Type III (max. watts- INC, MV, MH, HPS-250w.)
CP-V - Clear polycarbonate refractive globe, Type V (max. watts- INC, MV, MH, HPS-250w.)

VOLTAGES:

120-208-240-277- QUAD (contact factory for availability)

PHOTO CONTROL: (optional) factory installed.

No. 10-120 volt only.
No. 11 208 to 277 volt. (Must be installed in post only.)

ORDERING GUIDE

To ensure prompt and efficient processing of your order, Please follow the sequence listed in the example below.

- ① **SOURCE:**
INC - incandescent
MV - mercury vapor
S - high pressure sodium
MH - metal halide
- ② **FIXTURE NO.:**
33200BP
33230BP
- ③ **DOMES:**
CD - Spun copper dome.
AD - Spun aluminum dome (painted).
- ④ **GLOBES:**
CA-III - Clear acrylic refractive globe, type III.
CA-V - Clear acrylic refractive globe, type V.
CP-III - Clear polycarbonate refractive globe, type III.
CP-V - Clear polycarbonate refractive globe, type V.
- ⑤ **FINISH:**
See page 3 for selection.
- ⑥ **WATTAGE:**
MV-50-75-100-175-250
S-35-50-70-100-150-175-250
MH-50-70-100-175-250
- ⑦ **VOLTAGE:**
120v.-208v.-240v.-277v.
- ⑧ **PHOTO CONTROL:** (optional)
No. 10-120 volt only.
No. 11-208/277 volt.

① ② ③ ④ ⑤ ⑥ ⑦ ⑧
S 33230BP CD CP-V VCP 100 120 10

For post selection, see tabbed section P.
Accessories selection, see tabbed section A.

350 Kindig Lane, Hanover, PA 17331

Phone: (717) 632-6464

Fax: (717) 632-5039

Email: sales@hanoverlantern.com

Web: www.hanoverlantern.com

Hanover®

LANTERN

Handcrafted in the USA

NORTH HILLS (medium)

33030BP - 33030R5 - 33031BP
 33031R5 - 33081SBP - 33082SBP

Sitescape®

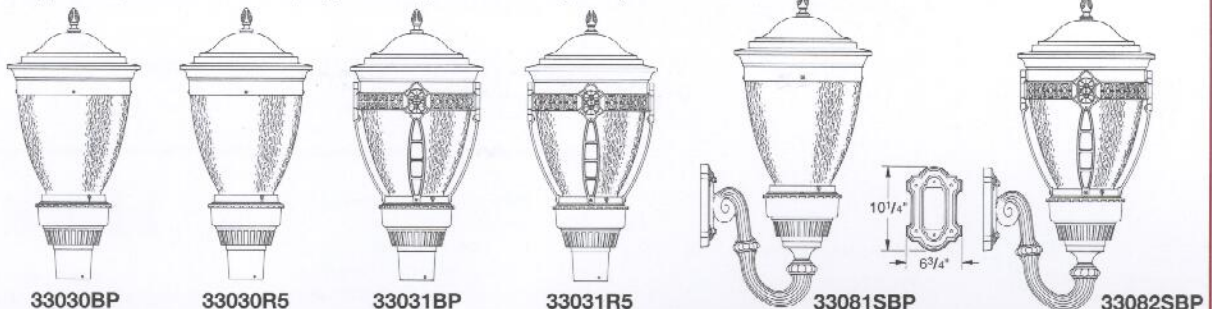
SITE • ROADWAY • AREA LIGHTING



Photo illustrates the size comparison of the 33000 series (med) and 33200 series (lg.).

33031BP
 H. 27⁷/₈"
 W. 13⁵/₈"
 FITTER - 3" I.D.
 Finish shown
 Verde Copper (VCP)
 Spun copper dome will age
 to a natural patina.

DOME: spun copper or painted aluminum (*copper will age to a natural patina*).



Models Available

33030BP

33030R5

33031BP

33031R5

33081SBP

33082SBP

NORTH HILLS (medium)

33030BP - 33030R5 - 33031BP
33031R5 - 33081SBP - 33082SBP

Sitescape®

SITE • ROADWAY • AREA LIGHTING

FIXTURE SELECTION

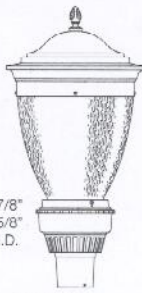
DOME: spun copper or painted aluminum (copper will age to a natural patina).



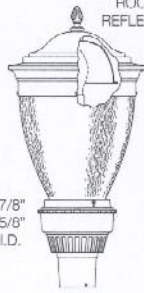
TOP VIEW

2 1/2" MIN. TENON LENGTH FOR 33000 SERIES

HEIGHT: 27 7/8"
WIDTH: 13 5/8"
FITTER DIA./PROJ.: 3" I.D.
T/O:



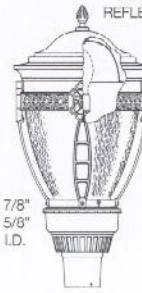
33030BP



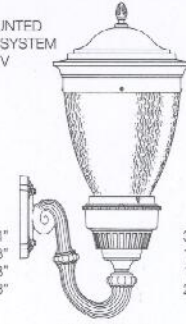
33030R5



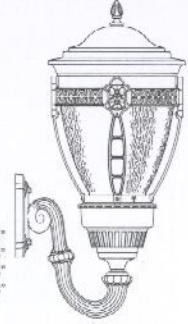
33031BP



33031R5



33081SBP



33082SBP

FIXTURE NO.
MAX. WATTS -

INC. 100w
M.V. 100w
H.P.S. 100w
M.H. 70w
E.P.A. 1.43

INC. 100w
M.V. 100w
H.P.S. 100w
M.H. 70w
E.P.A. 1.43

INC. 100w
M.V. 100w
H.P.S. 100w
M.H. 70w
E.P.A. 1.43

INC. 100w
M.V. 100w
H.P.S. 100w
M.H. 70w
E.P.A. 1.53

INC. 100w
M.V. 100w
H.P.S. 100w
M.H. 70w
E.P.A. 1.53

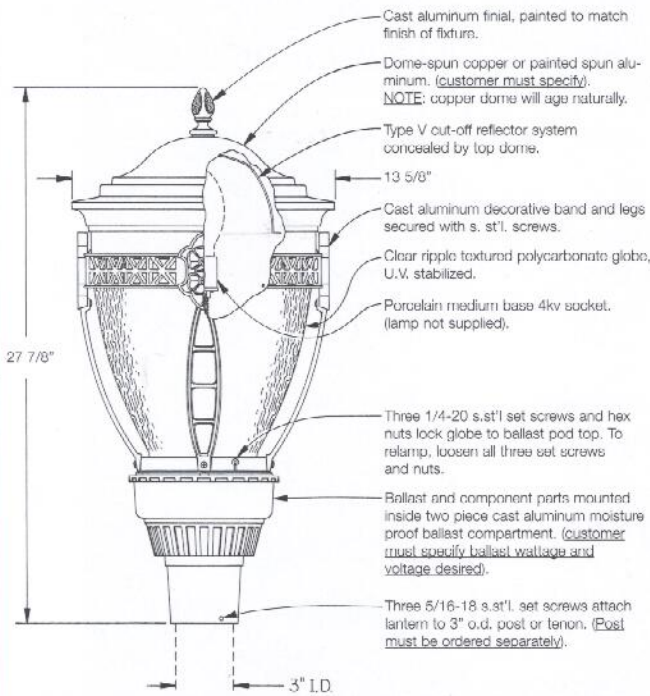
INC. 100w
M.V. 100w
H.P.S. 100w
M.H. 70w
E.P.A. 70w

INC. 100w
M.V. 100w
H.P.S. 100w
M.H. 70w
E.P.A. 70w

SPECIFICATIONS

MODEL No. shown 33031R5

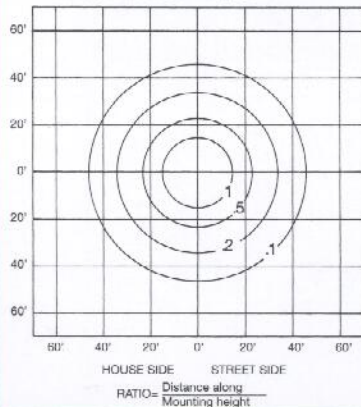
E.P.A. - 1.53
Max. WL 17.1 lbs



PHOTOMETRIC DATA

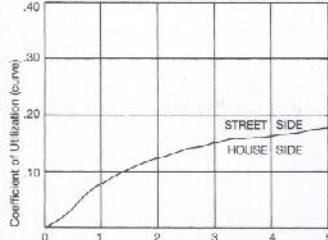
Symmetric Distribution

Fixture: 33031BP Optics: Type V
Lamp: 100w H.P.S. Mounting Height: 12'
Lamp Lumens: 9,500 Globe: Textured Polycarbonate



Coefficient of Utilization

(curves show total lumen utilization (in %))



FEATURES

SOURCES: (factory installed, prewired and tested).

INC.-(incandescent) 100 watt max.

MV-(mercury vapor) 50-75-100 watt.

S-(high pressure sodium) 30-50-70-100 watt.

MH-(metal halide) 50-70 watt.

FINISHES:

All Hanover Lantern finishes available, see page 3 for selection.

FIXTURES:

| | |
|---------|----------|
| 33030BP | 33031R5 |
| 33030R5 | 33081SBP |
| 33031BP | 33082SBP |

DOMES:

CD - Spun copper dome. (copper will age to a natural patina).

AD - Spun aluminum dome, painted to match fixture finish.

GLOBES:

Clear texture polycarbonate, UV stabilized.

VOLTAGES:

120-208-240-277-QUAD (contact factory for availability)
(100 watt high pressure sodium - 120 volt H.P.F. only)

PHOTO CONTROL: NOT AVAILABLE.

ORDERING GUIDE

To ensure prompt and efficient processing of your order, please follow the sequence listed in the example below.

- | | |
|--|---|
| ① SOURCE: INC.-incandescent MV-mercury vapor S-high pressure sodium MH-metal halide | ④ FINISH: See page 3 for selection. |
| ② MODEL NO.: 33030BP 33031R5 33030R5 33081SBP 33031BP 33082SBP | ⑤ WATTAGE: MV-50-75-100 S-35-50-70-100 MH-50-70 |
| ③ DOMES: CD - Spun copper dome. AD - Spun aluminum dome (painted). | ⑥ VOLTAGE: 120v, 208v, 240v, 277v. (S - 100v., 120v.H.P.F. only) |

① S ② 33031BP ③ CD ④ BLK ⑤ 100 ⑥ 120

For post selection, see tabbed section P.
Accessories selection, see tabbed section A.

350 Kindig Lane, Hanover, PA 17331

Phone: (717) 632-6464

Fax: (717) 632-5039

Email: sales@hanoverlantern.com

Web: www.hanoverlantern.com

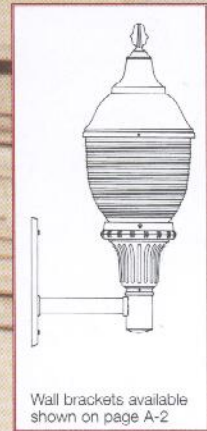
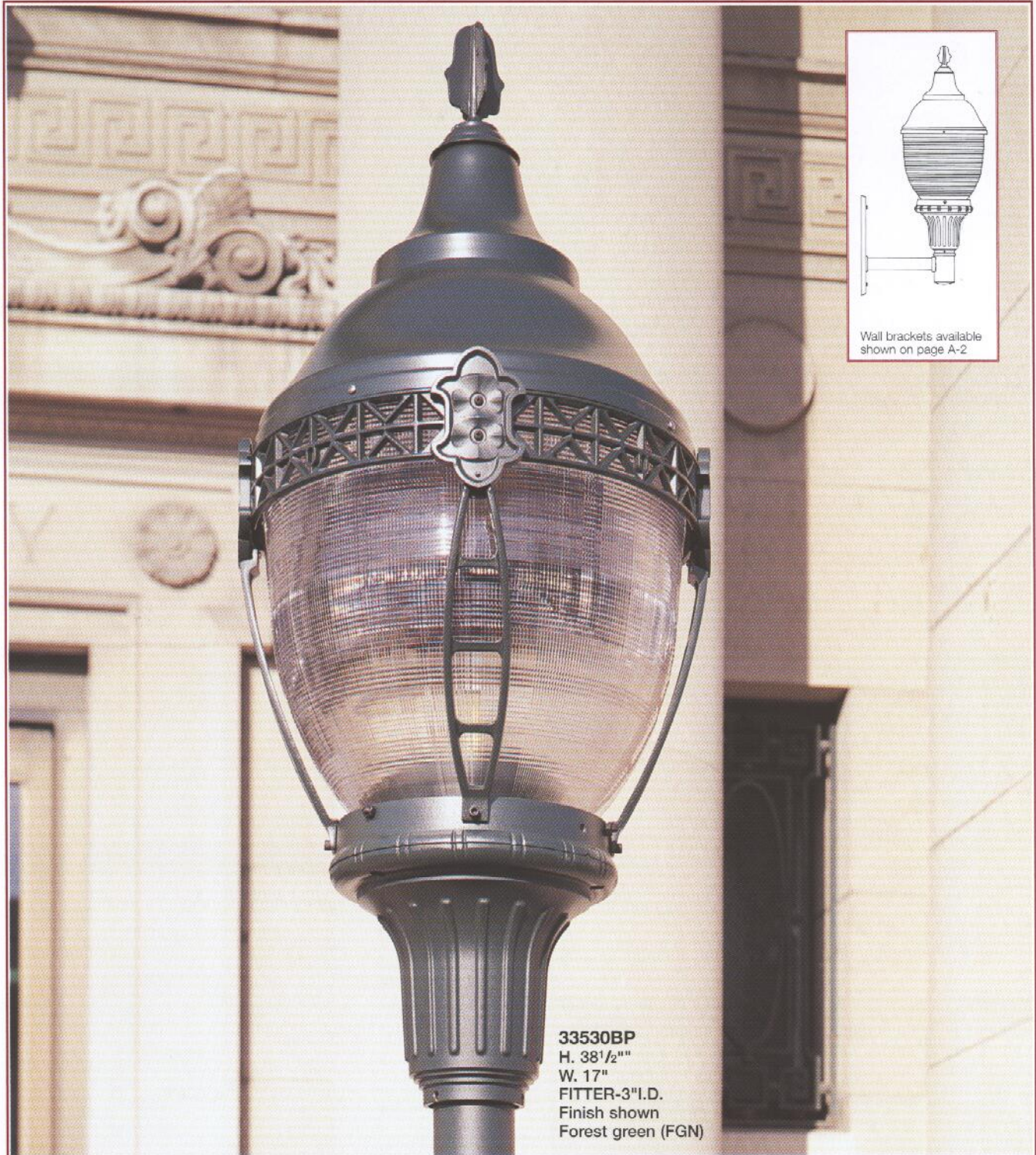
Hanover®
LANTERN
Handcrafted in the USA

SAWGRASS

33500BP - 33530BP

Sitescape®

SITE • ROADWAY • AREA LIGHTING



Wall brackets available shown on page A-2

33530BP
H. 38 1/2"
W. 17"
FITTER-3" I.D.
Finish shown
Forest green (FGN)



33500BP



33530BP

Models Available

SAWGRASS

33500BP - 33530BP

Sitescape®

SITE • ROADWAY • AREA LIGHTING

FIXTURE SELECTION



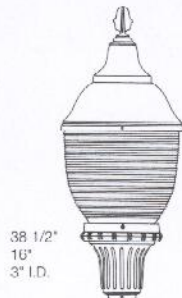
UV STABILIZED ACRYLIC OR POLYCARBONATE REFRACTORS TYPE III or V

2 1/2" MIN. TENON LENGTH FOR 33500 SERIES

HEIGHT:
WIDTH:
FITTER DIA.:

FIXTURE NO.

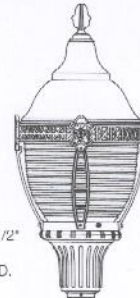
MAX. WATTS - INC.
M.V.
H.P.S.
M.H.
E.P.A.,



38 1/2"
16"
3" I.D.

33500BP

250w
250w
250w
250w
2.30



38 1/2"
17"
3" I.D.

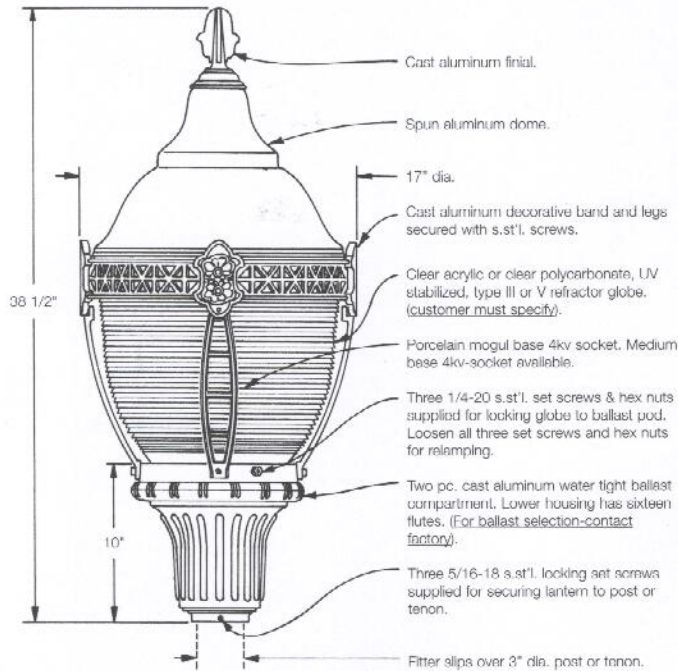
33530BP

250w
250w
250w
250w
2.35

SPECIFICATIONS

MODEL No. shown **33530BP**

E.P.A. - 2.35
Max. Wt. 31 lbs



FEATURES

SOURCES: (factory installed, prewired and tested).

- INC.** - (incandescent) 250 watt max.
- MV** - (mercury vapor) 50-75-100-175 250 watt.
- S** - (high pressure sodium) 35-50-70-100-150-250 watt.
- MH** - (metal halide) 70-100-175-250 watt.

FINISHES:

All Hanover Lantern finishes available, see page 3 for selection.

FIXTURES:

- 33500BP**
- 33530BP**

GLOBES: (customer must specify).

- CA-III** - Clear acrylic refractive globe, Type III (max. watts- INC, MV, MH-175w. HPS-150w.)
- CA-V** - Clear acrylic refractive globe, Type V (max. watts- INC, MV, MH-175w. HPS-150w.)
- CP-III** - Clear polycarbonate refractive globe, Type III (max. watts- INC, MV, MH, HPS 250w.)
- CP-V** - Clear polycarbonate refractive globe, Type V (max. watts- INC, MV, MH, HPS-250w.)

VOLTAGES:

120-208-240-277 - QUAD (contact factory for availability)

PHOTO CONTROL: (optional) factory installed.

- No. **10**-120 volt only.
- No. **11**-208 to 277 volt. (Must be installed in post only).

ORDERING GUIDE

To ensure prompt and efficient processing of your order, Please follow the sequence listed in the example below.

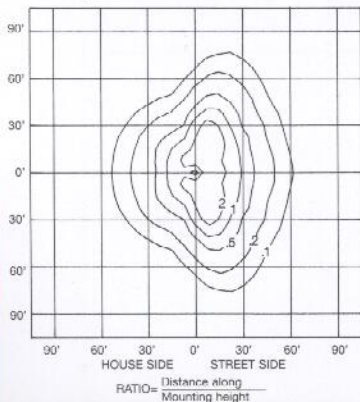
- ① **SOURCE:**
INC - incandescent
MV - mercury vapor
S - high pressure sodium
MH - metal halide
- ② **FIXTURE NO.:**
33500BP
33530BP
- ③ **GLOBES:**
CA-III - Clear acrylic refractive globe, type III.
CA-V - Clear acrylic refractive globe, type V.
CP-III - Clear polycarbonate refractive globe, type III.
CP-V - Clear polycarbonate refractive globe, type V.
- ④ **FINISH:**
See page 3 for selection.
- ⑤ **WATTAGE:**
MV-50-75-100-175-250
S-35-50-70-100-150-175-250
MH-50-70-100-175-250
- ⑥ **VOLTAGE:**
120v.-208v.-240v.-277v.
- ⑦ **PHOTO CONTROL:** (optional)
No. **10**-120 volt only.
No. **11**-208/277 volt.

PHOTOMETRIC DATA

Asymmetric Distribution

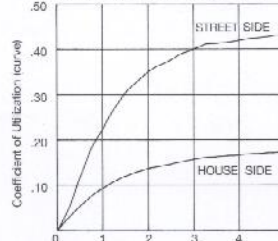
Fixture: 33530BP
Lamp: 150w H.P.S.
Lamp Lumens: 16,000

Optics: Type III Refractor globe
Mounting Height: 12'
Globe: Polycarbonate refractive



Coefficient of Utilization

(curves show total lumen utilization (in %))



Mounting height multiplier for isolux.

| Mtg. Ht. (ft.) | 10' | 11' | 12' | 13' | 14' |
|-------------------|-----|-----|-----|-----|-----|
| Correction factor | 1.4 | 1.2 | 1.0 | .86 | .73 |

- ① **S**
- ② **33530BP**
- ③ **CP-V FGN**
- ④ **100**
- ⑤ **120**
- ⑥ **10**
- ⑦

For post selection, see tabbed section P.
Accessories selection, see tabbed section A.

350 Kindig Lane, Hanover, PA 17331

Phone: (717) 632-6464
Fax: (717) 632-5039
Email: sales@hanoverlantern.com
Web: www.hanoverlantern.com

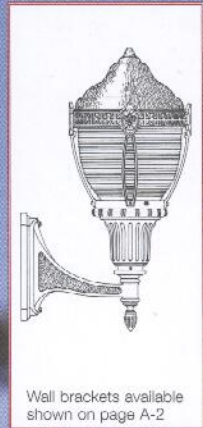
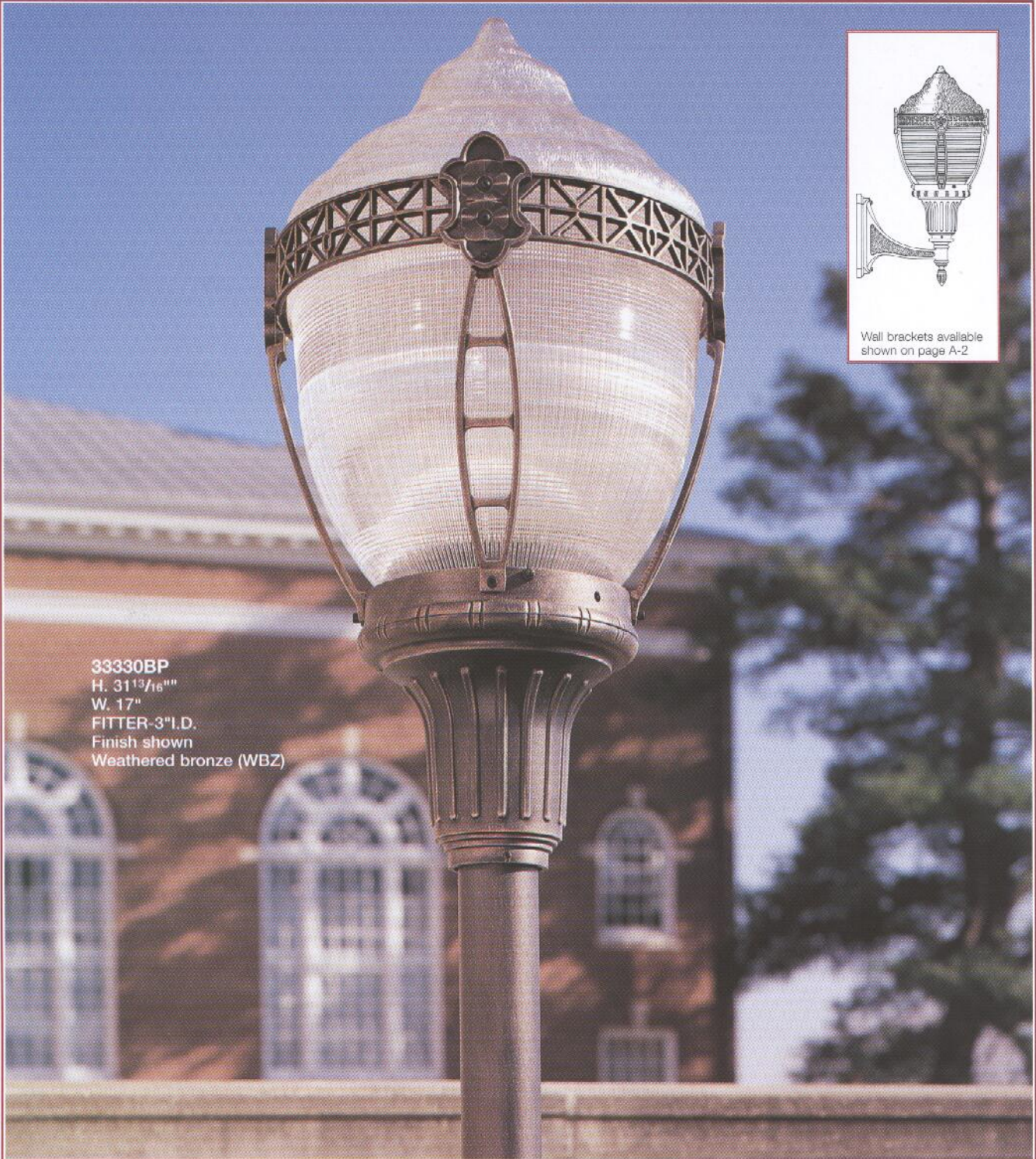
Hanover®
LANTERN
Handcrafted in the USA

NEWPORT

33300BP - 33330BP

Sitescape®

SITE • ROADWAY • AREA LIGHTING

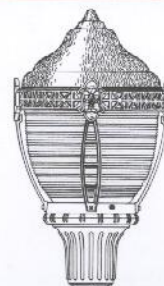


Wall brackets available shown on page A-2

33330BP
H. 31¹³/₁₆"
W. 17"
FITTER-3" I.D.
Finish shown
Weathered bronze (WBZ)



33300BP



33330BP

Models Available

FIXTURE SELECTION



TOP VIEW

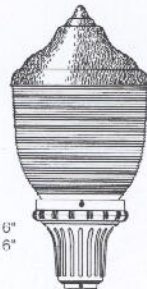
UV STABILIZED ACRYLIC OR POLYCARBONATE REFRACTORS TYPE III or V

2 1/2" MIN. TENON LENGTH FOR 33300 SERIES

HEIGHT:
WIDTH:
FITTER DIA.:

FIXTURE NO.

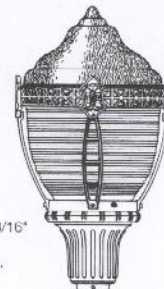
MAX. WATTS - INC.
M.V.
H.P.S.
M.H.
E.P.A.



33300BP

31 13/16"
15 13/16"
3" I.D.

250w
250w
250w
250w
2.10



33330BP

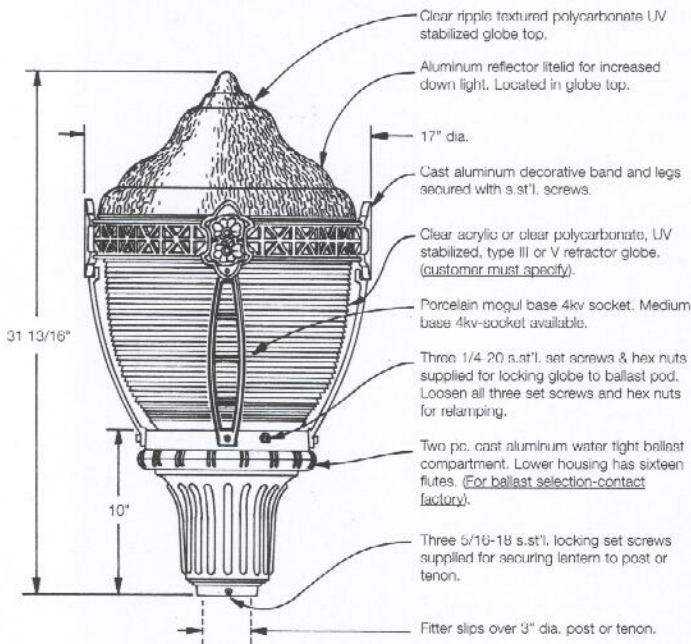
31 13/16"
17"
3" I.D.

250w
250w
250w
250w
2.10

SPECIFICATIONS

MODEL No. shown 33330BP

E.P.A. - 2.10
Max. Wt. 31 lbs

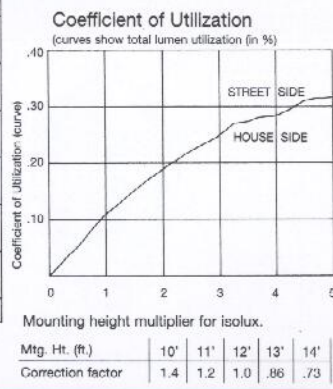
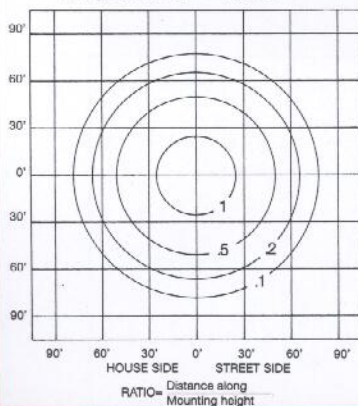


PHOTOMETRIC DATA

Symmetric Distribution

Fixture: 33330BP
Lamp: 150w H.P.S.
Lamp Lumens: 16,000

Optics: Type V
Mounting Height: 12'
Globe: Polycarbonate refractive



FEATURES

SOURCES: (factory installed, prewired and tested).

- INC.-(incandescent) 250 watt max.
- MV-(mercury vapor) 50-75-100-175 250 watt.
- S (high pressure sodium) 35-50-70-100-150-250 watt.
- MH-(metal halide) 70-100-175-250 watt.

FINISHES:

All Hanover Lantern finishes available, see page 3 for selection.

FIXTURES:

- 33300BP
- 33330BP

GLOBES: (customer must specify).

- CA-III - Clear acrylic refractive globe, Type III (max. watts- INC, MV, MH-175w. HPS-150w.)
- CA-V - Clear acrylic refractive globe, Type V (max. watts- INC, MV, MH-175w. HPS-150w.)
- CP-III - Clear polycarbonate refractive globe, Type III (max. watts- INC, MV, MH, HPS-250w.)
- CP-V - Clear polycarbonate refractive globe, Type V (max. watts- INC, MV, MH, HPS-250w.)

VOLTAGES:

120-208-240-277- QUAD (contact factory for availability)

PHOTO CONTROL: (optional) factory installed.

- No. 10-120 volt only.
- No. 11-208 to 277 volt. (Must be installed in post only.)

ORDERING GUIDE

To ensure prompt and efficient processing of your order, Please follow the sequence listed in the example below.

- ① **SOURCE:**
INC.-Incandescent
MV-mercury vapor
S-high pressure sodium
MH-metal halide
- ② **FIXTURE NO.:**
33300BP
33330BP
- ③ **GLOBES:**
CA-III - Clear acrylic refractive globe, type III.
CA-V - Clear acrylic refractive globe, type V.
CP-III - Clear polycarbonate refractive globe, type III.
CP-V - Clear polycarbonate refractive globe, type V.
- ④ **FINISH:**
See page 3 for selection.
- ⑤ **WATTAGE:**
MV-50-75-100-175-250
S-35-50-70-100-150-175-250
MH-50-70-100-175-250
- ⑥ **VOLTAGE:**
120v.-208v.-240v.-277v.
- ⑦ **PHOTO CONTROL:** (optional)
No. 10-120 volt only.
No. 11-208/277 volt.

① S ② 33300BP ③ CA-III WBZ ④ ⑤ 100 ⑥ 120 ⑦ 10

For post selection, see tabbed section P.
Accessories selection, see tabbed section A.

350 Kindig Lane, Hanover, PA 17331

Phone: (717) 632-6464

Fax: (717) 632-5039

Email: sales@hanoverlantern.com

Web: www.hanoverlantern.com

Hanover®

LANTERN

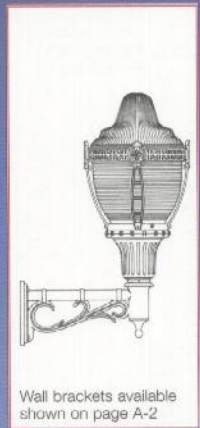
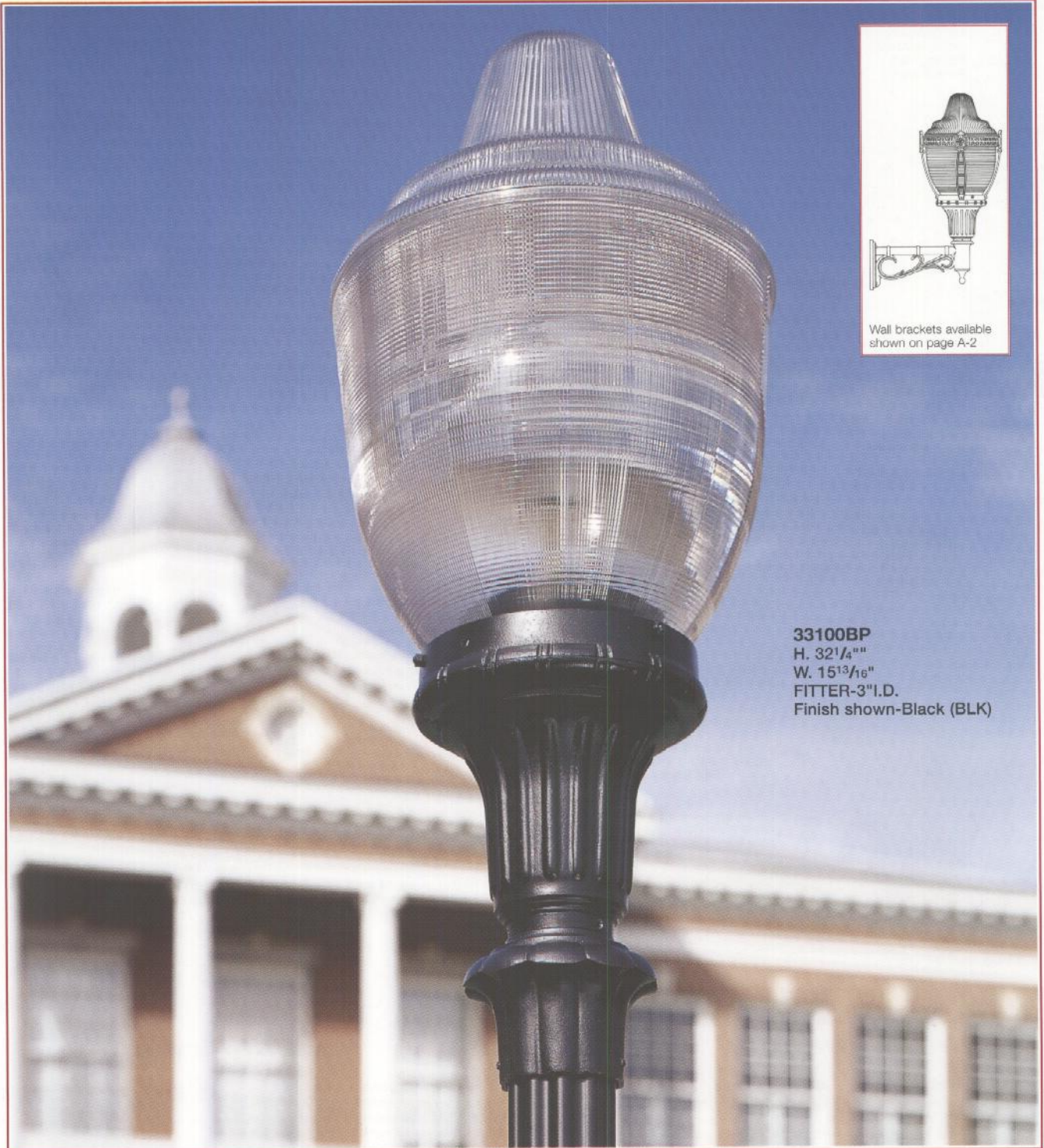
Handcrafted in the USA

MANCHESTER

33100BP - 33130BP

Sitescape®

SITE • ROADWAY • AREA LIGHTING



33100BP
H. 32¹/₄"
W. 15¹³/₁₆"
FITTER-3" I.D.
Finish shown-Black (BLK)



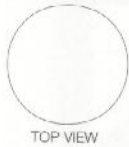
33100BP



33130BP

Models Available

FIXTURE SELECTION



TOP VIEW

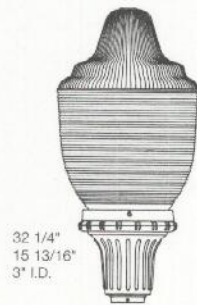
UV STABILIZED ACRYLIC OR POLYCARBONATE REFRACTORS TYPE III or V

2 1/2" MIN. TENON LENGTH FOR 33100 SERIES

HEIGHT:
WIDTH:
FITTER DIA.:

FIXTURE NO.

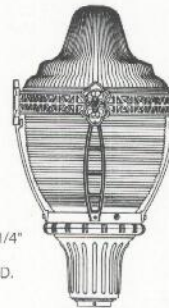
MAX. WATTS - INC.
M.V.
H.P.S.
M.H.
E.P.A.



32 1/4"
15 13/16"
3" I.D.

33100BP

250w
250w
250w
250w
2.15



32 1/4"
17"
3" I.D.

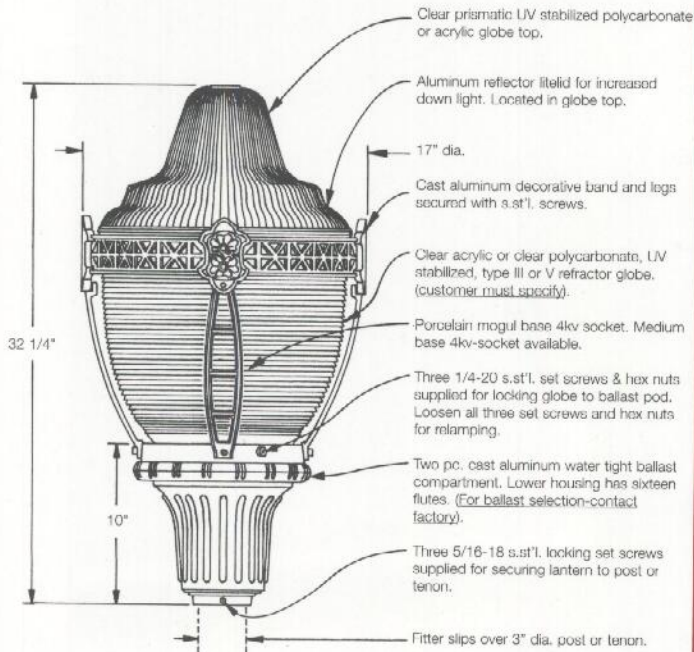
33130BP

250w
250w
250w
250w
2.15

SPECIFICATIONS

MODEL No. shown **33130BP**

E.P.A. - 2.15
Max. Wt. 32 lbs

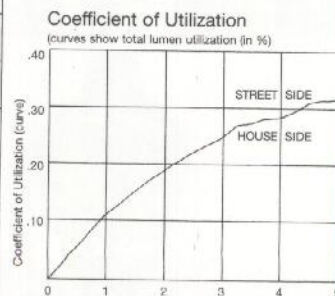


PHOTOMETRIC DATA

Symmetric Distribution

Fixture: 33130BP
Lamp: 150w H.P.S.
Lamp Lumens: 16,000

Optics: Type V
Mounting Height: 12'
Globe: Polycarbonate refractive



FEATURES

SOURCES: (factory installed, prewired and tested).

INC.-(incandescent) 250 watt max.

MV (mercury vapor) 50-75-100-175 250 watt.

S-(high pressure sodium) 35-50-70-100-150-250 watt.

MH-(metal halide) 70-100-175-250 watt.

FINISHES:

All Hanover Lantern finishes available, see page 3 for selection.

FIXTURES:

33100BP

33130BP

GLOBES: (customer must specify).

CA-III - Clear acrylic refractive globe, Type III (max. watts- INC, MV, MH-175w. HPS-150w.)

CA-V - Clear acrylic refractive globe, Type V (max. watts- INC, MV, MH-175w. HPS-150w.)

CP-III - Clear polycarbonate refractive globe, Type III (max. watts- INC, MV, MH, HPS-250w.)

CP-V - Clear polycarbonate refractive globe, Type V (max. watts- INC, MV, MH, HPS-250w.)

VOLTAGES:

120-208-240-277- QUAD (contact factory for availability)

PHOTO CONTROL: (optional) factory installed.

No. 10-120 volt only.

No. 11-208 to 277 volt. (Must be installed in post only.)

ORDERING GUIDE

To ensure prompt and efficient processing of your order, Please follow the sequence listed in the example below.

- ① **SOURCE:**
INC.-incandescent
MV-mercury vapor
S-high pressure sodium
MH-metal halide
- ② **MODEL NO.:**
33100BP
33130BP
- ③ **GLOBES:**
CA-III - Clear acrylic refractive globe, Type III.
CA-V - Clear acrylic refractive globe, Type V.
CP-III - Clear polycarbonate refractive globe, Type III.
CP-V - Clear polycarbonate refractive globe, Type V.
- ④ **FINISH:**
See page 3 for selection.
- ⑤ **WATTAGE:**
MV-50-75-100-175-250
S-35-50-70-100-150-175-250
MH-50-70-100-175-250
- ⑥ **VOLTAGE:**
120v.-208v.-240v.-277v.
- ⑦ **PHOTO CONTROL:** (optional)
No. 10-120 volt only.
No. 11-208/277 volt.

① S ② 33130BP ③ CP-V ④ BLK ⑤ 100 ⑥ 120 ⑦ 10

For post selection, see tabbed section P.
Accessories selection, see tabbed section A.

350 Kindig Lane, Hanover, PA 17331

Phone: (717) 632-6464

Fax: (717) 632-5039

Email: sales@hanoverlantern.com

Web: www.hanoverlantern.com

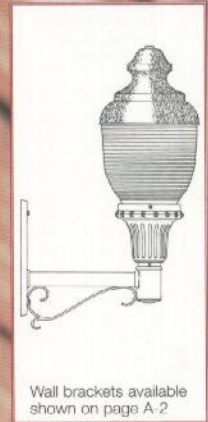
Hanover®
LANTERN
Handcrafted in the USA

KINKADE

33400BP - 33430BP

Sitescape®

SITE • ROADWAY • AREA LIGHTING

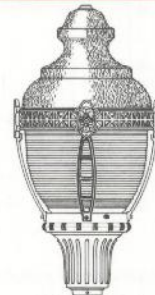


Wall brackets available shown on page A 2

33400BP
H. 35⁹/₁₆"
W. 15¹³/₁₆"
FITTER-3" I.D.
Finish shown-Black (BLK)



33400BP



33430BP

Models Available

FIXTURE SELECTION



UV STABILIZED ACRYLIC OR POLYCARBONATE REFRACTORS TYPE III or V

2 1/2" MIN. TENON LENGTH FOR 33400 SERIES

HEIGHT:
WIDTH:
FITTER DIA.:

FIXTURE NO.

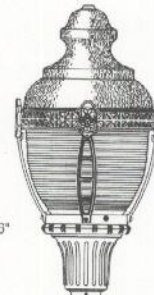
MAX. WATTS - INC.
M.V.
H.P.S.
M.H.
E.P.A.



33400BP

35 9/16"
15 13/16"
3" I.D.

250w
250w
250w
250w
2.38



33430BP

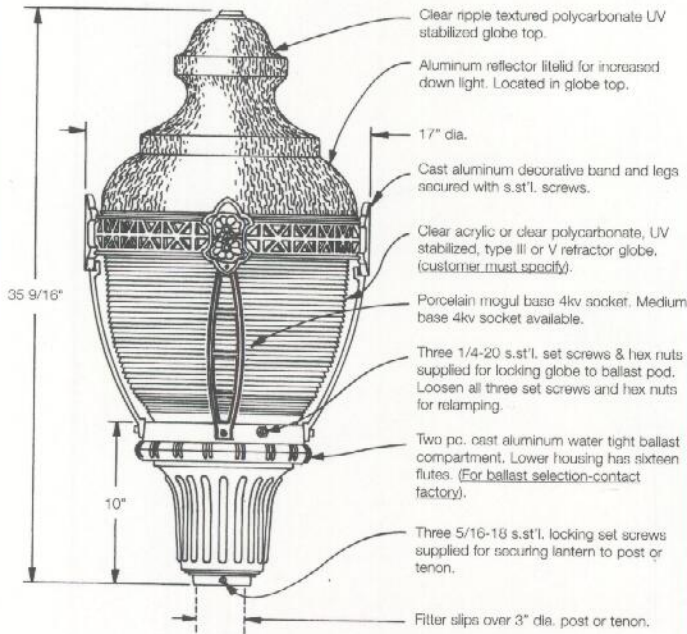
35 9/16"
17"
3" I.D.

250w
250w
260w
250w
2.38

SPECIFICATIONS

MODEL No. shown 33430BP

E.P.A. - 2.38
Max. Wt. 30.5 lbs



FEATURES

SOURCES: (factory installed, prewired and tested).

- INC. - (incandescent) 250 watt max.
- MV - (mercury vapor) 50-75-100-175 250 watt.
- S - (high pressure sodium) 35-50-70-100-150-250 watt.
- MH - (metal halide) 70-100-175-250 watt.

FINISHES:

All Hanover Lantern finishes available, see page 3 for selection.

FIXTURES:

- 33400BP
- 33430BP

GLOBES: (customer must specify).

- CA-III - Clear acrylic refractive globe, Type III (max. watts- INC, MV, MH-175w. HPS-150w.)
- CA-V - Clear acrylic refractive globe, Type V (max. watts- INC, MV, MH-175w. HPS-150w.)
- CP-III - Clear polycarbonate refractive globe, Type III (max. watts- INC, MV, MH, HPS-250w.)
- CP-V - Clear polycarbonate refractive globe, Type V (max. watts- INC, MV, MH, HPS-250w.)

VOLTAGES:

120-208-240-277- QUAD (contact factory for availability)

PHOTO CONTROL: (optional) factory installed.

- No. 10-120 volt only.
- No. 11-208 to 277 volt. (Must be installed in post only.)

ORDERING GUIDE

To ensure prompt and efficient processing of your order, Please follow the sequence listed in the example below.

- ① **SOURCE:**
INC.-incandescent
MV-mercury vapor
S-high pressure sodium
MH-metal halide
- ② **FIXTURE NO.:**
33400BP
33430BP
- ③ **GLOBES:**
CA-III - Clear acrylic refractive globe, type III.
CA-V - Clear acrylic refractive globe, type V.
CP-III - Clear polycarbonate refractive globe, type III.
CP-V - Clear polycarbonate refractive globe, type V.
- ④ **FINISH:**
See page 3 for selection.
- ⑤ **WATTAGE:**
MV-50-75-100-175-250
S-35-50-70-100-150-175-250
MH-50-70-100-175-250
- ⑥ **VOLTAGE:**
120v-208v-240v-277v.
- ⑦ **PHOTO CONTROL:** (optional)
No. 10-120 volt only.
No. 11-208/277 volt.

① S ② 33430BP ③ CP-V ④ BLK ⑤ 100 ⑥ 120 ⑦ 10

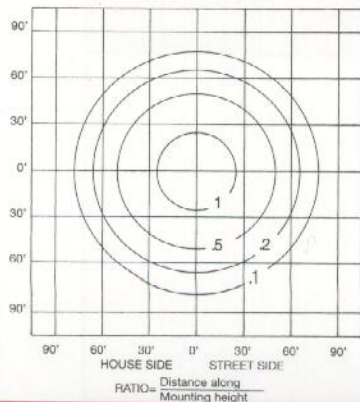
For post selection, see tabbed section P.
Accessories selection, see tabbed section A.

PHOTOMETRIC DATA

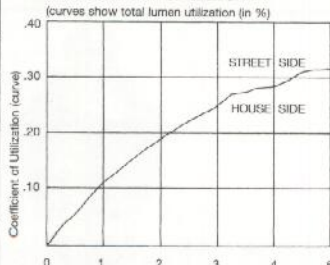
Symmetric Distribution

Fixture: 33430BP
Lamp: 150w H.P.S.
Lamp Lumens: 16,000

Optics: Type V
Mounting Height: 12'
Globe: Polycarbonate refractive



Coefficient of Utilization



Mounting height multiplier for isolux.

| Mtg. Ht. (ft.) | 10' | 11' | 12' | 13' | 14' |
|-------------------|-----|-----|-----|-----|-----|
| Correction factor | 1.4 | 1.2 | 1.0 | .88 | .73 |

350 Kindig Lane, Hanover, PA 17331

Phone: (717) 632-6464

Fax: (717) 632-5039

Email: sales@hanoverlantern.com

Web: www.hanoverlantern.com

Hanover®

LANTERN

Handcrafted in the USA

SALT LAKE

48000UP - 48030UP - 48100UP - 48130UP - 48200UP
 48230UP - 48300UP - 48330UP - 48400UP - 48430UP

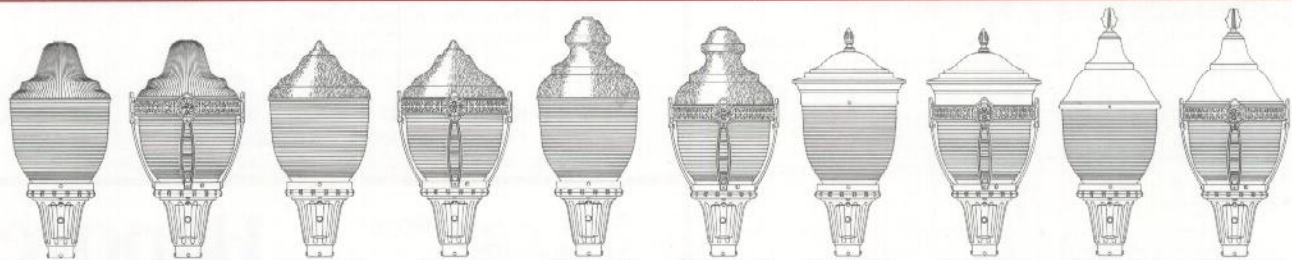
Sitescape®

SITE • ROADWAY • AREA LIGHTING



Inset photo shows - easy access to "twist-out" ballast assembly with quick disconnect wiring and "twist-lock" photo control installed to a hinged access door for ease of maintenance.

48430UP
 H. 39³/₄"
 W. 17"
 FITTER - 3" I.D.
 Finish shown -
 Black (BLK)



48000UP

48030UP

48100UP

48130UP

48200UP

48230UP

48300UP

48330UP

48400UP

48430UP

Models Available

SALT LAKE

48000UP - 48030UP - 48100UP - 48130UP - 48200UP
48230UP - 48300UP - 48330UP - 48400UP - 48430UP

Sitescape®

SITE • ROADWAY • AREA LIGHTING

FIXTURE SELECTION

TYPE III or V REFRACTOR BODIES - UV STABILIZED
ACRYLIC or POLYCARBONATE (customer must specify)

TOP VIEW

2 1/2" MIN. TENON LENGTH

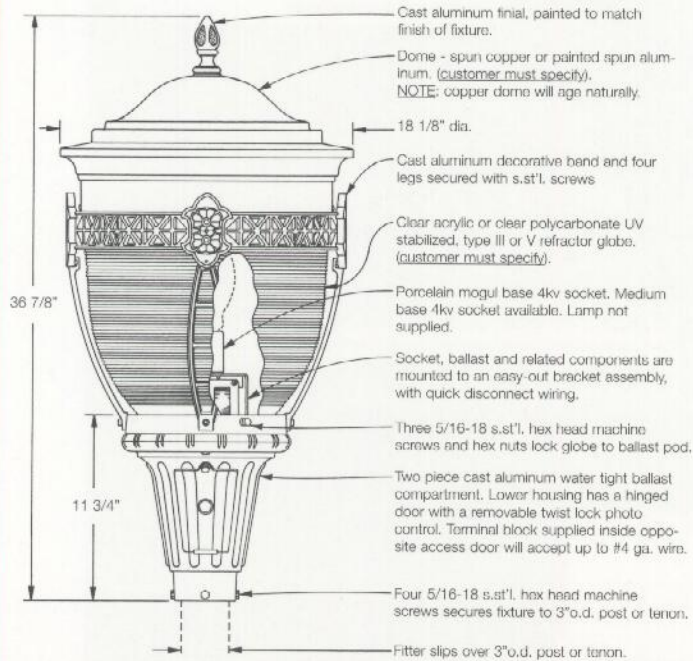
HEIGHT: 33 7/8" 33 7/8" 33 3/8" 33 3/8" 37 1/8" 37 1/8" 36 7/8" 33 7/8" 39 3/4" 39 3/4"
WIDTH: 15 7/8" 17" 15 7/8" 17" 15 7/8" 17" 18 1/8" 18 1/8" 16" 17"
FITTER DIA.: 3" I.D. 3" I.D. 3" I.D. 3" I.D. 3" I.D. 3" I.D. 3" I.D. 3" I.D. 3" I.D. 3" I.D.

| FIXTURE NO. | 48000UP | 48030UP | 48100UP | 48130UP | 48200UP | 48230UP | 48300UP | 48330UP | 48400UP | 48430UP |
|-------------|---------|---------|---------|---------|---------|---------|---------|---------|---------|---------|
| INC. | 250w | 250w | 250w | 250w | 250w | 250w | 250w | 250w | 250w | 250w |
| M.V. | 250w | 250w | 250w | 250w | 250w | 250w | 250w | 250w | 250w | 250w |
| H.P.S. | 250w | 250w | 250w | 250w | 250w | 250w | 250w | 250w | 250w | 250w |
| M.H. | 250w | 250w | 250w | 250w | 250w | 250w | 250w | 250w | 250w | 250w |
| E.P.A. | 2.15 | 2.15 | 2.10 | 2.10 | 2.38 | 2.38 | 2.15 | 2.15 | 2.30 | 2.30 |

SPECIFICATIONS

MODEL No. shown 48330UP

E.P.A. - 2.15
Max. Wt. 34 lbs

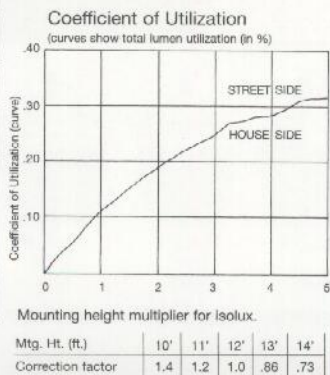
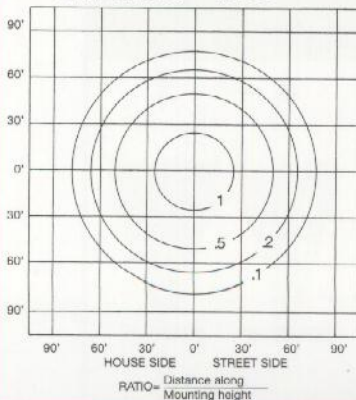


PHOTOMETRIC DATA

Symmetric Distribution

Fixture: 48330UP
Lamp: 150w H.P.S.
Lamp Lumens: 16,000

Optics: Type V
Mounting Height: 12'
Globe: Polycarbonate refractive



FEATURES

SOURCES: (factory installed, prewired and tested).

INC.-(incandescent) 250 watt max.

MV (mercury vapor) 50-75-100-175-250 watt.

S-(high pressure sodium) 35-50-70-100-150-250 watt.

MH-(metal halide) 70-100-175-250 watt.

FIXTURES:

| | | |
|---------|---------|---------|
| 48000UP | 48200UP | 48400UP |
| 48030UP | 48230UP | 48430UP |
| 48100UP | 48300UP | |
| 48130UP | 48330UP | |

DOMES:

CD - Spun copper dome. (copper will age to a natural patina). For models 48300UP and 48330UP.
AD - Spun aluminum dome, painted to match fixture finish.

GLOBES: (customer must specify).

CA-III - Clear acrylic refractive globe, Type III (max. watts-INC, MV, MH-175w, HPS-150w.)

CA-V - Clear acrylic refractive globe, Type V (max. watts-INC, MV, MH-175w, HPS-150w.)

CP-III - Clear polycarbonate refractive globe, Type III (max. watts-INC, MV, MH, HPS-250w.)

CP-V - Clear polycarbonate refractive globe, Type V (max. watts-INC, MV, MH, HPS-250w.)

FINISHES:

All Hanover Lantern finishes available, see page 3 for selection.

VOLTAGES:

120-208-240-277-QUAD (contact factory for availability)

PHOTO CONTROL:

No. 10TL-120 volt only.

No. 11TL-208 to 277 volt.

ORDERING GUIDE

To ensure prompt and efficient processing of your order, Please follow the sequence listed in the example below.

- SOURCE:**
INC.-incandescent
MV-mercury vapor
S-high pressure sodium
MH-metal halide
- FIXTURE NO.:**
48000UP 48200UP 48400UP
48030UP 48230UP 48430UP
48100UP 48300UP
48130UP 48330UP
- DOMES:**
CD - Spun copper dome. For models 48300UP and 48330UP.
AD - Spun aluminum dome (painted).
- GLOBES:**
CA-III - Clear acrylic refractive globe, type III.
CA-V - Clear acrylic refractive globe, type V.
CP-III - Clear polycarbonate refractive globe, type III.
CP-V - Clear polycarbonate refractive globe, type V.
- FINISH:**
See page 3 for selection.
- WATTAGE:**
MV-50-75-100-175-250
S-35-50-70-100-150-175-250
MH-50-70-100-175-250
- VOLTAGE:**
120v.-208v.-240v.-277v.
- PHOTO CONTROL:**
10TL-120 volt only.
11TL-208/277 volt.

① S ② 48330UP ③ CD ④ CP-V ⑤ VCP ⑥ 100 ⑦ 120 ⑧ 10TL

For post selection, see tabbed section P.
Accessories selection, see tabbed section A.

350 Kindig Lane, Hanover, PA 17331

Phone: (717) 632-6464

Fax: (717) 632-5039

Email: sales@hanoverlantern.com

Web: www.hanoverlantern.com

Hanover®

LANTERN

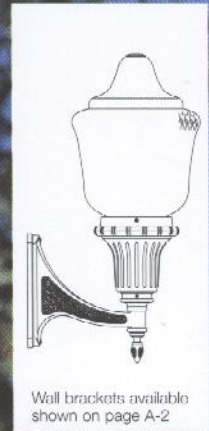
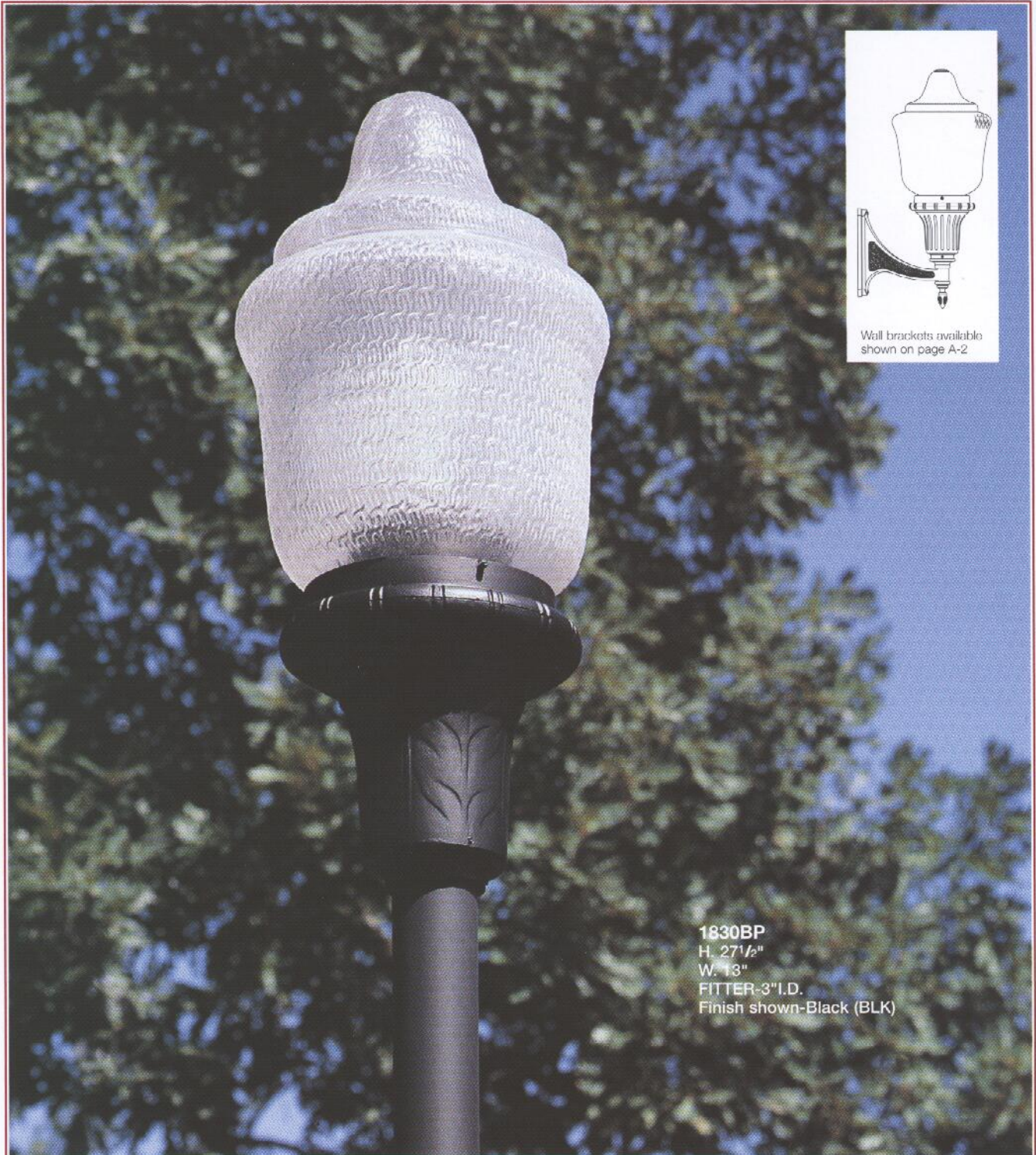
Handcrafted in the USA

WIRT PARK

1830BP - 1832BP - 1840BP - 1842BP
1870BP - 1872BP - 1880BP - 1882BP

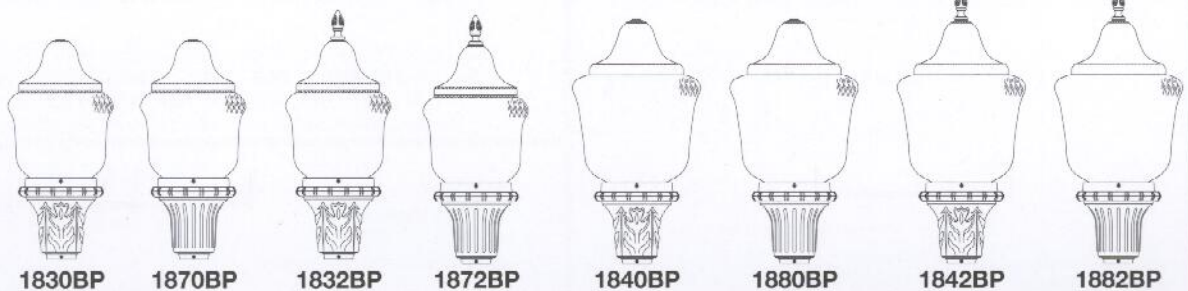
Sitescape®

SITE • ROADWAY • AREA LIGHTING



1830BP
H. 27 1/2"
W. 13"
FITTER-3" I.D.
Finish shown-Black (BLK)

Models Available



WIRT PARK

1830BP - 1832BP - 1840BP - 1842BP
1870BP - 1872BP - 1880BP - 1882BP

Sitescape®

SITE • ROADWAY • AREA LIGHTING

FIXTURE SELECTION

TOP VIEW
2 1/2" MIN. TENON LENGTH FOR 1800 SERIES

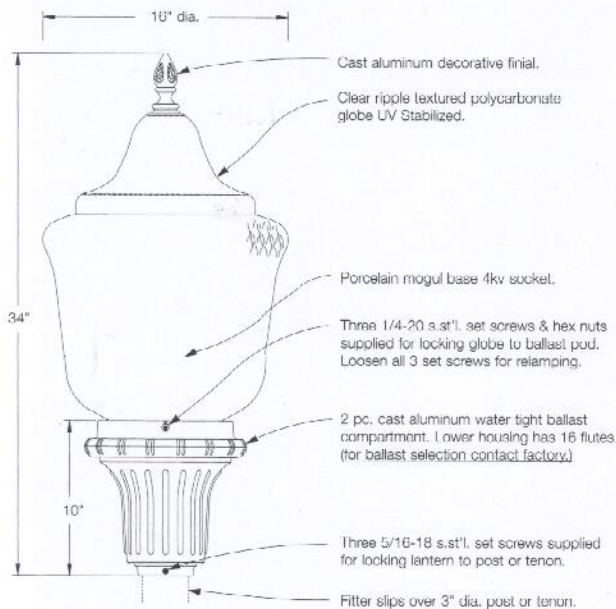
HEIGHT:
WIDTH:
FITTER DIA.:

| FIXTURE NO. | INC. | 1830BP | 1870BP | 1832BP | 1872BP | 1840BP | 1880BP | 1842BP | 1882BP |
|--------------|--------|--------|--------|--------|--------|--------|--------|--------|--------|
| MAX. WATTS - | | 100w | 100w | 100w | 100w | 200w | 200w | 200w | 200w |
| | M.V. | 100w | 100w | 100w | 100w | 175w | 175w | 175w | 175w |
| | H.P.S. | 100w | 100w | 100w | 100w | 150w | 150w | 150w | 150w |
| | M.H. | 100w | 100w | 100w | 100w | 175w | 175w | 175w | 175w |
| | E.P.A. | 1.65 | 1.65 | 1.67 | 1.67 | 2.10 | 2.10 | 2.10 | 2.12 |

SPECIFICATIONS

MODEL No. shown 1882BP

E.P.A. - 2.12
Max. Wt. 27 lbs



FEATURES

SOURCES: (factory installed, prewired and tested)

INC.-(incandescent) 200 watt max.

MV-(mercury vapor) 50-75-100-175 watt.

S (high pressure sodium) 35-50-70-100-150 watt.

MH-(metal halide) 50-70-100-175 watt.

FINISHES:

All Hanover Lantern finishes available, see page 3 for selection.

GLOBES:

Clear textured polycarbonate, UV stabilized.

VOLTAGES:

120-208-240-277-Quad (contact factory for availability)

REFRACTORS:

No. 81-6" borosilicate glass, type V distribution.

No. 82-6" borosilicate glass, type III distribution.

PHOTO CONTROL: (optional) factory installed.

No. 10-120 volt only.

No. 11-208 to 277 volt. (Must be installed in post only).

ORDERING GUIDE

To ensure prompt and efficient processing of your order, Please follow the sequence listed in the example below.

- SOURCE:**
INC.-incandescent
MV-mercury vapor
S-high pressure sodium
MH-metal halide
- MODEL NO.:**
1830BP 1840BP
1870BP 1880BP
1832BP 1842BP
1872BP 1882BP
- FINISH:**
See page 3 for selection.
- WATTAGE:**
MV-50-75-100-175
S-35-50-70-100-150
MH-50-70-100-175
- VOLTAGE:**
120v.-208v.-240v.-277v.
- REFRACTORS:**
No. 81-6" glass type V
No. 82-6" glass type III
- PHOTO CONTROL:** (optional)
No. 10-120 volt only.
No. 11-208/277 volt.

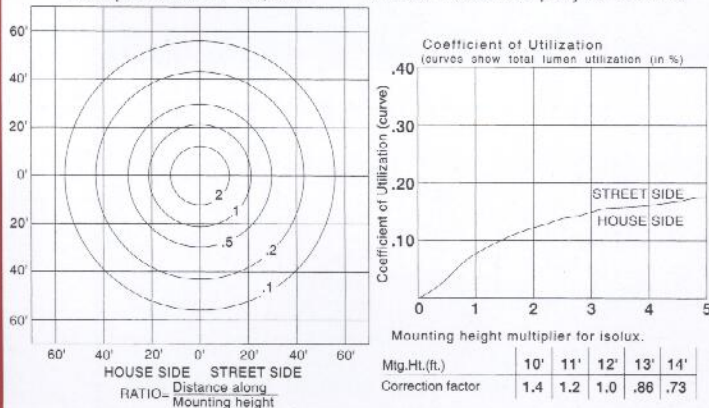
① S ② 1830BP ③ BLK ④ 100 ⑤ 120 ⑥ 81 ⑦ 10

For post selection, see tabbed section P.
Accessories selection, see tabbed section A.

PHOTOMETRIC DATA

Symmetric Distribution

Fixture: 1880BP Optics: Type V
Lamp: 150w H.P.S. Mounting Height: 12'
Lamp Lumens: 16,000 Globe: Textured polycarbonate



350 Kindig Lane, Hanover, PA 17331

Phone: (717) 632-6464

Fax: (717) 632-5039

Email: sales@hanoverlantern.com

Web: www.hanoverlantern.com

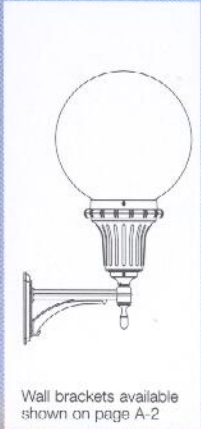
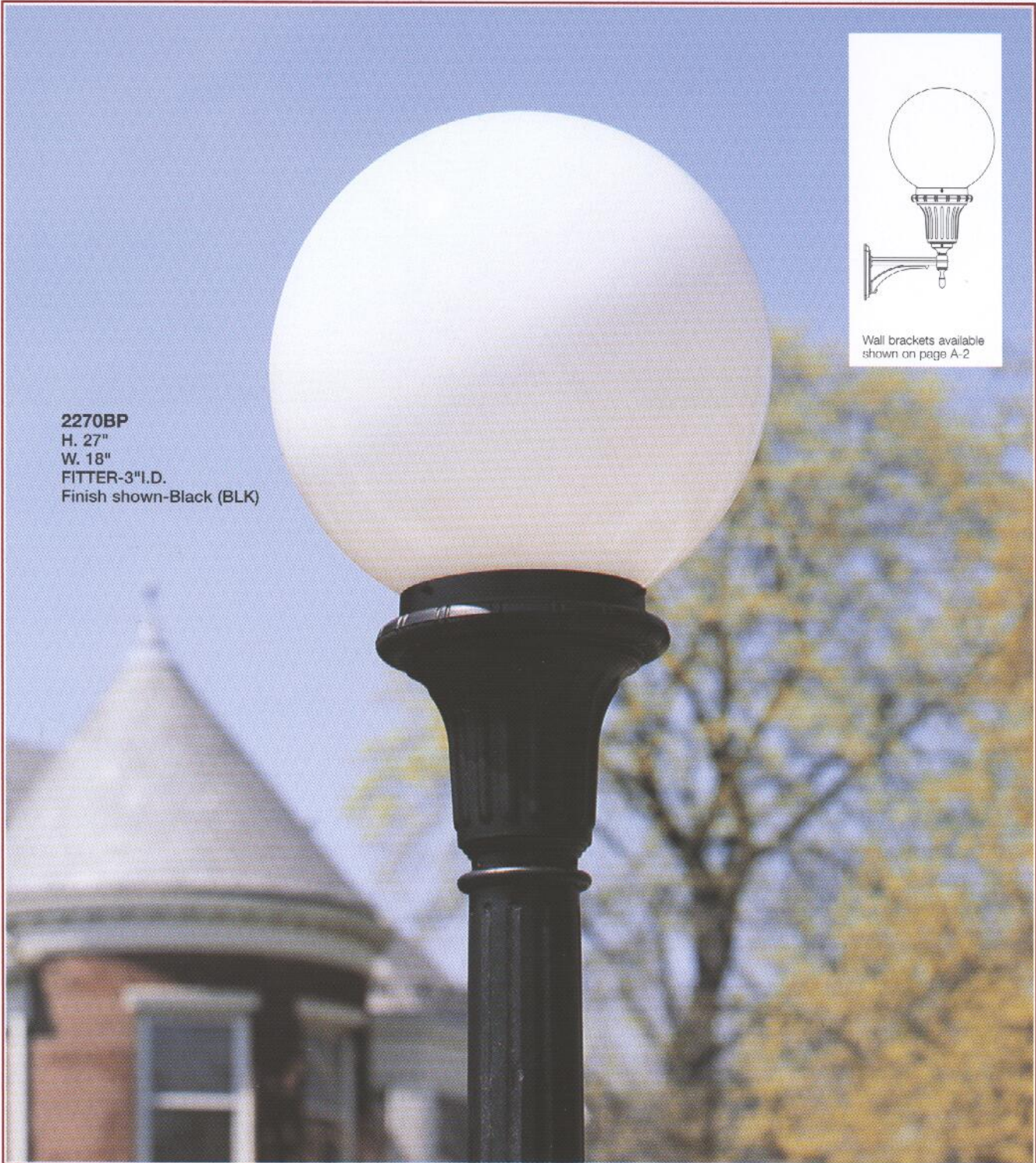
Hanover®

LANTERN

Handcrafted in the USA

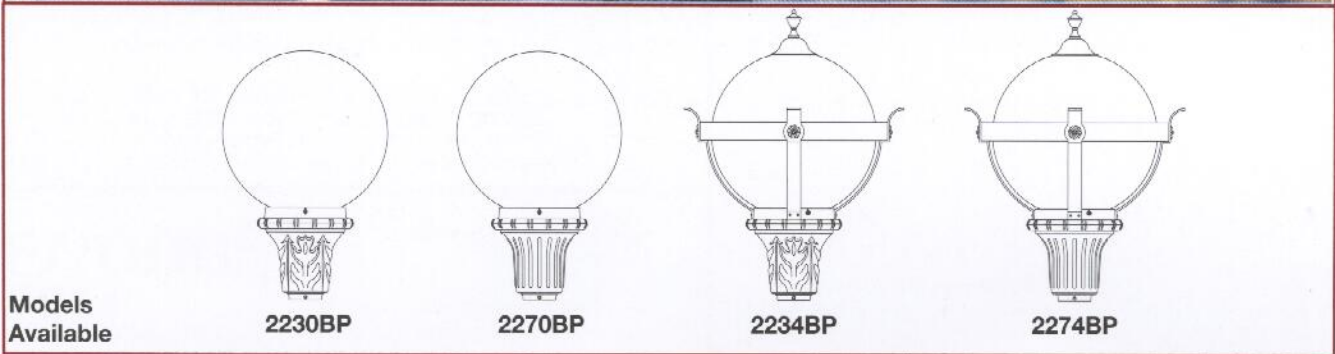
PHOENIX V 2270BP - 2274BP
CONGRESSIONAL 2230BP - 2234BP

Sitescape[®]
SITE • ROADWAY • AREA LIGHTING



Wall brackets available
shown on page A-2

2270BP
H. 27"
W. 18"
FITTER-3" I.D.
Finish shown-Black (BLK)



Models Available

2230BP

2270BP

2234BP

2274BP

PHOENIX V 2270BP - 2274BP CONGRESSIONAL 2230BP - 2234BP

Sitescape®

SITE • ROADWAY • AREA LIGHTING

FIXTURE SELECTION

2 1/2" MIN. TENON LENGTH FOR 2200 SERIES

HEIGHT:
WIDTH:
FITTER DIA.:

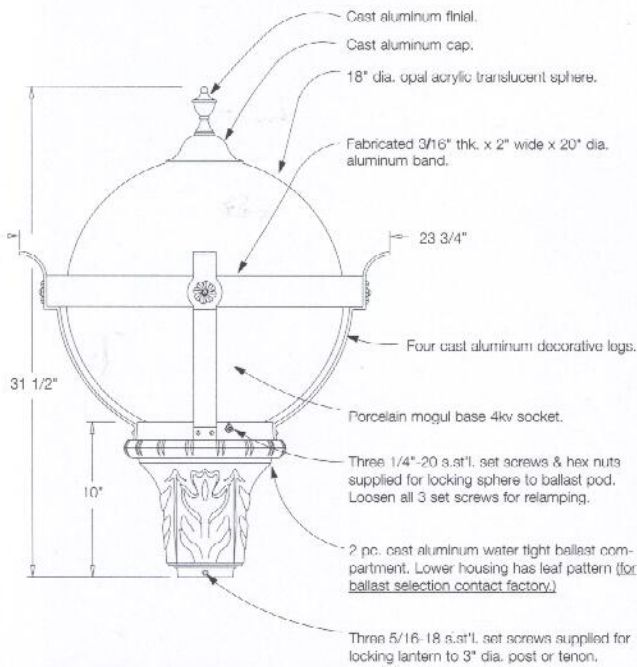
| FIXTURE NO. | INC. | M.V. | H.P.S. | M.H. | E.P.A. |
|---------------|------|------|--------|------|--------|
| 2230BP | 200w | 175w | 150w | 175w | 2.23 |
| 2270BP | 200w | 175w | 150w | 175w | 2.23 |
| 2234BP | 200w | 175w | 150w | 175w | 2.30 |
| 2274BP | 200w | 175w | 150w | 175w | 2.30 |

GLASS REFRACTORS AVAILABLE 0" TYPE III OR V

SPECIFICATIONS

MODEL No. shown **2234BP**

E.P.A. - 2.30
Max. Wt. 24 lbs

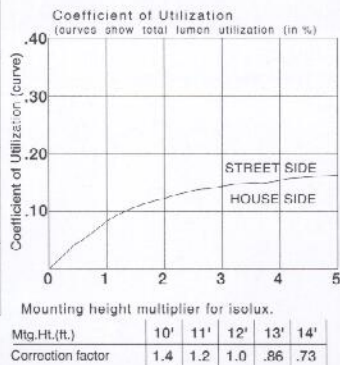
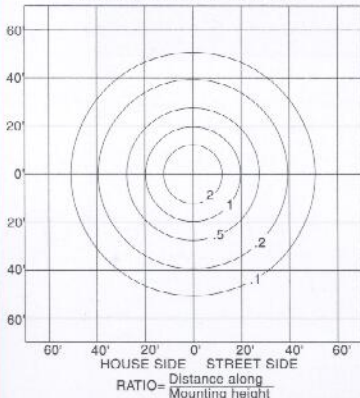


PHOTOMETRIC DATA

Symmetric Distribution

Fixture: 2270BP
Lamp: 150w H.P.S.
Lamp Lumens: 16,000

Optics: Type V
Mounting Height: 12'
Globe: Opal acrylic.



FEATURES

SOURCES: (factory installed, prewired and tested).

- INC.**-(incandescent) 200 watt max.
- MV**-(mercury vapor) 50-75-100-175 watt.
- S** (high pressure sodium) 35 50 70 100 150 watt.
- MH**-(metal halide) 70-100-175 watt.

FINISHES:

All Hanover Lantern finishes available, see page 3 for selection.

GLOBES:

- Opal acrylic.
- Clear acrylic.

VOLTAGES:

120-208-240-277-Quad (contact factory for availability)

REFRACTORS:

- No. **81**-6" borosilicate glass, type V distribution.
- No. **82**-6" borosilicate glass, type III distribution.

PHOTO CONTROL: (optional) factory installed.

- No. **10**-120 Volt only.
- No. **11**-208 to 277 volt. (Must be installed in post only).

ORDERING GUIDE

To ensure prompt and efficient processing of your order, Please follow the sequence listed in the example below.

- SOURCE:**
INC.-Incandescent
MV-mercury vapor
S-high pressure sodium
MH-metal halide
- MODEL NO.:**
2230BP
2270BP
2234BP
2274BP
- FINISH:**
See page 3 for selection.
- GLOBE:**
OA-opal acrylic
CA-Clear acrylic
- WATTAGE:**
MV-50-75-100-175
S-35-50-70-100-150
MH-50-70-100-175
- VOLTAGE:**
120v.-208v.-240v.-277v.
- REFRACTORS:** (optional)
No. **81**-6" glass type V
No. **82**-6" glass type III
- PHOTO CONTROL:** (optional)
No. **10**-120 volt only.
No. **11** 208/277 voll.

① S ② 2230BP ③ BLK ④ CA ⑤ 100 ⑥ 120 ⑦ 81 ⑧ 10

For post selection, see tabbed section P.
Accessories selection, see tabbed section A.

350 Kindig Lane, Hanover, PA 17331

Phone: (717) 632-6464

Fax: (717) 632-5039

Email: sales@hanoverlantern.com

Web: www.hanoverlantern.com

Hanover®

LANTERN

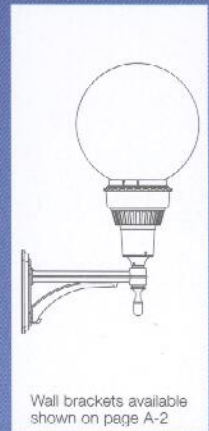
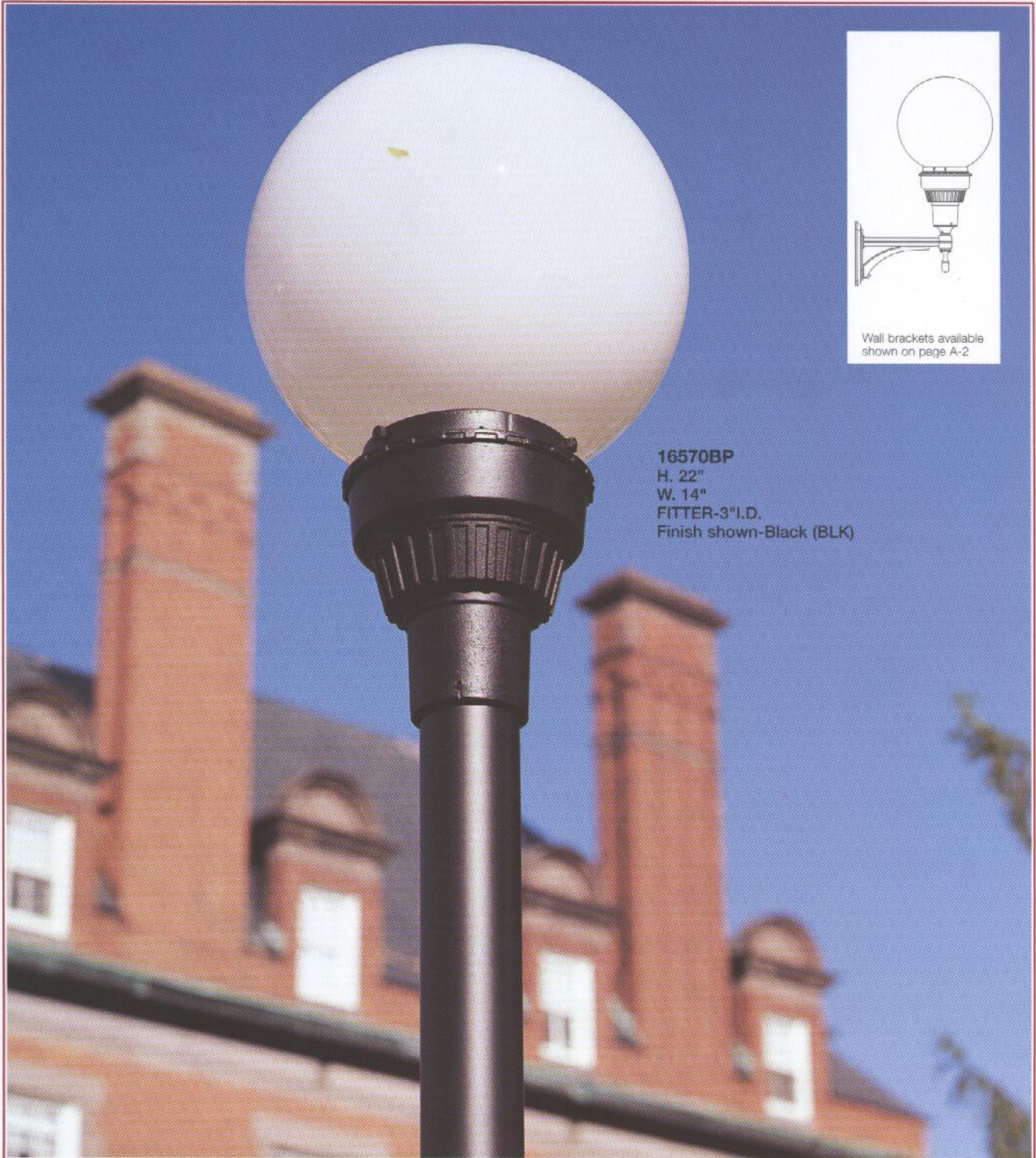
Handcrafted in the USA

PHOENIX IV

16510WA - 16570BP

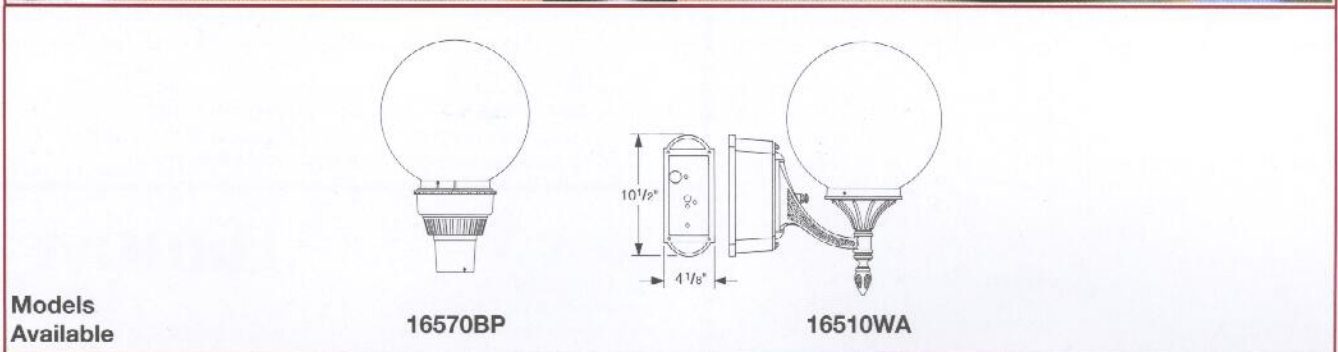
Sitescape®

SITE • ROADWAY • AREA LIGHTING



Wall brackets available shown on page A-2

16570BP
H. 22"
W. 14"
FITTER-3" I.D.
Finish shown-Black (BLK)



Models Available

16570BP

16510WA

PHOENIX IV

16510WA - 16570BP

Sitescape®

SITE • ROADWAY • AREA LIGHTING

FIXTURE SELECTION



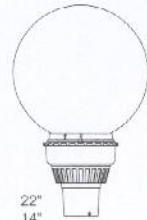
TOP VIEW

2 1/2" MIN. TENON LENGTH FOR 16500 SERIES

HEIGHT:
WIDTH:
FITTER DIA./PROJ.:

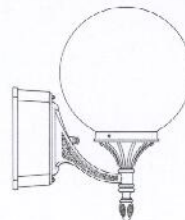
FIXTURE NO.
MAX. WATTS -

| |
|--------|
| INC. |
| M.V. |
| H.P.S. |
| M.H. |
| E.P.A. |



22"
14"
3" I.D.

16570BP
100w
75w
100w
70w
1.34



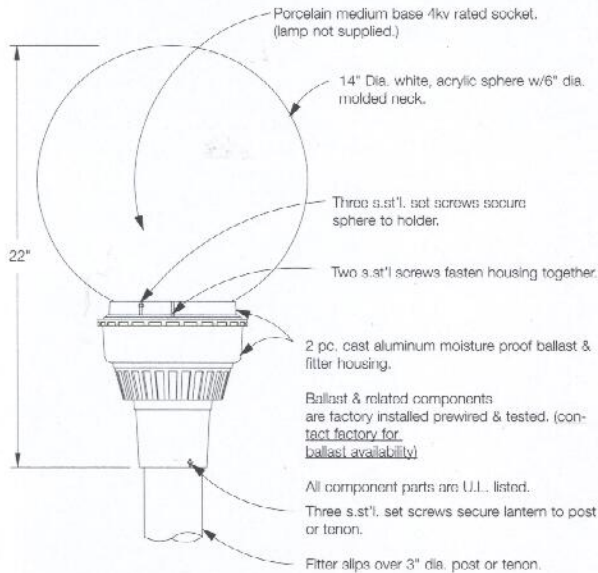
22 7/8"
14"
19 1/8"
14

16510WA
100w
75w
70w
70w

SPECIFICATIONS

MODEL No. shown **16570BP**

E.P.A. - 1.34
Max. Wt. 26 lbs

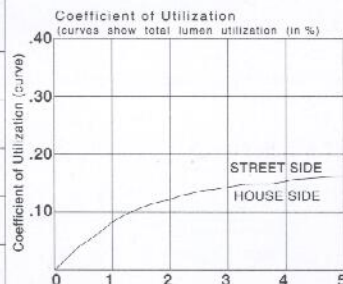
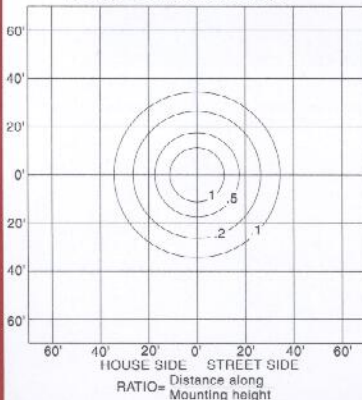


PHOTOMETRIC DATA

Symmetric Distribution

Fixture: 16570BP
Lamp: 70w H.P.S.
Lamp Lumens: 6,300

Optics: Type V
Mounting Height: 10'
Globe: Opal acrylic



FEATURES

SOURCES: (factory installed, prewired and tested).

- INC.-(incandescent) 100 watt max.
- MV-(mercury vapor) 50-75-100 watt.
- S-(high pressure sodium) 35-50-70-100 watt.
- MH-(metal halide) 50-70 watt.

FINISHES:

All Hanover Lantern finishes available, see page 3 for selection.

GLOBES:

14" white acrylic sphere.

VOLTAGES:

120-208-240-277-QUAD (contact factory for availability)

PHOTO CONTROL: NOT AVAILABLE.

ORDERING GUIDE

To ensure prompt and efficient processing of your order, Please follow the sequence listed in the example below.

- ① **SOURCE:**
INC.-incandescent
MV-mercury vapor
S-high pressure sodium
MH-metal halide
- ② **MODEL NO.:**
16570BP
16510WA
- ③ **FINISH:**
See page 3 for selection.
- ④ **WATTAGE:**
MV-50-75-100
S-35-50-70-100
MH-50-70
- ⑤ **VOLTAGE:**
120v.-208v.-240v.-277v.

① S ② 16570BP ③ BLK ④ 100 ⑤ 120

For post selection, see tabbed section P.
Accessories selection, see tabbed section A.

350 Kindig Lane, Hanover, PA 17331

Phone: (717) 632-6464

Fax: (717) 632-5039

Email: sales@hanoverlantern.com

Web: www.hanoverlantern.com

Hanover®

LANTERN

Handcrafted in the USA

OREGON

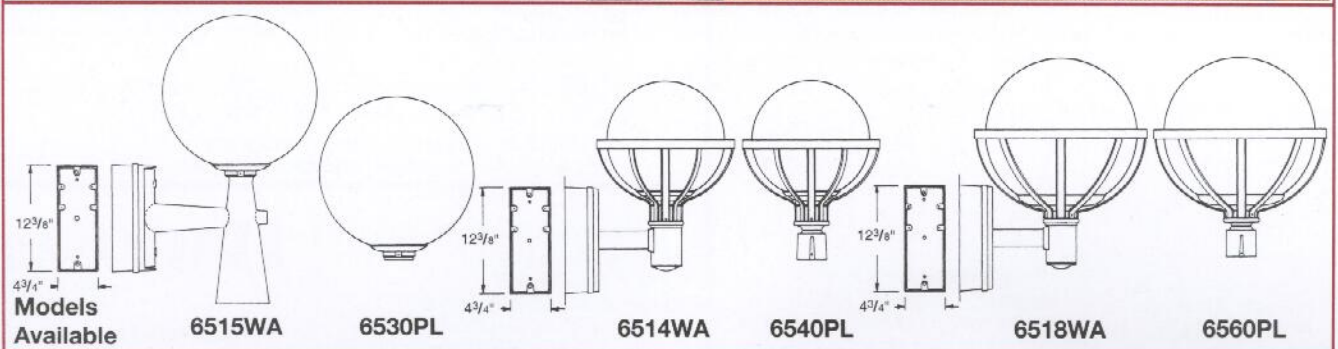
6514WA - 6515WA - 6518WA
6530PL - 6540PL - 6560PL

Sitescape®

SITE • ROADWAY • AREA LIGHTING



6540PL
H. 21 1/4"
W. 16"
FITTER-3" I.D.
Finish shown-Verde (VGN)



FIXTURE SELECTION

2 1/2" MIN. TENON LENGTH FOR 6500 SERIES

HEIGHT: 33 1/2"
WIDTH: 18"
FITTER DIA./PROJ.: 24"
T/O: 23 1/2"

| FIXTURE NO. | INC. | M.V. | H.P.S. | M.H. | E.P.A. |
|-------------|------|------|--------|------|--------|
| 6515WA | 200w | 100w | 70w | 100w | |
| 6530PL | 200w | 175w | 150w | 50w | 1.78 |
| 6514WA | 150w | 100w | 100w | 100w | |
| 6540PL | 150w | 100w | 100w | 50w | 1.40 |
| 6518WA | 200w | 100w | 100w | 100w | |
| 6560PL | 200w | 175w | 150w | 50w | 2.10 |

SPECIFICATIONS

MODEL No. shown **6560PL** E.P.A. - 2.10
Max. Wt. 20 lbs

20" DIA.

18" dia. sphere white polycarbonate.

Porcelain mogul base 4kv rated socket.

Cast aluminum globe cage with 8 legs.

2 pc. cast aluminum globe fitter.

To relamp loosen (Do not remove) four screws located on bottom of globe fitter.

Three 1/4-20 s.s.t'l. set screws for securing globe cage assembly to 3" O.D. tenon.

Cast aluminum post fitter.

Three 5/16-18 s.s.t'l. set screws for securing fixture to post.

Loop, three chain links, and cast aluminum ballast coupler holds ballast.

Post line ballast. Customer must specify wattage & voltage.

NOTE: Wall thickness of post to be .125" maximum.

FEATURES

SOURCES:
INC.-(incandescent) 200 watt max.
MV (mercury vapor) 50-75-100-175 watt.
S-(high pressure sodium) 35-50-70-100-150 watt.
MH-(metal halide) 50-70-100 watt.

FINISHES:
 All Hanover Lantern finishes available, see page 3 for selection.

GLOBES:
OA-Opal acrylic.
OP-Opal polycarbonate, UV stabilized.

VOLTAGES:
 120 (others available, contact factory for availability)

PHOTO CONTROL: CONSULT FACTORY.

NOTE: For metal halide post line ballast models 50 watt max. is available.

ORDERING GUIDE

To ensure prompt and efficient processing of your order, Please follow the sequence listed in the example below.

- SOURCE:**
INC.-incandescent
MV-mercury vapor
S-high pressure sodium
MH-metal halide
- MODEL NO.:**
6514WA 6540PL
6515WA 6560PL
6518WA
6530PL
- FINISH:**
 See page 3 for selection.
- GLOBES:**
OA-opal acrylic
OP-opal polycarbonate
- WATTAGE:**
MV-50-75-100-175
S-35-50-70-100-150
MH-50-70-100
- VOLTAGE:**
 120v. (others available, contact factory for availability)

① **S** ② **6530PL** ③ **BLK** ④ **OP** ⑤ **100** ⑥ **120**

For post selection, see tabbed section P.
 Accessories selection, see tabbed section A.

PHOTOMETRIC DATA

Symmetric Distribution

Fixture: 6530PL
 Lamp: 150w H.P.S.
 Lamp Lumens: 16,000

Optics: Type V
 Mounting Height: 12'
 Globe: Opal acrylic

Coefficient of Utilization (curves show total lumen utilization (in %))

Mounting height multiplier for isolux.

| Mtg.Ht.(ft.) | 10' | 11' | 12' | 13' | 14' |
|-------------------|-----|-----|-----|-----|-----|
| Correction factor | 1.4 | 1.2 | 1.0 | .86 | .73 |

350 Kindig Lane, Hanover, PA 17331
 Phone: (717) 632-6464
 Fax: (717) 632-5039
 Email: sales@hanoverlantern.com
 Web: www.hanoverlantern.com

Hanover®
 LANTERN
 Handcrafted in the USA

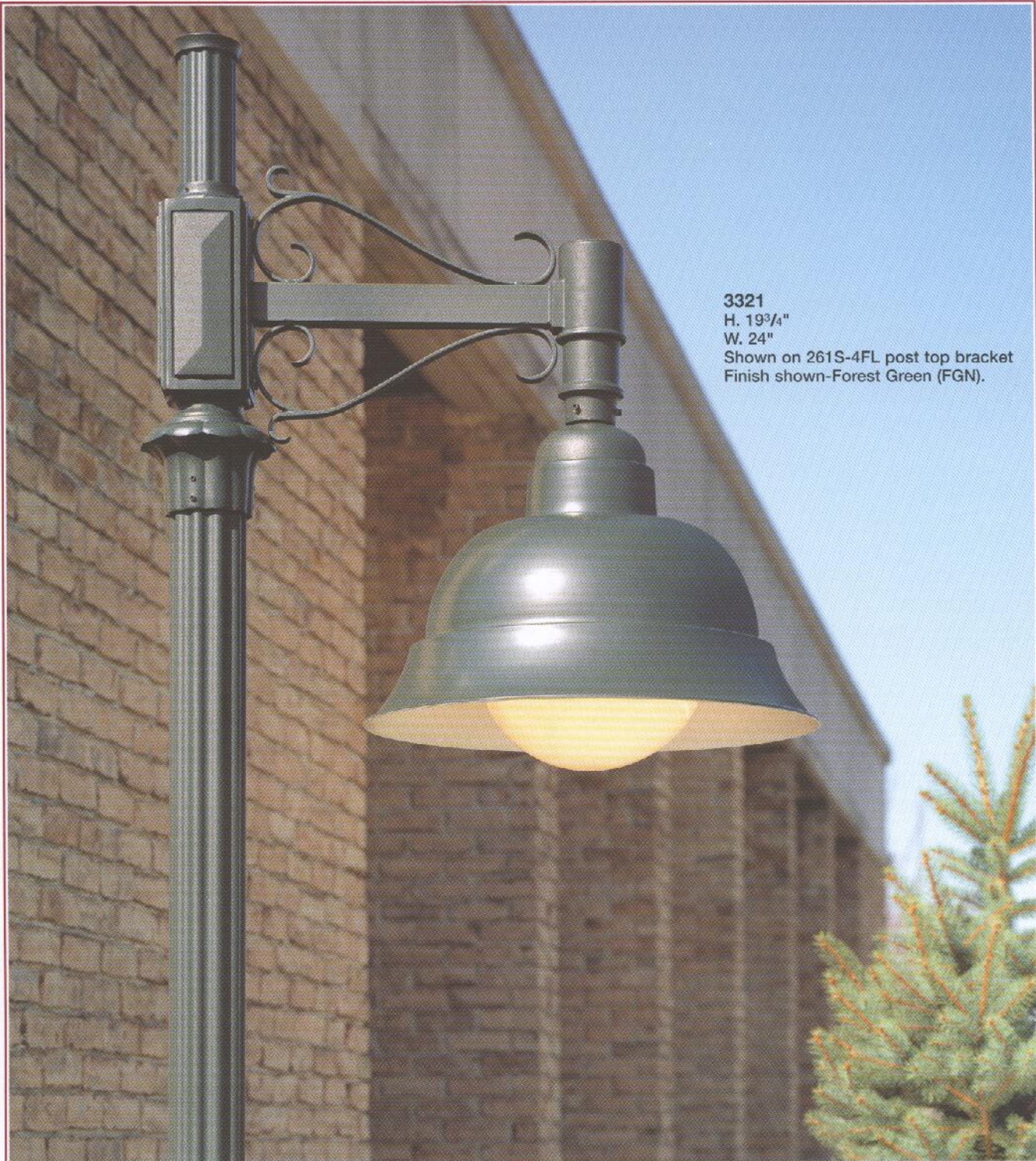
SENECA

3321

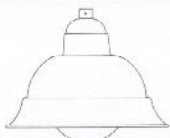
POST TOP BRACKETS and WALL BRACKETS

Sitescape®

SITE • ROADWAY • AREA LIGHTING



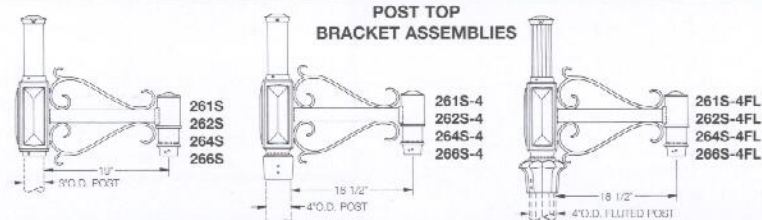
3321
 H. 19³/₄"
 W. 24"
 Shown on 261S-4FL post top bracket
 Finish shown-Forest Green (FGN).



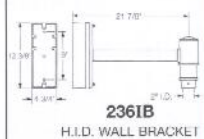
3321 SHADE
 (OTHER SHADES AVAILABLE)

- | | |
|---------------|---------------|
| 3310 pg. G-19 | 3315 pg. G-21 |
| 3311 pg. G-19 | 3316 pg. G-21 |
| 3312 pg. G-19 | 3317 pg. G-17 |
| 3313 pg. G-19 | 3318 pg. G-17 |
| 3314 pg. G-21 | 3319 pg. G-17 |

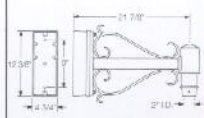
Models Available



POST TOP BRACKET MOUNTING CONFIGURATIONS

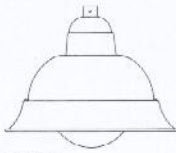


2361B
 H.I.D. WALL BRACKET



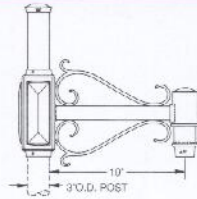
236S1B
 H.I.D. WALL BRACKET

FIXTURE SELECTION

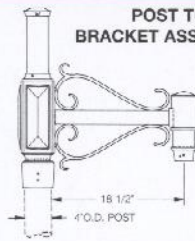


HEIGHT: 19 3/4"
WIDTH: 24"
FITTER DIA.: 2" O.D.

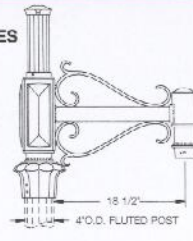
FIXTURE NO. **3321**
MAX. WATTS -
INC. 150w
M.V. 100w
H.P.S. 150w
M.H. 70w
E.P.A. 1.62



261S SINGLE
262S TWO LIGHT
264S FOUR LIGHT
266S THREE LIGHT

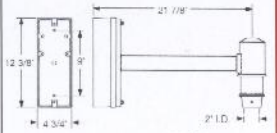


261S-4 SINGLE
262S-4 TWO LIGHT
264S-4 FOUR LIGHT
266S-4 THREE LIGHT

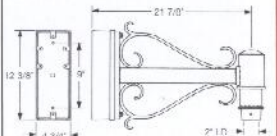


261S-4FL SINGLE
262S-4FL TWO LIGHT
264S-4FL FOUR LIGHT
266S-4FL THREE LIGHT

POST TOP BRACKET MOUNTING CONFIGURATIONS



2361B
H.I.D. WALL BRACKET

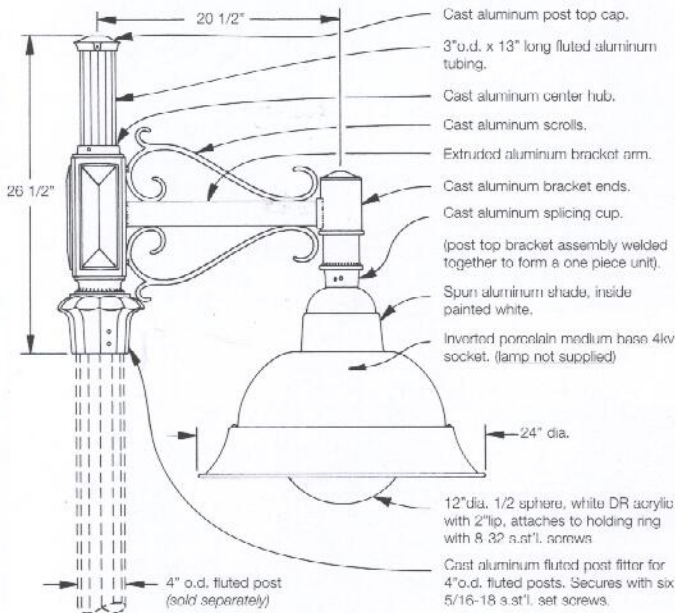


236S1B
H.I.D. WALL BRACKET

SPECIFICATIONS

MODEL No. shown 3321 W/261S-4FS

E.P.A. - 1.62
Max. Wt. 12 lbs



FEATURES

SOURCES:

INC.-(incandescent) 150 watt max.
MV-(mercury vapor) 50-75-100 watt.
S (high pressure sodium) 35-50-70-100-150 watt.
MH-(metal halide) 50-70 watt.

FINISHES:

All Hanover Lantern finishes available, see page 3 for selection.

GLOBES:

Opal acrylic.

SOCKET:

Available with a medium base socket only.

VOLTAGES:

120 (others available, contact factory for availability)

PHOTO CONTROL:

NOT AVAILABLE.

NOTE: Only post line or remotely located ballasts must be used.

NOTE: For metal halide post line ballast models, 50 watt max. is available.

ORDERING GUIDE

To ensure prompt and efficient processing of your order, Please follow the sequence listed in the example below.

- ① **SOURCE:**
INC.-incandescent
MV-mercury vapor
S-high pressure sodium
MH-metal halide
- ② **MODEL NO.:**
3321
- ③ **FINISH:**
See page 3 for selection.
- ④ **WATTAGE:**
MV-50-75-100
S-35-50-70-100-150
MH-50-70
- ⑤ **VOLTAGE:**
120v. (others available, contact factory for availability)
- ⑥ **POST TOP BRACKET ASSEMBLIES:**
261S 261S-4 261S-4FL
262S 262S-4 262S-4FL
264S 264S-4 264S-4FL
266S 266S-4 266S-4FL
- ⑦ **WALL BRACKETS:**
2361B
236S1B

① S ② 3321 ③ BLK ④ 100 ⑤ 120 ⑥ 261S-4FL

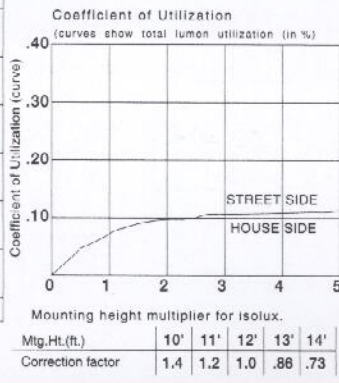
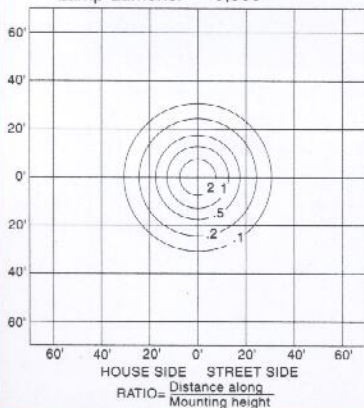
For post selection, see tabbed section P.
Accessories selection, see tabbed section A.

PHOTOMETRIC DATA

Symmetric Distribution

Fixture: 3321
Lamp: 100w H.P.S.
Lamp Lumens: 9,500

Optics: Type V
Mounting Height: 10'
Globe: Opal acrylic



350 Kindig Lane, Hanover, PA 17331
Phone: (717) 632-6464
Fax: (717) 632-5039
Email: sales@hanoverlantern.com
Web: www.hanoverlantern.com

Hanover®
LANTERN
Handcrafted in the USA

WATERBURY

3317 - 3318 - 3319

BRACKET ARMS 247PL - 249PL - 249SPL - 253IB

Sitescape®

SITE • ROADWAY • AREA LIGHTING



3319
H. 25" (less arm)
W. 21⁵/₈"
FITTER-2" O.D.
Shown on 249PL bracket arm
Finish shown
Shadow Burgundy (SBU)



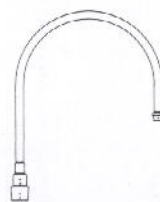
Models Available **3317**



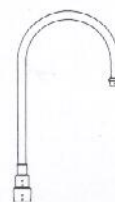
3318



3319



247PL
BRKT. ARM



249PL
BRKT. ARM

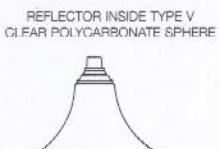
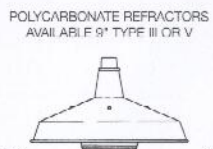
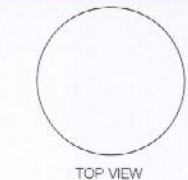


249SPL
BRKT. ARM



253IB
BRKT. ARM

FIXTURE SELECTION



2 1/2" MIN. TENON LENGTH FOR 247, 249 & 249S BKT. ARMS

HEIGHT: 12 3/8"
WIDTH: 20"
FITTER DIA.: 2" O.D.

12 3/8"
20"
2" O.D.

12 1/4"
20 1/2"
2" O.D.

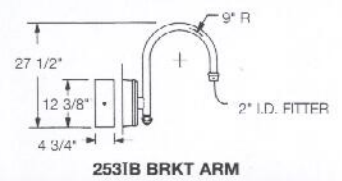
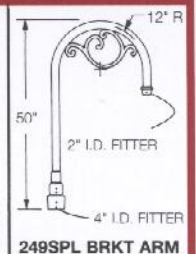
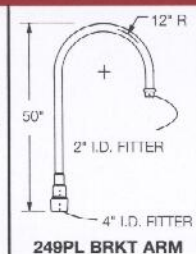
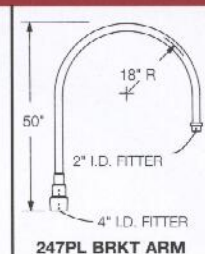
25"
21 5/8"
2" O.D.

FIXTURE NO. MAX. WATTS - INC. M.V. H.P.S. M.H. E.P.A.

3317
80w
75w
70w
50w
0.64

3318
150w
100w
150w
70w
0.77

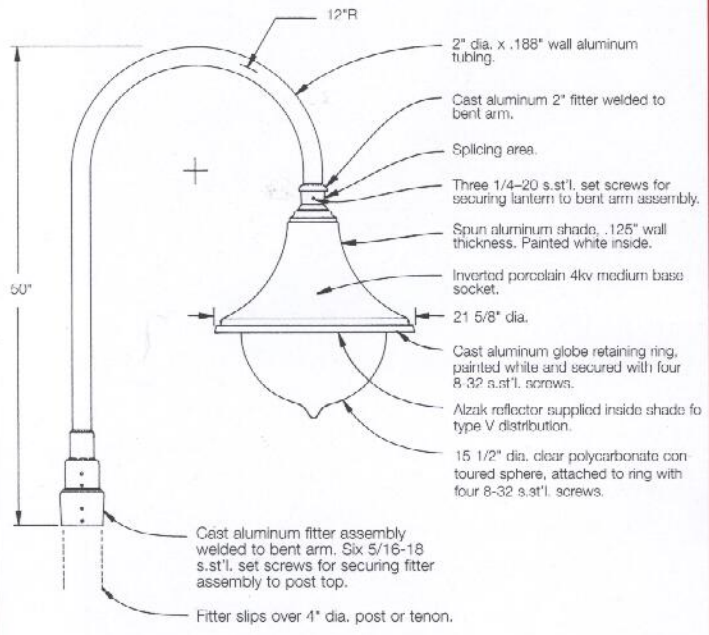
3319
150w
175w
150w
70w
1.63



SPECIFICATIONS

MODEL No. shown 3319 w/249PL bracket

E.P.A. - 1.63
Max. Wt. 12 lbs



FEATURES

SOURCES:

- INC.-incandescent 150 watt max.
- MV-(mercury vapor) 50-75-100 watt.
- S-(high pressure sodium) 35-50-70-100-150 watt.
- MH-(metal halide) 50-70 watt.

FINISHES:

All Hanover Lantern finishes available, see page 3 for selection.

GLOBES:

- White polyethylene
- Polycarbonate prismatic refractor, type V
- Clear polycarbonate contoured sphere

SOCKET:

Available with a medium base socket only.

VOLTAGES:

120 (others available, contact factory for availability)

PHOTO CONTROL:

NOT AVAILABLE

NOTE: 247PL, 249PL & 249SPL bracket arms, available with a post line ballast only.

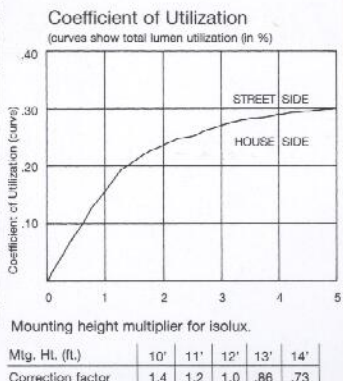
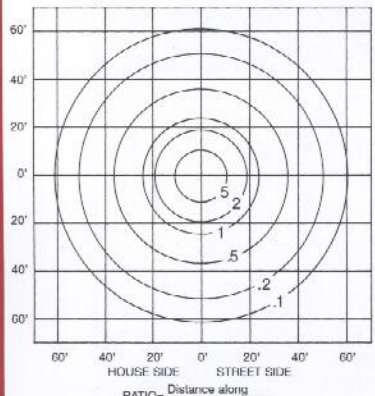
NOTE: For metal halide post line ballast models, 50 watt max. is available.

PHOTOMETRIC DATA

Symmetric Distribution

Fixture: 3319
Lamp: 150w H.P.S.
Lamp Lumens: 16,000

Optics: Type V
Mounting Height: 12'
Globe: Clear polycarbonate



ORDERING GUIDE

To ensure prompt and efficient processing of your order, Please follow the sequence listed in the example below.

- SOURCE:**
INC.-incandescent
MV-mercury vapor
S-high pressure sodium
MH-metal halide
 - MODEL NO.:**
3317
3318
3319
 - FINISH:**
See page 3 for selection.
 - WATTAGE:**
MV-50-75-100
S-35-50-70-100-150
MH-50-70
 - VOLTAGE:**
120v. (others available, contact factory for availability)
- BRACKET ARM:**
247PL
249PL
249SPL
253IB

① S ② 3319 ③ SBU 100 ④ 120 ⑤ 247

For post selection, see tabbed section P.
Accessories selection, see tabbed section A.

350 Kindig Lane, Hanover, PA 17331
Phone: (717) 632-6464
Fax: (717) 632-5039
Email: sales@hanoverlantern.com
Web: www.hanoverlantern.com

Hanover®
LANTERN
Handcrafted in the USA

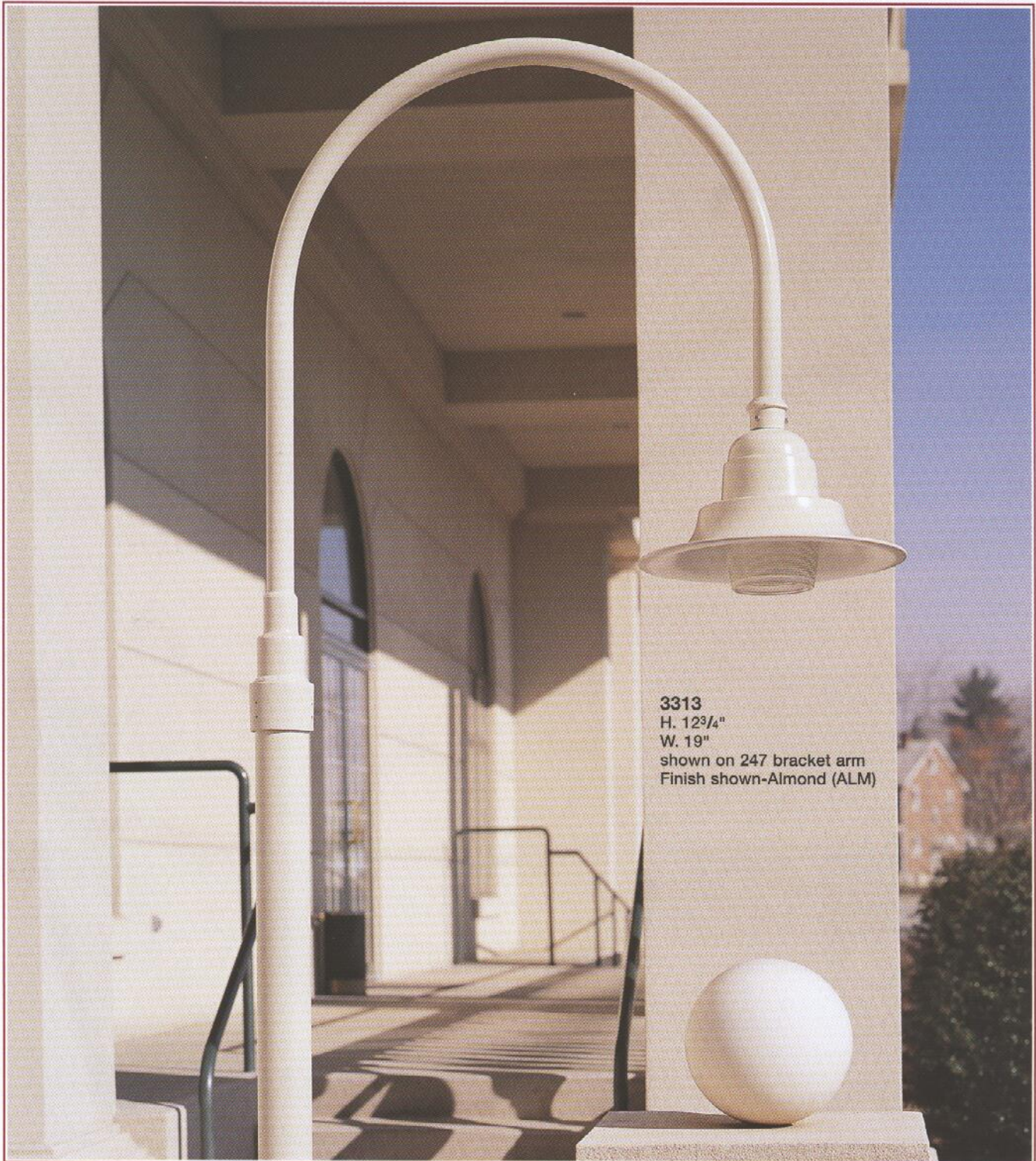
ANNAPOLIS

3310 - 3311 - 3312 - 3313

BRACKET ARMS 247 - 249S - 253IB

Sitescape®

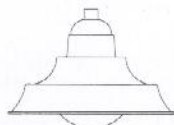
SITE • ROADWAY • AREA LIGHTING



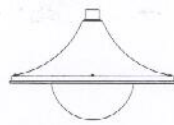
3313
H. 12³/₄"
W. 19"
shown on 247 bracket arm
Finish shown-Almond (ALM)



3310



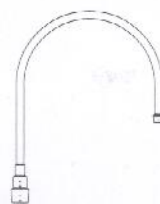
3311



3312



3313



247PL
BRKT. ARM



249SPL
BRKT. ARM



253IB
BRKT. ARM

Models Available

ANNAPOLIS

3310 - 3311 - 3312 - 3313
BRACKET ARMS 247-249S-253IB

Sitescape®

SITE • ROADWAY • AREA LIGHTING

FIXTURE SELECTION

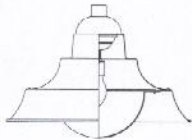


TOP VIEW

POLYCARBONATE REFRACTORS
AVAILABLE 9" TYPE III OR V

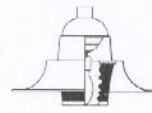


WHITE D.R. ACRYLIC
12" DIA. GLOBE, TYPE V



2 1/2" MIN. TENON LENGTH
FOR 247 & 249S BKT ARMS

GLASS REFRACTORS
AVAILABLE 8" TYPE III OR V



HEIGHT:
WIDTH:
FITTER DIA.:

13 1/8"
20"
2" O.D.

17 1/4"
24"
2" O.D.

16"
24"
2" O.D.

12 3/4"
19"
2" O.D.

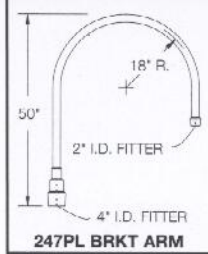
FIXTURE NO.
MAX. WATTS -

3310
INC. 150w
M.V. 100w
H.P.S. 150w
M.H. 70w
E.P.A. 0.65

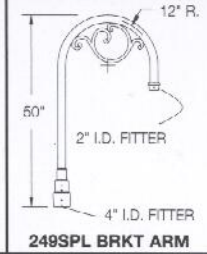
3311
150w
100w
150w
70w
1.22

3312
150w
100w
150w
70w
0.90

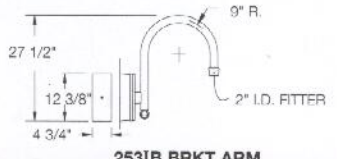
3313
150w
100w
150w
70w
0.66



247PL BRKT ARM



249SPL BRKT ARM



253IB BRKT ARM

SPECIFICATIONS

MODEL No. shown 3310 w/253IB bracket

E.P.A. - 1.74
Max. Wt. 27 lbs

FEATURES

SOURCES:

- INC.-(incandescent) 150 watt max.
- MV-(mercury vapor) 50-75-100 watt.
- S-(high pressure sodium) 35-50-70-100-150 watt.
- MH-(metal halide) 50-70 watt.

FINISHES:

All Hanover Lantern finishes available, see page 3 for selection.

GLOBES:

- Opal acrylic.
- Prismatic glass refractor bowl.

SOCKET:

Available with a medium base socket only.

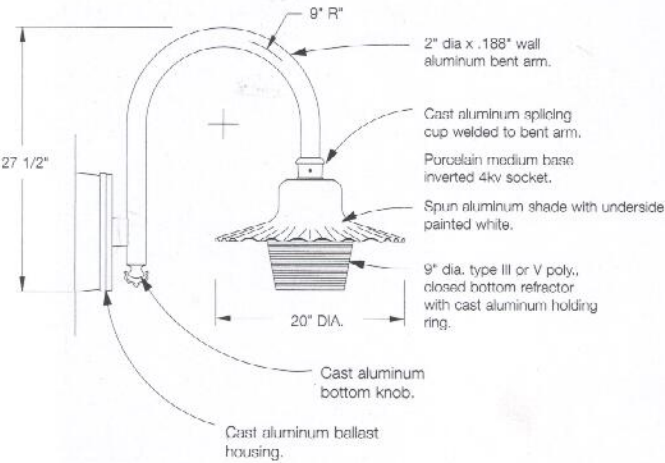
VOLTAGES:

120 (others available, contact factory for availability)

PHOTO CONTROL: NOT AVAILABLE.

NOTE: 247PL & 249SPL bracket arms, available with a post line ballast only.

NOTE: For metal halide post line ballast models, 50 watt max. is available.

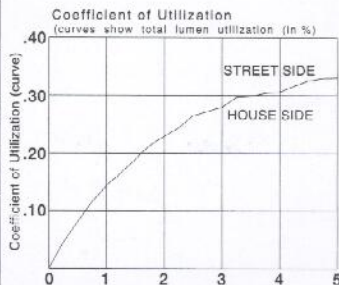
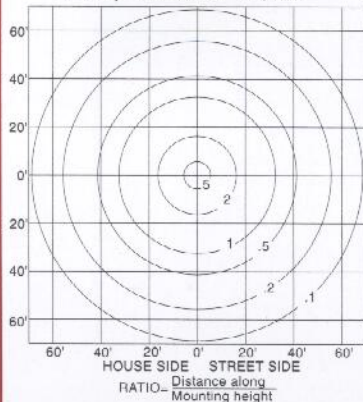


PHOTOMETRIC DATA

Symmetric Distribution

Fixture: 3310
Lamp: 150w H.P.S.
Lamp Lumens: 16,000

Optics: Type V Refractor
Mounting Height: 12'
Globe: Prismatic polycarbonate



| Mounting height multiplier for isolux. | 10' | 11' | 12' | 13' | 14' |
|--|-----|-----|-----|-----|-----|
| Correction factor | 1.4 | 1.2 | 1.0 | .86 | .73 |

ORDERING GUIDE

To ensure prompt and efficient processing of your order, Please follow the sequence listed in the example below.

- ① **SOURCE:**
INC.-incandescent
MV-mercury vapor
S-high pressure sodium
MH-metal halide
- ② **MODEL NO.:**
3310
3311
3312
3313
- ③ **FINISH:**
See page 3 for selection.
- ④ **WATTAGE:**
MV-50-75-100
S-35-50-70-100-150
MH-50-70
- ⑤ **VOLTAGE:**
120v. (others available, contact factory for availability)
- ⑥ **BRACKET ARM:**
247PL
249SPL
253IB

① S ② 3310 ③ BLK ④ 100 ⑤ 120 ⑥ 247

For post selection, see tabbed section P.
Accessories selection, see tabbed section A.

350 Kindig Lane, Hanover, PA 17331
Phone: (717) 632-6464
Fax: (717) 632-5039
Email: sales@hanoverlantern.com
Web: www.hanoverlantern.com

Hanover®
LANTERN
Handcrafted in the USA

NEW HAVEN 3314 - 3315 - 3316

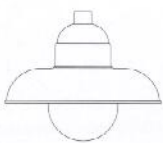
BRACKET ARMS 251 - 252S - 254IB - 254PL

Sitescape®

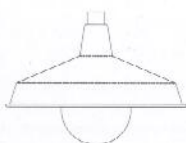
SITE • ROADWAY • AREA LIGHTING



3316
H. 81 1/8"
W. 20"
Shown on 254PL bracket
Finish shown-Verde (VGN)



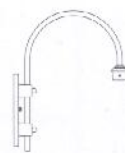
3314



3315



3316



251
BRKT. ARM



252S
BRKT. ARM




254IB
BRKT. ARM



254PL
BRKT. ARM

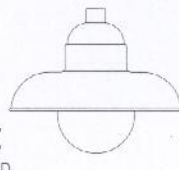
Models Available

FIXTURE SELECTION



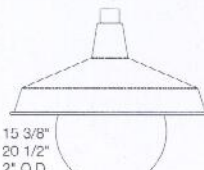
TOP VIEW

8" DIA. WHITE POLYETHYLENE GLOBE




HEIGHT: 15"
WIDTH: 18"
FITTER DIA.: 2" O.D.

12" DIA. WHITE POLYETHYLENE GLOBE

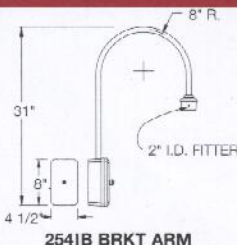


HEIGHT: 15 3/8"
WIDTH: 20 1/2"
FITTER DIA.: 2" O.D.


SUPPLIED WITH A 4kv PORCELAIN SOCKET



HEIGHT: 8 1/8"
WIDTH: 20"
FITTER DIA.: 2" O.D.



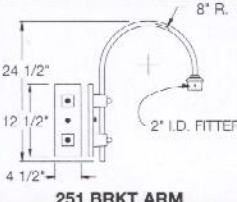
254IB BRKT ARM



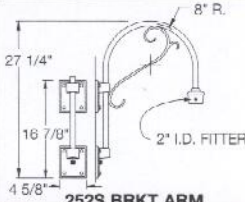
254PL BRKT ARM

FIXTURE NO. MAX. WATTS -

| | | | |
|--------|------|------|------|
| INC. | 3314 | 3315 | 3316 |
| M.V. | | | |
| H.P.S. | | | |
| M.H. | | | |
| E.P.A. | | | |



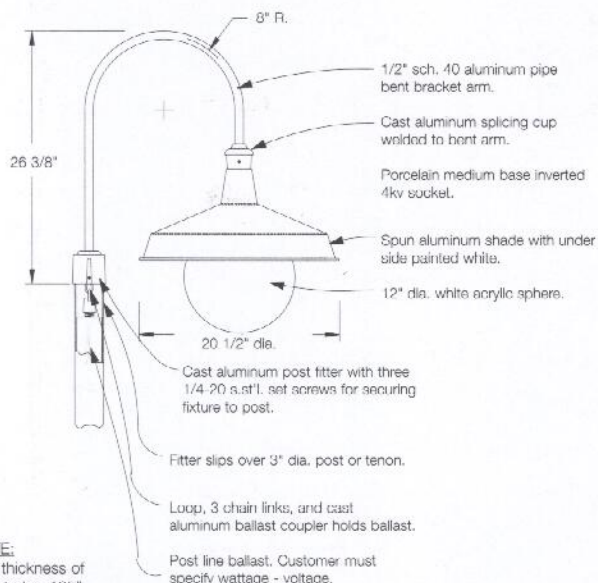
251 BRKT ARM



252S BRKT ARM

SPECIFICATIONS

MODEL No. shown 3315 w/254PL bracket E.P.A. - 1.51 Max. Wt. 20 lbs



NOTE: Wall thickness of post to be .125" maximum.

FEATURES

SOURCES:

- INC.-(incandescent) 60 watt max.
- MV-(mercury vapor) 50-75 watt.
- S-(high pressure sodium) 35-50-70 watt.
- MH-(metal halide) 50 watt.

FINISHES:

All Hanover Lantern finishes available, see page 3 for selection.

GLOBES:

Opal polyethylene.

SOCKET:

Available with a medium base socket only.

VOLTAGES:

120 (others available, contact factory for availability)

PHOTO CONTROL: NOT AVAILABLE.

NOTE: 254PL bracket arm available with a post line ballast only.

NOTE: 251 & 252S bracket arms available in incandescent only.

ORDERING GUIDE

To ensure prompt and efficient processing of your order, Please follow the sequence listed in the example below.

- | | |
|---|---|
| <p>① SOURCE: INC.-incandescent MV-mercury vapor S-high pressure sodium MH-metal halide</p> | <p>④ WATTAGE: MV-50-75 S-35-50-70 MH-50</p> |
| <p>② MODEL NO.: 3314 3315 3316</p> | <p>⑤ VOLTAGE: 120v. (others available, contact factory for availability)</p> |
| <p>③ FINISH: See page 3 for selection.</p> | <p>⑥ BRACKET ARM: 251 251S 254IB 254PL</p> |

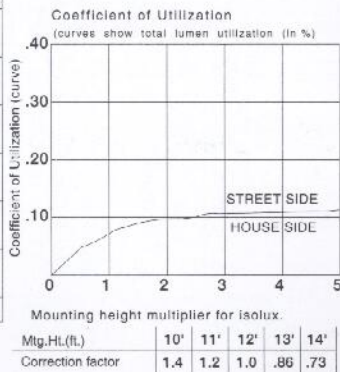
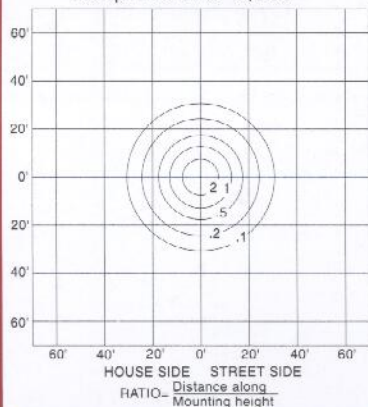
① S ② 3314 ③ BLK 100 ④ 120 ⑤ 251

For post selection, see tabbed section P. Accessories selection, see tabbed section A.

PHOTOMETRIC DATA

Symmetric Distribution

Fixture: 3314
Lamp: 100w H.P.S.
Lamp Lumens: 9,500
Optics: Type V
Mounting Height: 10'
Globe: Opal acrylic



350 Kindig Lane, Hanover, PA 17331
Phone: (717) 632-6464
Fax: (717) 632-5039
Email: sales@hanoverlantern.com
Web: www.hanoverlantern.com

Hanover®
LANTERN
Handcrafted in the USA

SANTE FE

2250BP - 2260BP - 2280BP - 2290BP
BRACKET ARMS 246 - 248S - 250 - 250S

Sitescape®

SITE • ROADWAY • AREA LIGHTING

Gettysburg College - Gettysburg, PA



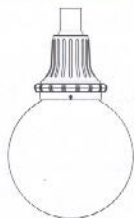
2290BP
 H. 24"
 W. 20"
 Shown on 248S bracket arm
 Finish shown-Shadow green (SGN)



2250BP
Models Available



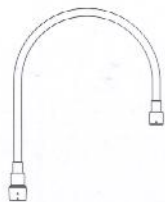
2260BP



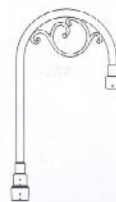
2280BP



2290BP



246
 BRKT. ARM



248S
 BRKT. ARM



250
 BRKT. ARM



250S
 BRKT. ARM


SANTE FE

2250BP - 2260BP - 2280BP - 2290BP
BRACKET ARMS 246-248S-250-250S

Sitescape®

SITE • ROADWAY • AREA LIGHTING


FIXTURE SELECTION



TOP VIEW

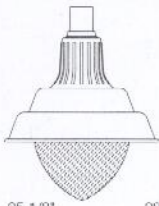
2 1/2" MIN. TENON LENGTH FOR 246 & 248S BRACKET ARMS

TEXTURED POLYCARBONATE TYPE V GLOBE



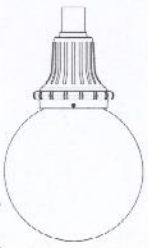
HEIGHT: 25 1/8"
WIDTH: 12 3/8"
FITTER DIA.: 3" O.D.

16" DIA. OPAL GLOBE



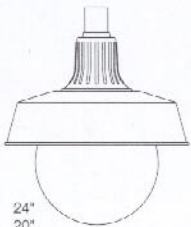
HEIGHT: 25 1/8"
WIDTH: 20"
FITTER DIA.: 3" O.D.

16" DIA. OPAL GLOBE



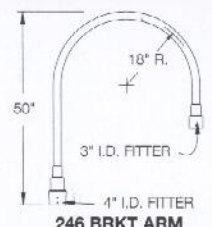
HEIGHT: 28 1/4"
WIDTH: 18"
FITTER DIA.: 3" O.D.

16" DIA. OPAL GLOBE

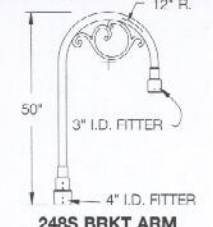


HEIGHT: 24"
WIDTH: 20"
FITTER DIA.: 3" O.D.

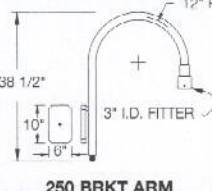
| FIXTURE NO. | INC. | 2250BP | 2260BP | 2280BP | 2290BP |
|--------------|------|--------|--------|--------|--------|
| MAX. WATTS - | | 150w | 150w | 150w | 150w |
| M.V. | | 100w | 100w | 100w | 100w |
| H.P.S. | | 150w | 150w | 150w | 150w |
| M.H. | | 175w | 175w | 175w | 175w |
| E.P.A. | | 1.20 | 1.38 | 2.32 | 2.90 |



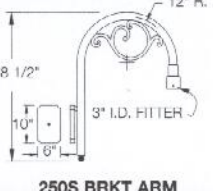
246 BRKT ARM



248S BRKT ARM



250 BRKT ARM

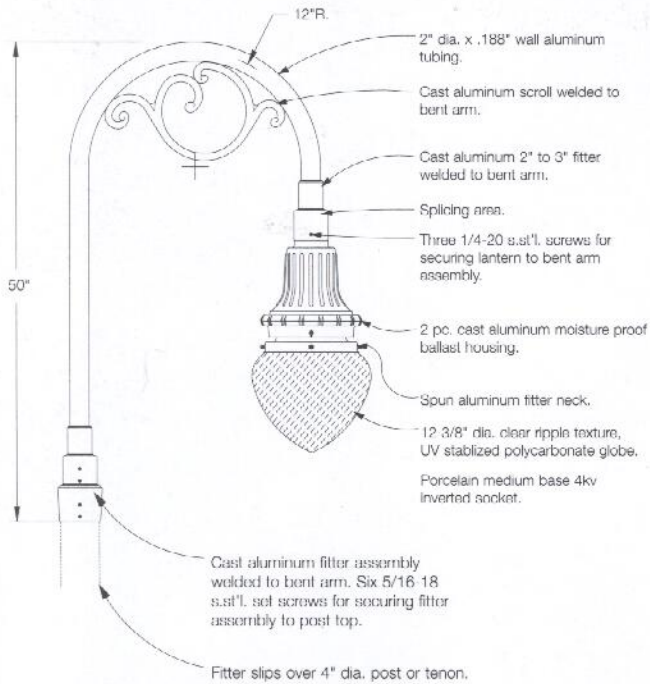


250S BRKT ARM

SPECIFICATIONS

MODEL No. shown 2250BP w/248S bracket

E.P.A. - 2.79
Max. Wt. 44 lbs



FEATURES

SOURCES: (factory installed, prewired and tested).

INC.-(incandescent) 150 watt max.

MV (mercury vapor) 50-75-100 watt.

S-(high pressure sodium) 35-50-70-100-150 watt.

MH-(metal halide) 70-100-175 watt.

FINISHES:

All Hanover Lantern finishes available, see page 3 for selection.

GLOBES:

Opal acrylic.

Opal UV stabilized polycarbonate.

Clear textured polycarbonate, UV stabilized.

SOCKET:

Available with a medium base socket only.

VOLTAGES:

120-208-240-277-QUAD (contact factory for availability)

PHOTO CONTROL: (optimal) factory installed.

No. 10-120 volt only.

No. 11-208 to 277 volt. (Must be installed in post only.)

ORDERING GUIDE

To ensure prompt and efficient processing of your order, Please follow the sequence listed in the example below.

- | | |
|--|--|
| <p>① SOURCE: INC.-incandescent MV-mercury vapor S-high pressure sodium MH-metal halide</p> <p>② MODEL NO.: 2250BP 2260BP 2280BP 2290BP</p> <p>③ FINISH: See page 3 for selection.</p> | <p>④ WATTAGE: MV-50-75-100 S-35-50-70-100-150 MH-70-100-175</p> <p>⑤ VOLTAGE: 120v.-208v.-240v.-277v.</p> <p>⑥ PHOTO CONTROL: (optimal) 10-120 volt only. 11-208/277 volt.</p> <p>⑦ BRACKET ARM: 246 248S 250 250S</p> |
|--|--|
- 1 2 3 4 5 6 7
S 2250BP BLK 100 120 10 250S

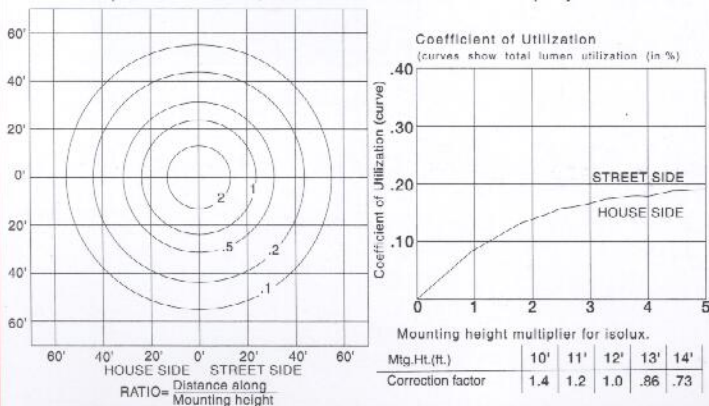
For post selection, see tabbed section P.
Accessories selection, see tabbed section A.

PHOTOMETRIC DATA

Symmetric Distribution

Fixture: 2250BP
Lamp: 150w H.P.S.
Lamp Lumens: 16,000

Optics: Type V
Mounting Height: 12'
Globe: Textured polycarbonate



Posts



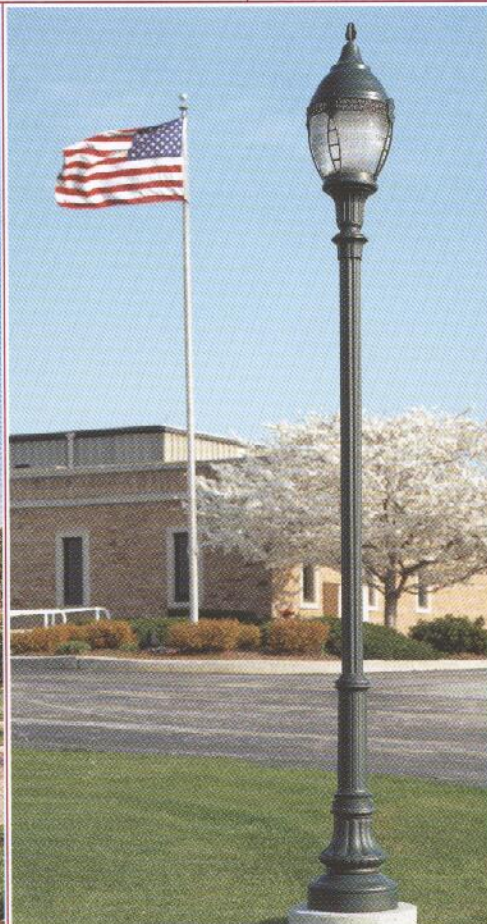
Oyster Point – Newport News, VA



Homewood at Plum Creek – Hanover, PA



Dominion Valley – Haymarket, VA



Industrial Complex – Lexington, KY



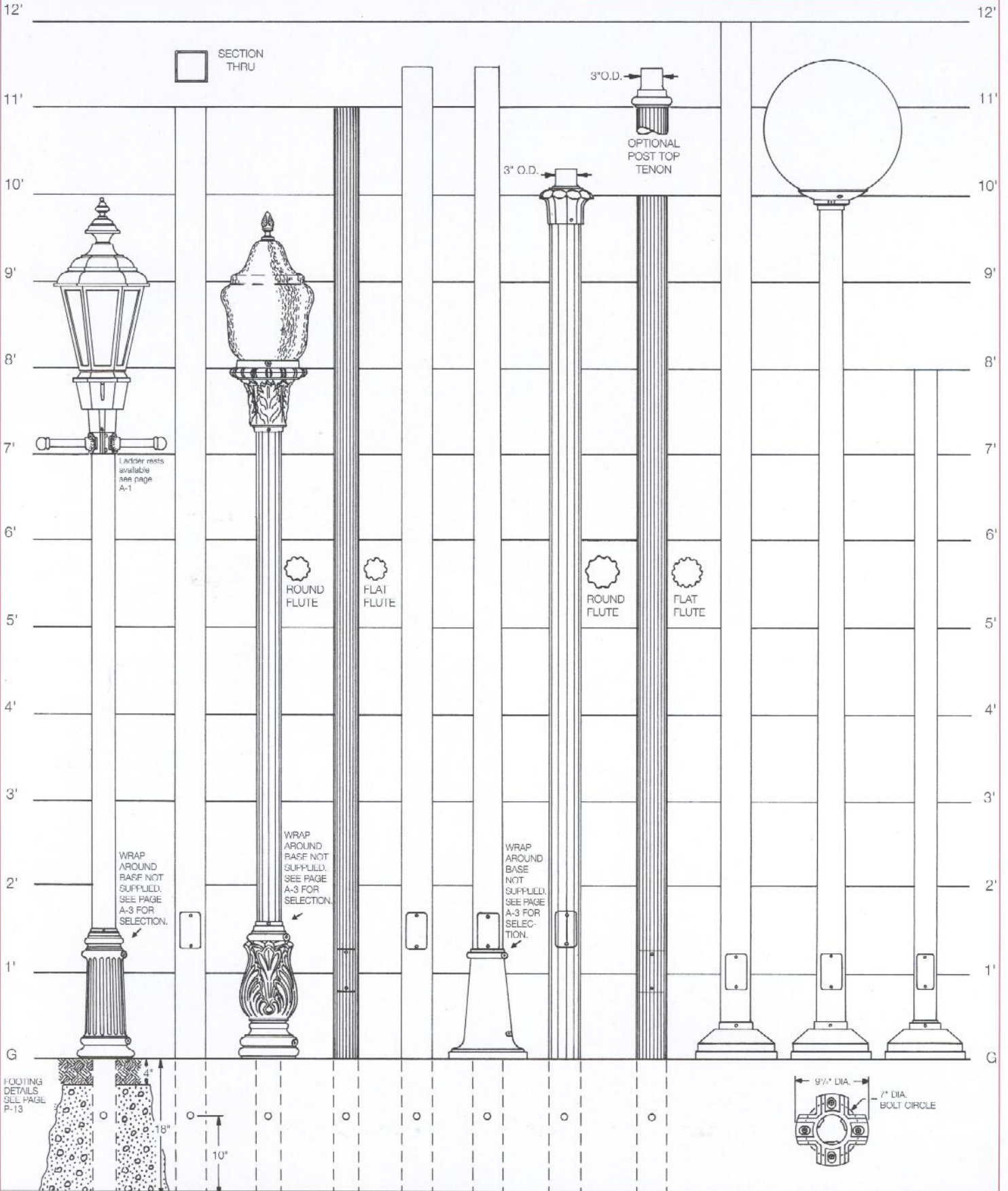
Regents Glen – York, PA

Direct Burial Posts

NOTE: When ordering direct burial posts, Example - A 350 - 8' post will extend 6' - 6" above ground, 18" in ground. See page P-16 for details.

Anchor Base Posts

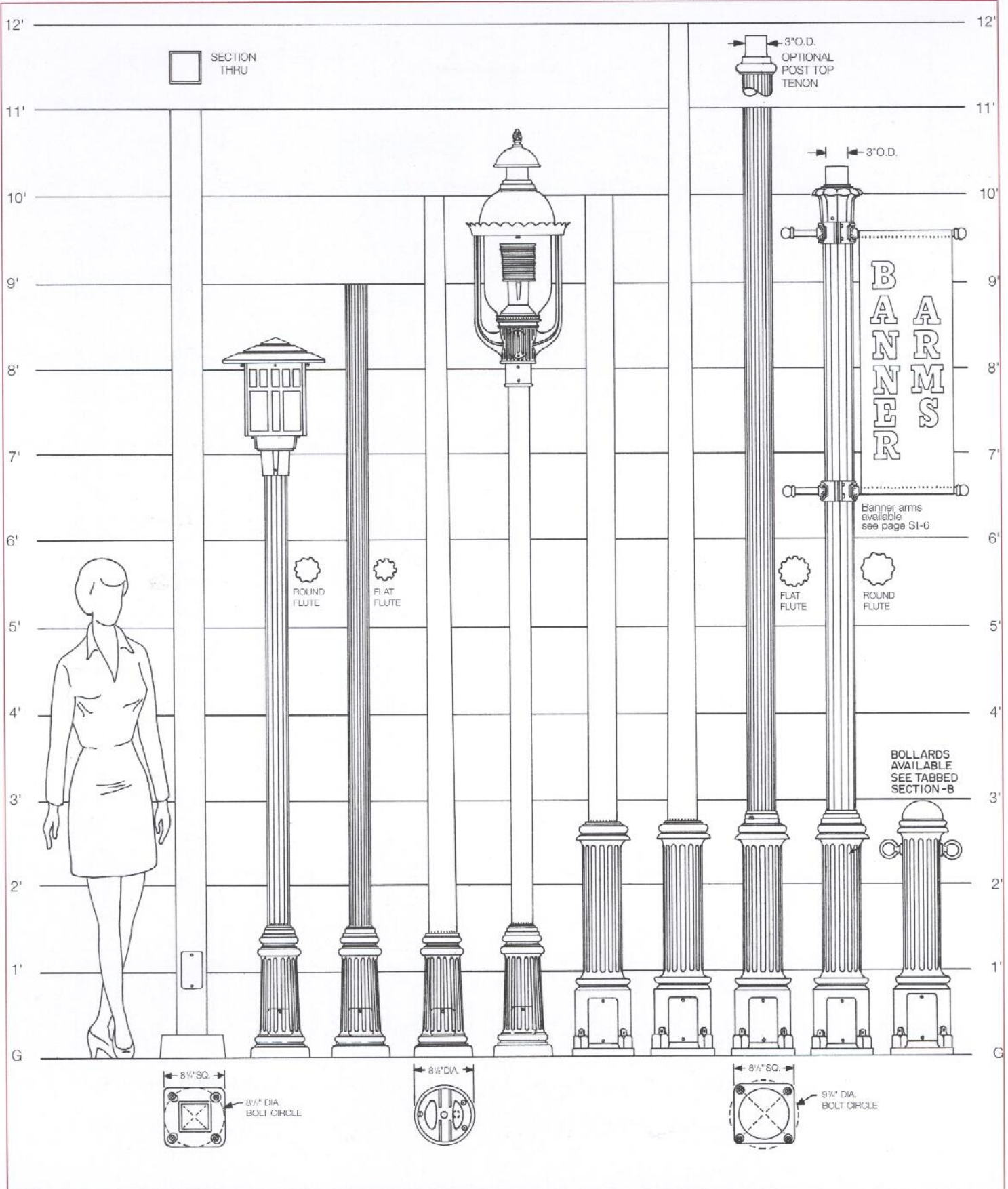
Full size template and anchor bolts supplied with anchor base posts. See page P-16 for details.



| Model no. | 350 | 358 | 353 | 340 | 360 | 370 | 760 | 761 | 361 | 371 | 391 |
|--------------|--------------|--------------|--------------|--------------|--------------|------------------------|--------------|--------------|----------------|------------------------|--------------|
| heights | 8' thru 14' | 8' thru 14' | 8' thru 14' | 8' thru 14' | 8' thru 14' | 8' thru 14' | 8' thru 14' | 8' thru 14' | 8'-10'-12'-14' | 8'-10'-12'-14' | 8'-10'-12' |
| shaft mat'l. | smooth alum. | square alum. | fluted alum. | fluted alum. | smooth alum. | tapered alum. | fluted alum. | fluted alum. | smooth alum. | tapered alum. | smooth alum. |
| thickness | .125" | .125" | .125" | .125" | .125" | .125" | .125" | .125" | .125" | .125" | .125" |
| diameter | 3"o.d. | 4"sq. | 3"o.d. | 3"o.d. | 4"o.d. | 3" o.d. top-4"o.d.bot. | 4"o.d. | 4"o.d. | 4"o.d. | 3"o.d. top-4"o.d. bot. | 3"o.d. |
| base ht. | | | | | | | | | 4 7/8" | 4 7/8" | 4 7/8" |
| base width | | | | | | | | | 11 1/2" dia. | 11 1/2" dia. | 11 1/4" dia. |
| base detail | P-16 A-B-C | P-16 A-B-C | P-16 A-B-C | P-16 A-B-C | P-16 A-B-C | P-16 A-B-C | P-16 A-B-C | P-16 A-B-C | P-16 D | P-16 D | P-16 D |

Anchor Base Posts

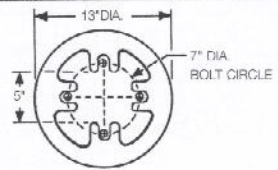
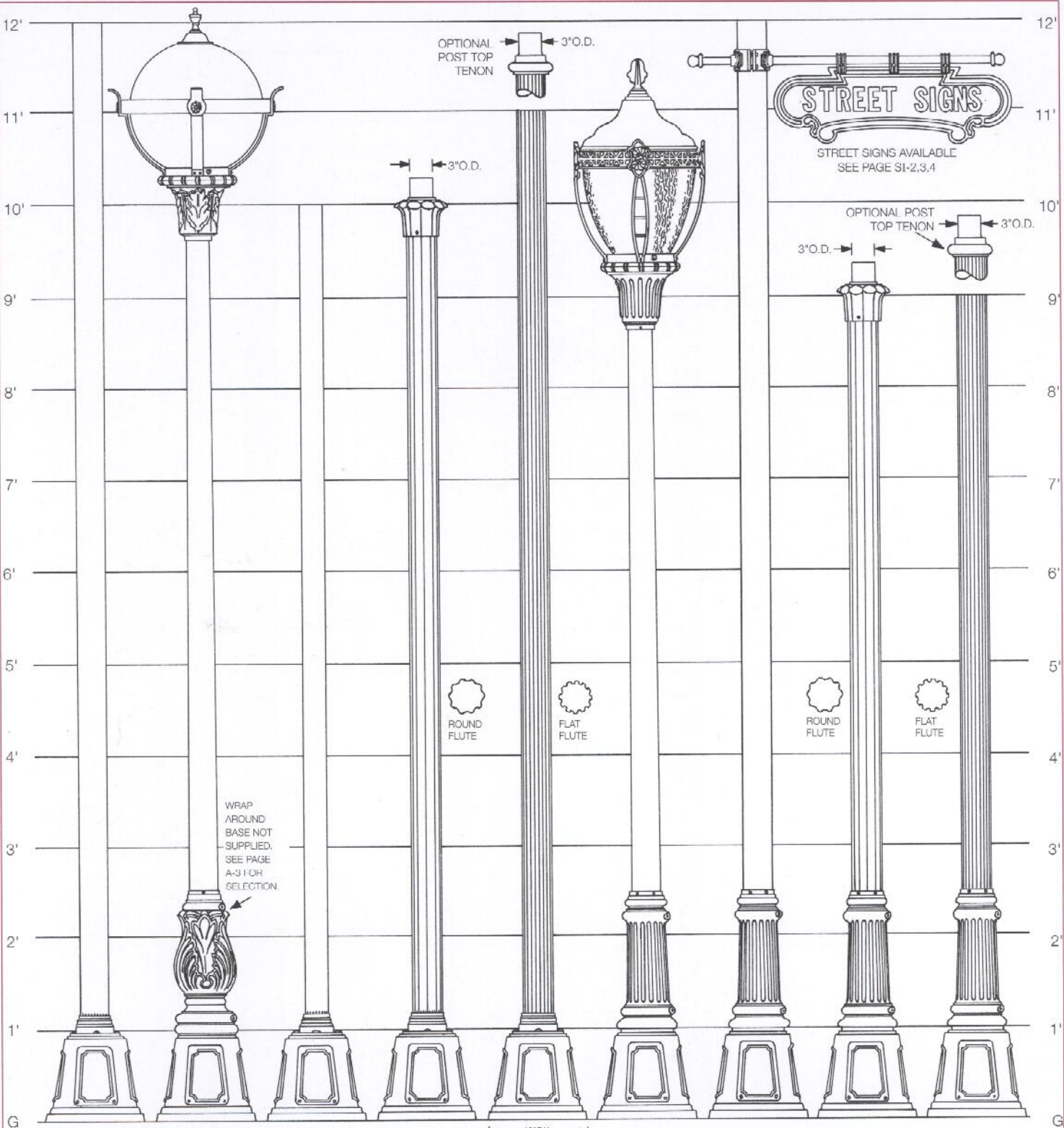
Full size template and anchor bolts supplied with anchor base posts. See page P-16 for details.



| Model no. | 359 | 344 | 342 | 374 | 394 | 312 | 314 | 714 | 713 |
|--------------|----------------|--------------|--------------|-----------------------|--------------|----------------|-----------------------|----------------|----------------|
| heights | 8'-10"-12'-14' | 8'-10' | 8'-10' | 8'-10' | 8'-10' | 8'-10"-12'-14' | 8'-10"-12'-14' | 8'-10"-12'-14' | 8'-10"-12'-14' |
| shaft mat'l. | square alum. | fluted alum. | fluted alum. | tapered alum. | smooth alum. | smooth alum. | tapered alum. | fluted alum. | fluted alum. |
| thickness | .125" | .125" | .125" | .125" | .125" | .125" | .125" | .125" | .125" |
| diameter | 4"sq. | 3"o.d. | 3"o.d. | 3"o.d.top-4"o.d. bot. | 3. o.d. | 4"o.d. | 3"o.d.top-4"o.d. bot. | 4"o.d. | 4"o.d. |
| base ht. | 3 1/2" | 18 1/2" | 18 1/2" | 18 1/2" | 18 1/2" | 32 1/2" | 32 1/2" | 34" | 34" |
| base width | 8 1/2"sq. | 8 1/2"dia. | 8 1/2"dia. | 8 1/2"dia. | 8 1/2"dia. | 8 1/2"sq. | 8 1/2" sq. | 8 1/2" sq. | 8 1/2" sq. |
| base detail | P-16 E | P-16 G | P-16 G | P-16 G | P-16 G | P-16 H | P-16 H | P-16 H | P-16 H |

Anchor Base Posts

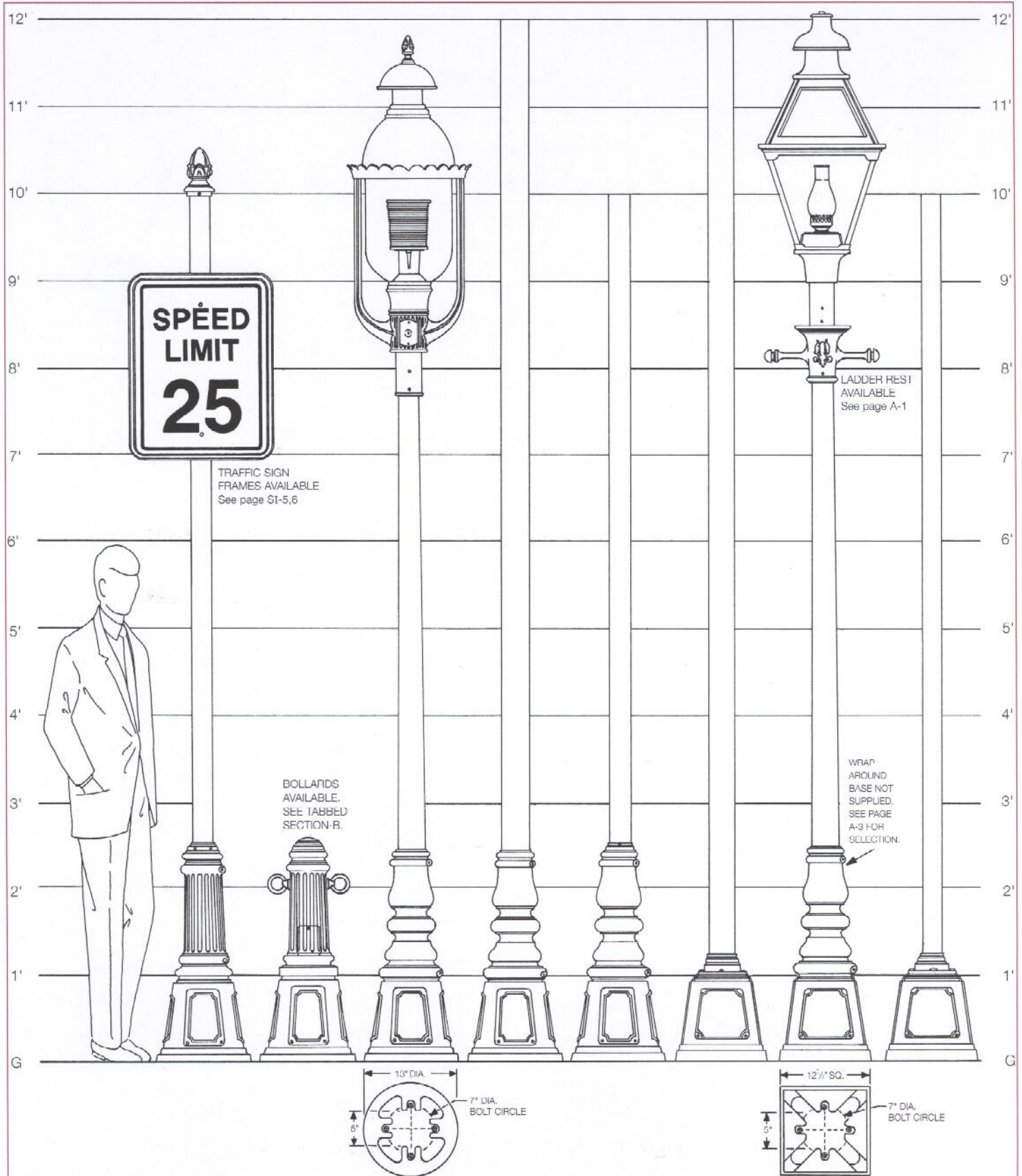
Full size template and anchor bolts supplied with anchor base posts. See page P-17 for details.



| Model no. | 369 | 379 | 399 | 769 | 768 | 329 | 339 | 729 | 730 |
|--------------|--------------|--------------------------|--------------|--------------|--------------|--------------------------|--------------|--------------|--------------|
| heights | 8'-10"-12' | 8'-10"-12' | 8'-10' | 8'-10"-12' | 8'-10"-12' | 8'-10"-12' | 8'-10"-12' | 8'-10"-12' | 8'-10"-12' |
| shaft mat'l. | smooth alum. | tapered alum. | smooth alum. | fluted alum. | fluted alum. | tapered alum. | smooth alum. | fluted alum. | fluted alum. |
| thickness | .125" | .125" | .125" | .125" | .125" | .125" | .125" | .125" | .125" |
| diameter | 4" o.d. | 3" o.d. top-4" o.d. bot. | 3" o.d. | 4" o.d. | 4" o.d. | 3" o.d. top-4" o.d. bot. | 4" o.d. | 4" o.d. | 4" o.d. |
| base ht. | 11 1/4" | 11 1/4" | 11 1/4" | 11 1/4" | 11 1/4" | 28 7/8" | 28 7/8" | 28 7/8" | 28 7/8" |
| base width | 13" dia. | 13" dia. | 13" dia. | 13" dia. | 13" dia. | 13" dia. | 13" dia. | 13" dia. | 13" dia. |
| base detail | P-17 I | P-17 I | P-17 I | P-17 I | P-17 I | P-17 I | P-17 I | P-17 I | P-17 I |

Anchor Base Posts

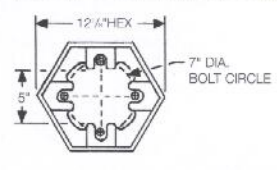
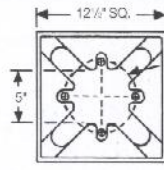
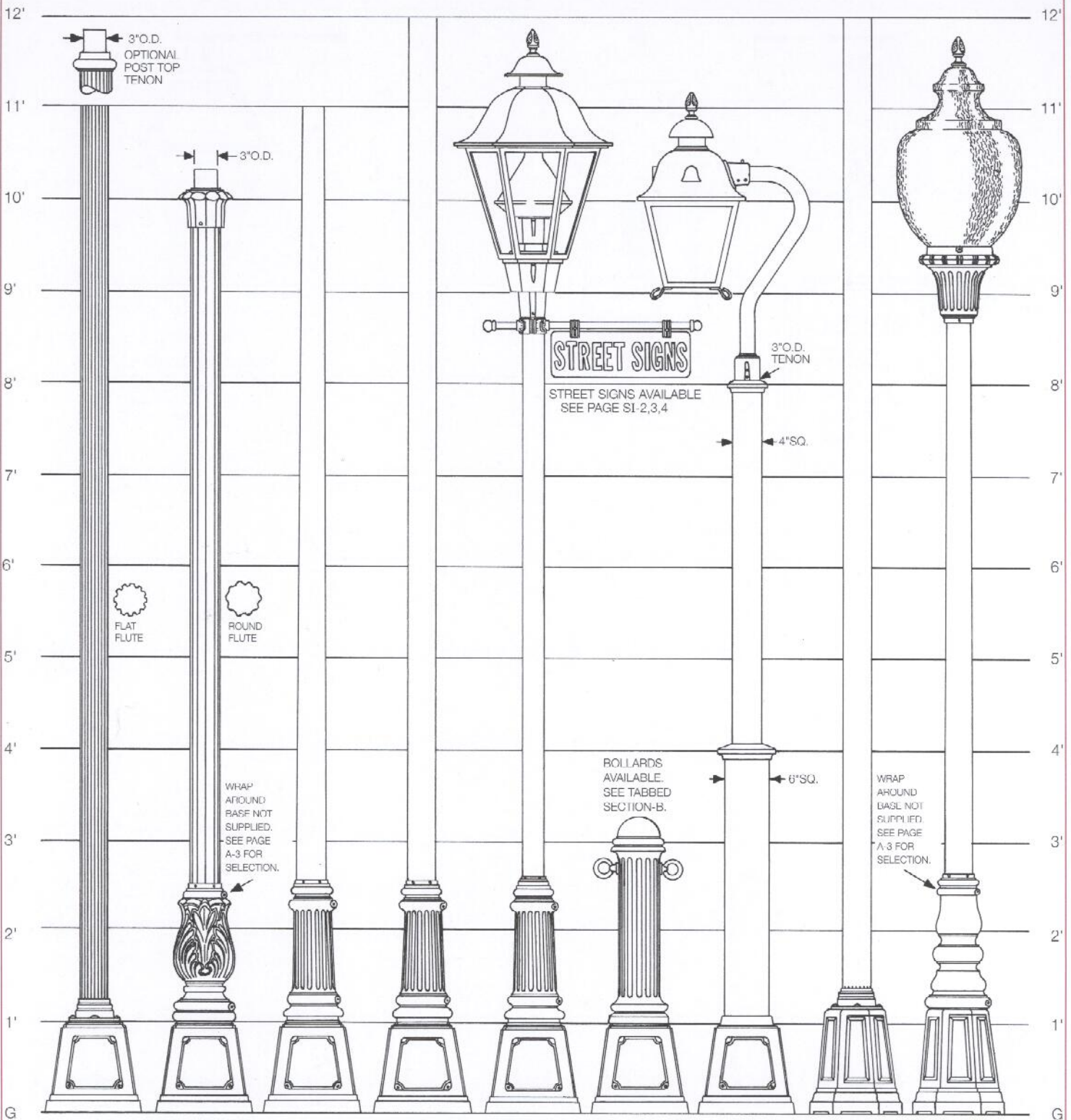
Full size template and anchor bolts supplied with anchor base posts. See page P-17 for details.



| Model no. | 389 | 378 | 368 | 388 | 367 | 377 | 397 |
|--------------|--------------|--------------------------|--------------|--------------|--------------|--------------------------|--------------|
| heights | 8'-10' | 8'-10'-12' | 8'-10'-12' | 8'-10' | 8'-10'-12' | 8'-10'-12' | 8'-10' |
| shaft mat'l. | smooth alum. | tapered alum. | smooth alum. | smooth alum. | smooth alum. | tapered alum. | smooth alum. |
| thickness | .125" | .125" | .125" | .125" | .125" | .125" | .125" |
| diameter | 3" o.d. | 3" o.d. top-4" o.d. bot. | 4" o.d. | 3" o.d. | 4" o.d. | 3" o.d. top-4" o.d. bot. | 3" o.d. |
| base ht. | 29 1/4" | 29" | 29" | 29 3/4" | 11 1/2" | 11 1/2" | 11 1/2" |
| base width | 13" dia. | 13" dia. | 13" dia. | 13" dia. | 11 1/2" sq. | 11 1/2" sq. | 11 1/2" sq. |
| base detail | P-17 I | P-17 I | P-17 I | P-17 I | P-17 J | P-17 J | P-17 J |

Anchor Base Posts

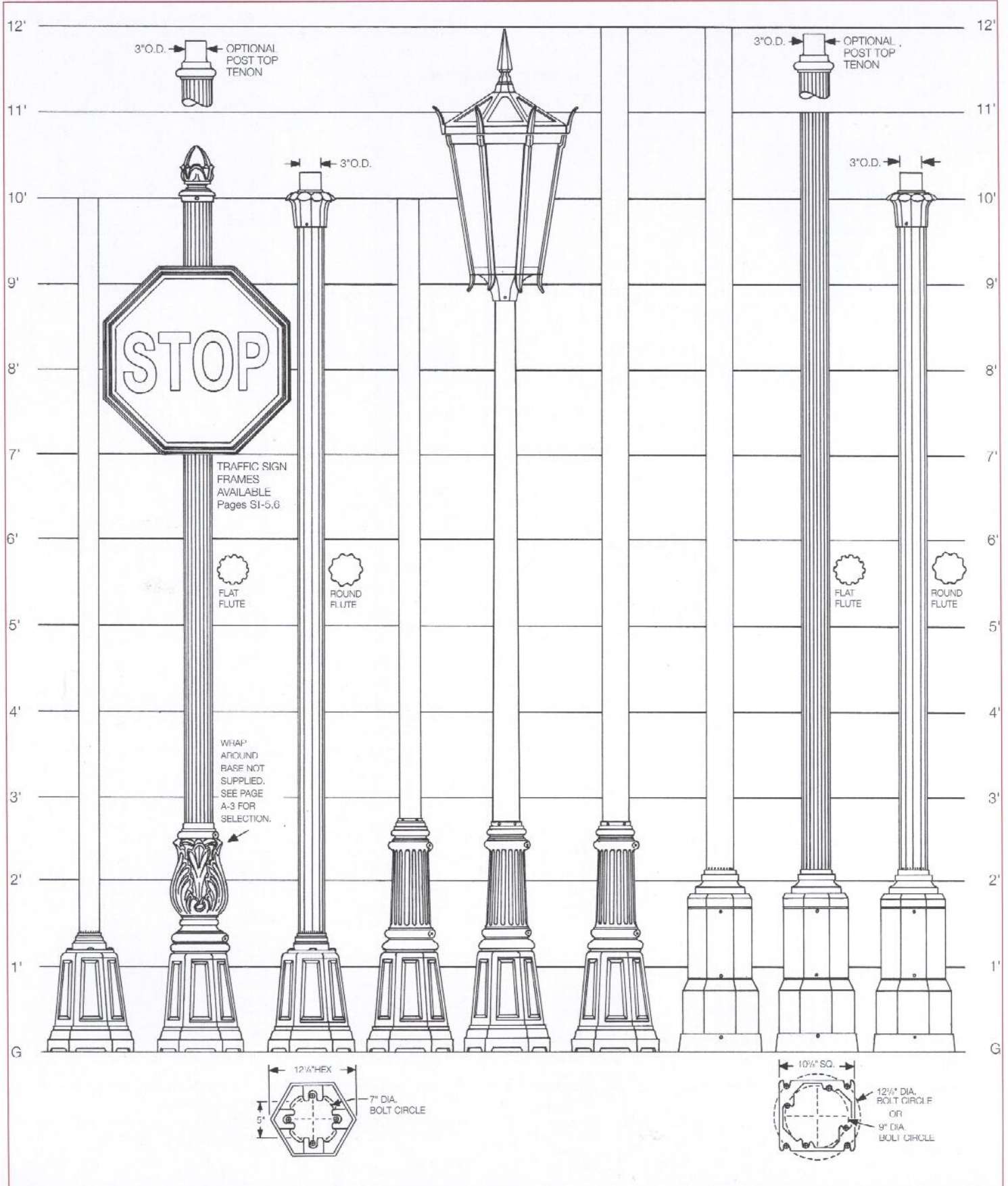
Full size template and anchor bolts supplied with anchor base posts. See page P-17 for details.



| Model no. | 766 | 767 | 327 | 337 | 387 | 402 | 365 | 375 |
|--------------|--------------|--------------|----------------------|--------------|--------------|---------------------|--------------|----------------------|
| heights | 8'-10'-12' | 8'-10'-12' | 8'-10'-12' | 8'-10'-12' | 8'-10' | 8'-10'-12'-14' | 8'-10'-12' | 8'-10'-12' |
| shaft mat'l. | fluted alum. | fluted alum. | tapered alum. | smooth alum. | smooth alum. | square alum. | smooth alum. | tapered alum. |
| thickness | .125" | .125" | .125" | .125" | .125" | .125" | .125" | .125" |
| diameter | 4"o.d. | 4"o.d. | 3"o.d.top-4"o.d.bot. | 4"o.d. | 3"o.d. | 4"sq. top-6"sq bot. | 4"o.d. | 3"o.d.top-4"o.d.bot. |
| base ht. | 11 1/2" | 11 1/2" | 29" | 29" | 29" | 12 1/2" | 13 1/2" | 13 1/2" |
| base width | 12 1/2"sq. | 12 1/2"sq. | 12 1/2"sq. | 12 1/2"sq. | 12 1/2"sq. | 12 1/2"sq. | 12 1/2"hex. | 12 1/2"hex. |
| base detail | P-17 J | P-17 J | P-17 J | P-17 J | P-17 J | P-17 J | P-17 K | P-17 K |

Anchor Base Posts

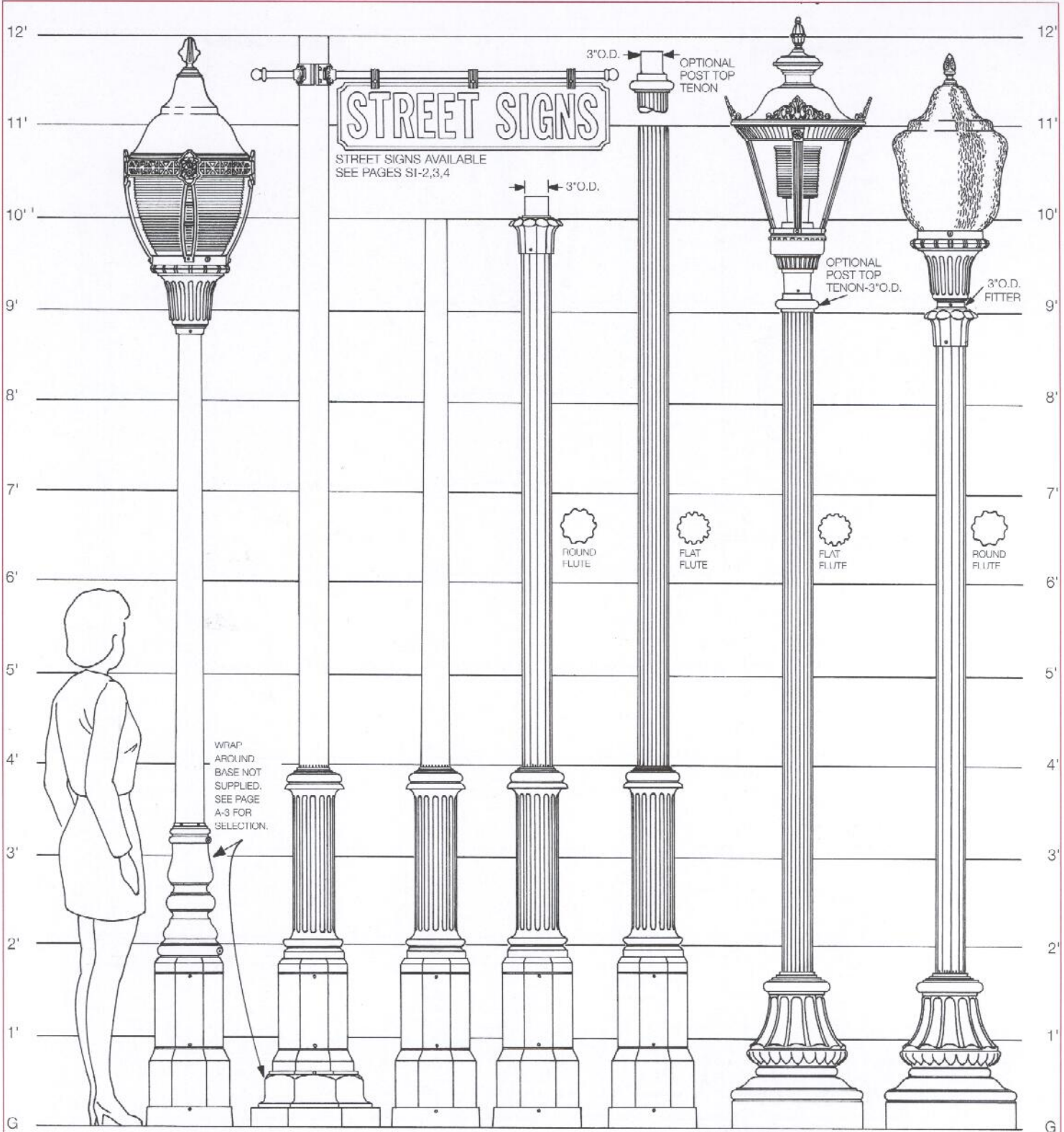
Full size template and anchor bolts supplied with anchor base posts. See page P-17 for details.



| Model no. | 395 | 764 | 765 | 385 | 325 | 335 | 319 | 755 | 320 |
|--------------|--------------|--------------|--------------|--------------|------------------------|--------------|----------------|----------------|----------------|
| heights | 8'-10' | 8'-10'-12' | 8'-10'-12' | 8'-10' | 8'-10'-12' | 8'-10'-12' | 8'-10'-12'-14' | 8'-10'-12'-14' | 8'-10'-12'-14' |
| shaft mat'l. | smooth alum. | fluted alum. | fluted alum. | smooth alum. | tapered alum. | smooth alum. | smooth alum. | fluted alum. | fluted alum. |
| thickness | .125" | .125" | .125" | .125" | .125" | .125" | .125" | .125" | .125" |
| diameter | 3"o.d. | 4"o.d. | 4"o.d. | 3"o.d. | 3"o.d. top-4"o.d. bot. | 4"o.d. | 4"o.d. | 4"o.d. | 4"o.d. |
| base ht. | 13 7/8" | 13 7/8" | 13 7/8" | 31 1/4" | 30 3/4" | 30 3/4" | 25 1/2" | 25 1/2" | 25 1/2" |
| base width | 12 1/4" hex. | 12 1/4" hex. | 12 1/4" hex. | 12 1/4" hex. | 12 1/4" hex. | 12 1/4" hex. | 10 5/8" sq. | 10 5/8" sq. | 10 5/8" sq. |
| base detail | P-17 K | P-17 K | P-17 K | P-17 K | P-17 K | P-17 K | P-17 L | P-17 L | P-17 L |

Anchor Base Posts

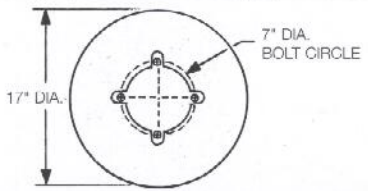
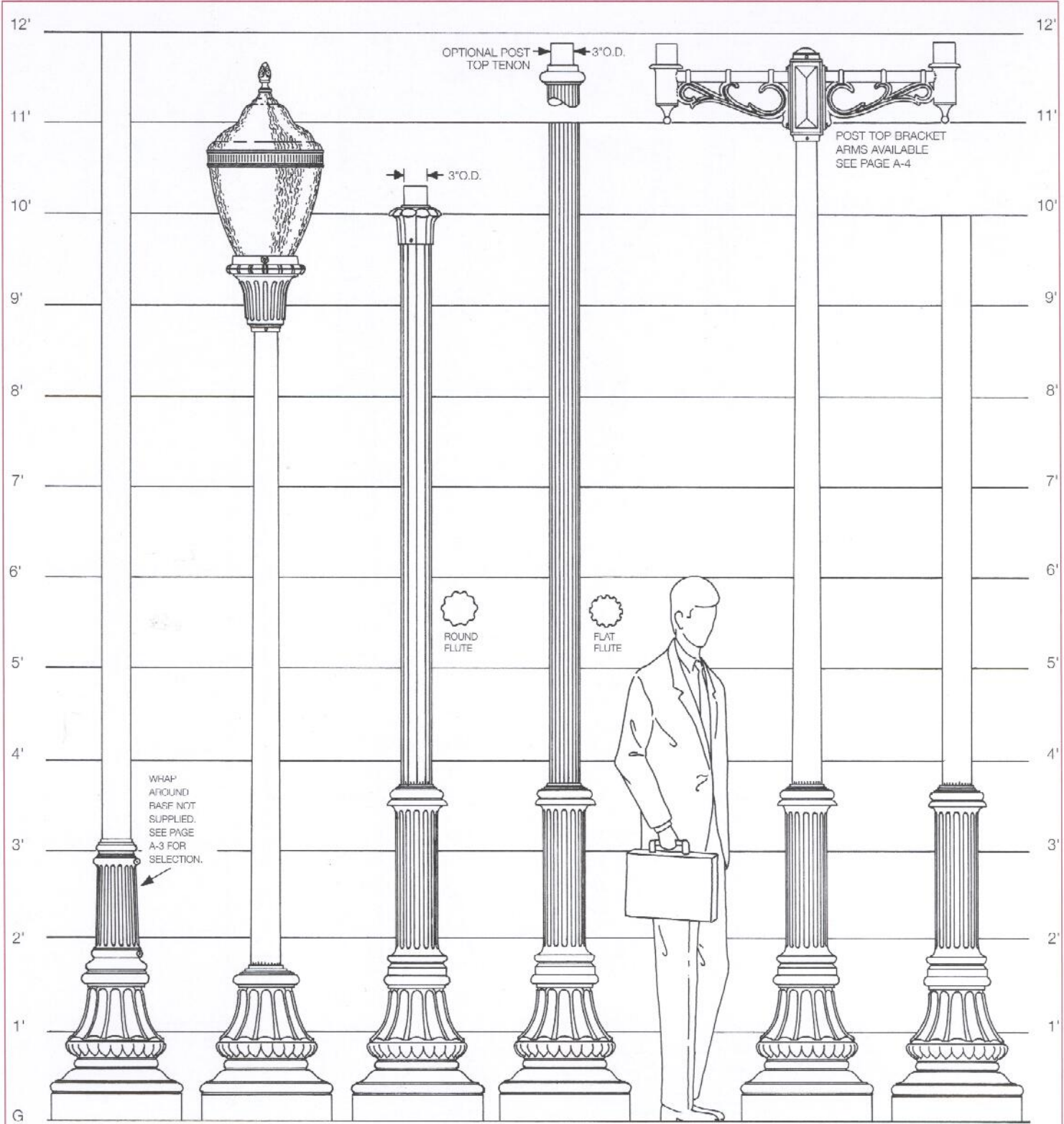
Full size template and anchor bolts supplied with anchor base posts. See page P-17 for details.



| Model no. | 321 | 317 | 316 | 318 | 758 | 751 | 306 |
|--------------|--------------------------|----------------|--------------------------|----------------|----------------|--------------------|--------------------|
| heights | 8'-10'-12'-14' | 8'-10'-12'-14' | 8'-10'-12'-14' | 8'-10'-12'-14' | 8'-10'-12'-14' | 8'-10'-12'-14'-16' | 8'-10'-12'-14'-16' |
| shaft mat'l. | tapered alum. | smooth alum. | tapered alum. | fluted alum. | fluted alum. | fluted alum. | fluted alum. |
| thickness | .125" | .125" | .125" | .125" | .125" | .125" | .125" |
| diameter | 3" o.d. top-4" o.d. bot. | 4" o.d. | 3" o.d. top-4" o.d. bot. | 4" o.d. | 4" o.d. | 4" o.d. | 4" o.d. |
| base ht. | 25 1/2" | 46" | 46" | 46" | 46" | 21 1/2" | 21 1/2" |
| base width | 10 1/2" sq. | 10 1/2" sq. | 10 1/2" sq. | 10 1/2" sq. | 10 1/2" sq. | 17" dia. | 17" dia. |
| base detail | P-17 L | P-17 L | P-17 L | P-17 L | P-17 L | P-17 M | P-17 M |

Anchor Base Posts

Full size template and anchor bolts supplied with anchor base posts. See pages P-17 for details.

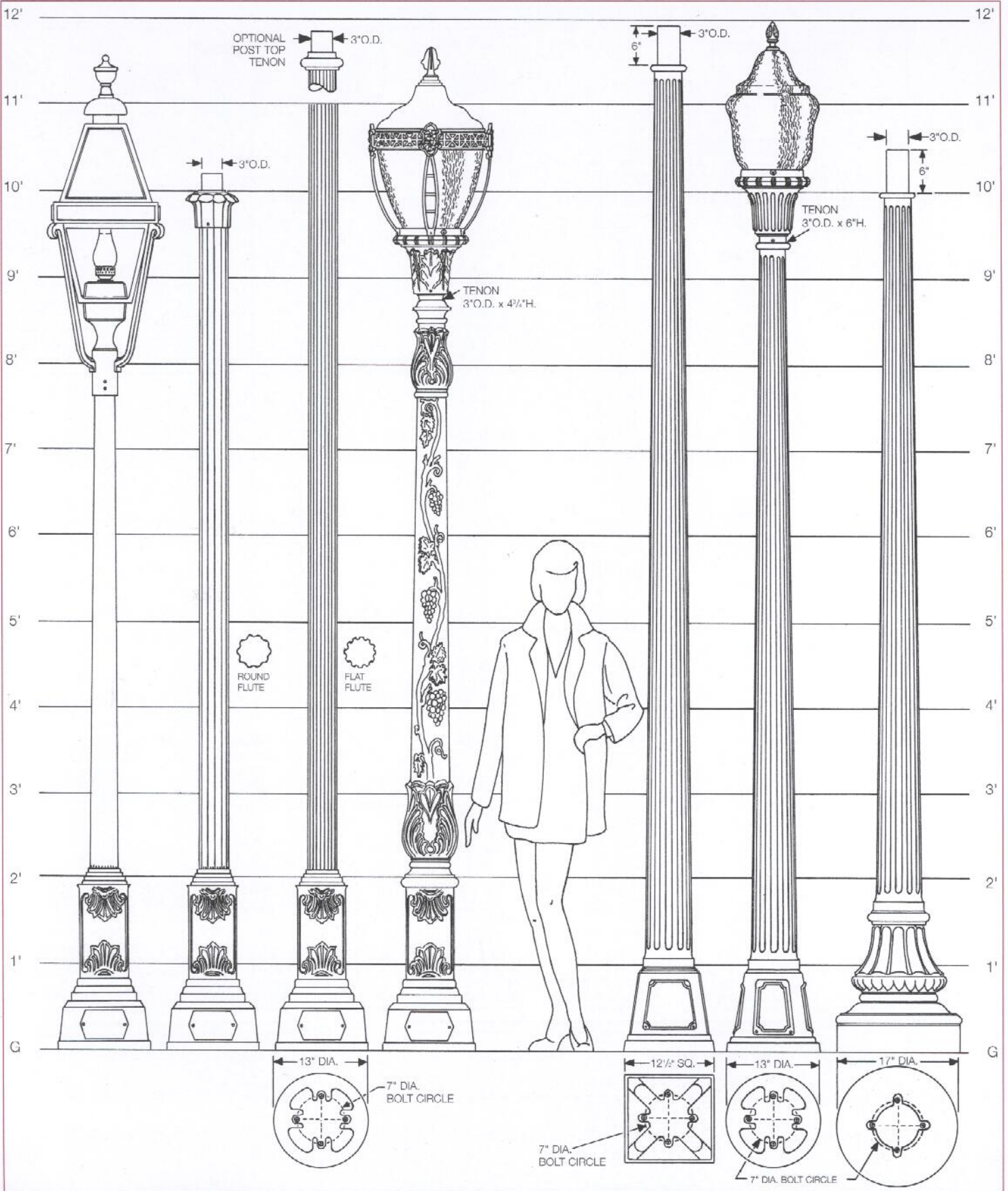


| Model no. | 307 | 308 | 303 | 754 | 311 | 304 |
|--------------|--------------------|----------------------|--------------------|--------------------|----------------------|--------------------|
| heights | 8'-10'-12'-14'-16' | 8'-10'-12'-14'-16' | 8'-10'-12'-14'-16' | 8'-10'-12'-14'-16' | 8'-10'-12'-14'-16' | 8'-10'-12'-14'-16' |
| shaft mat'l. | smooth alum. | tapered alum. | fluted alum. | fluted alum. | tapered alum. | smooth alum. |
| thickness | .125" | .125" | .125" | .125" | .125" | .125" |
| diameter | 4"o.d. | 3"o.d.top-4"o.d.bot. | 4"o.d. | 4"o.d. | 3"o.d.top-4"o.d.bot. | 4"o.d. |
| base ht. | 21 1/2" | 21 1/2" | 43 1/2" | 43 1/2" | 43 1/2" | 43 1/2" |
| base width | 17" dia. | 17" dia. | 17" dia. | 17" dia. | 17" dia. | 17" dia. |
| base detail | P-17 M | P-17 M | P-17 M | P-17 M | P-17 M | P-17 M |

Anchor Base Posts

Full size template and anchor bolts supplied with anchor base posts. See pages P-16 and P-17 for details.

All Cast Aluminum Anchor Base Posts

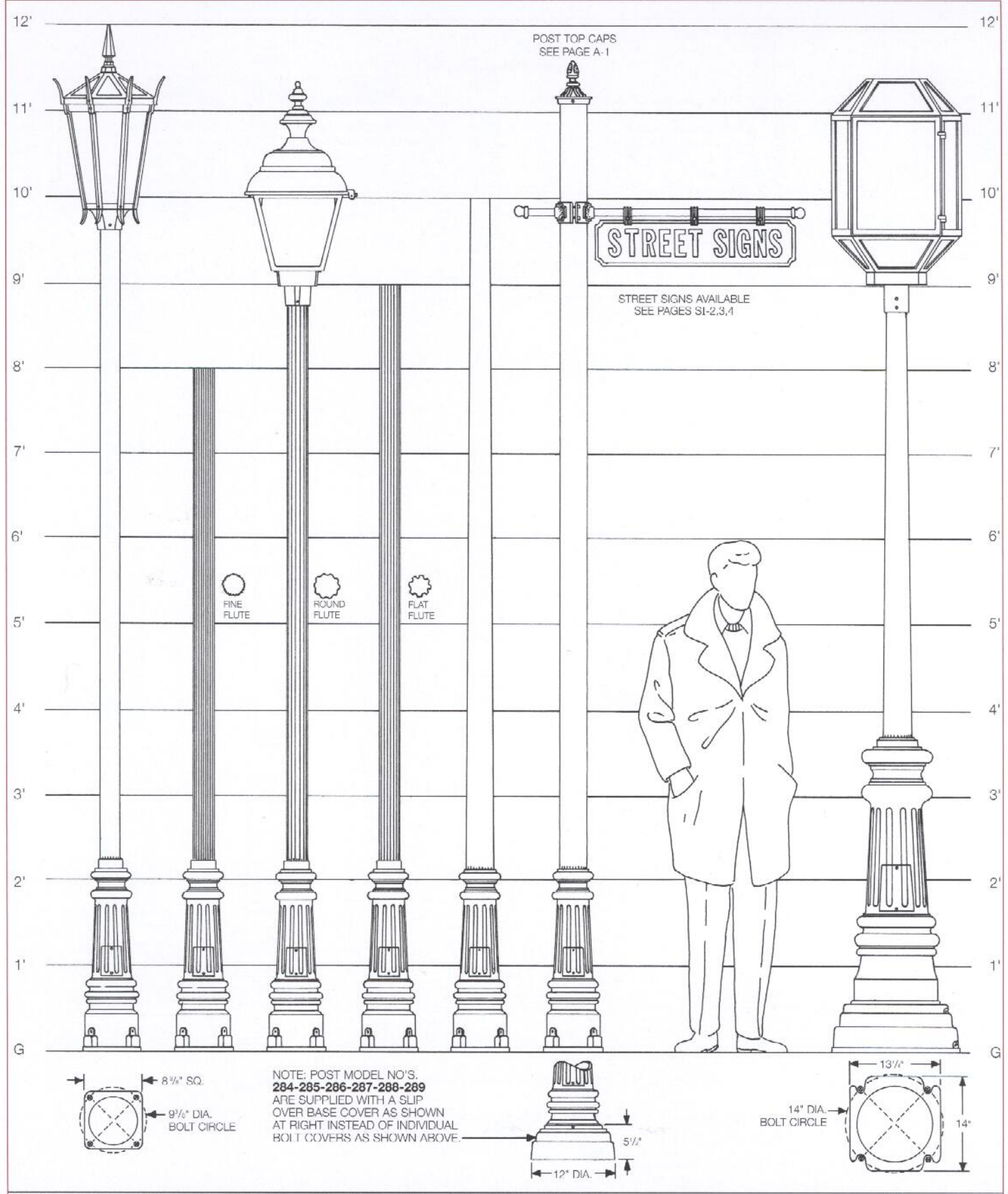


| Model no. | 301 | 300 | 309 | 302 | 400 | 401 | 305 |
|--------------|----------------------------------|----------------------------------|----------------------------------|--------------|--------------------------------------|-----------------------------------|--------------|
| heights | 8'-10'-12' | 8'-10'-12' | 8'-10'-12' | 9' Only | 9 ⁰⁰ -11 ⁰⁰ | 9 ⁰⁰ -11 ⁰⁰ | 10'-12' |
| shaft mat'l. | tapered alum. | fluted alum. | fluted alum. | cast alum. | cast alum. | cast alum. | cast alum. |
| thickness | .125" | .125" | .125" | .250± | .250± | .250± | .250± |
| diameter | 3'o.d.top-4'o.d.bot. | 4'o.d. | 4'o.d. | 3'o.d. tenon | 3'o.d. tenon | 3'o.d. tenon | 3'o.d. tenon |
| base ht. | 22 ¹ / ₄ " | 22 ¹ / ₄ " | 22 ¹ / ₄ " | -- | -- | -- | -- |
| base width | 13" dia. | 13" dia. | 13" dia. | 13" dia. | 12 ¹ / ₂ " sq. | 13" dia. | 17" dia. |
| base detail | P-16 F | P-16 F | P-16 F | P-16 F | P-17 P | P-17 O | P-17 M |

Anchor Base Posts

Full size template and anchor bolts supplied with anchor base posts. See pages P-17 and P-18 for details.

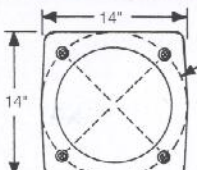
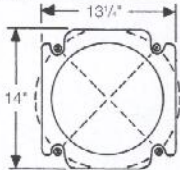
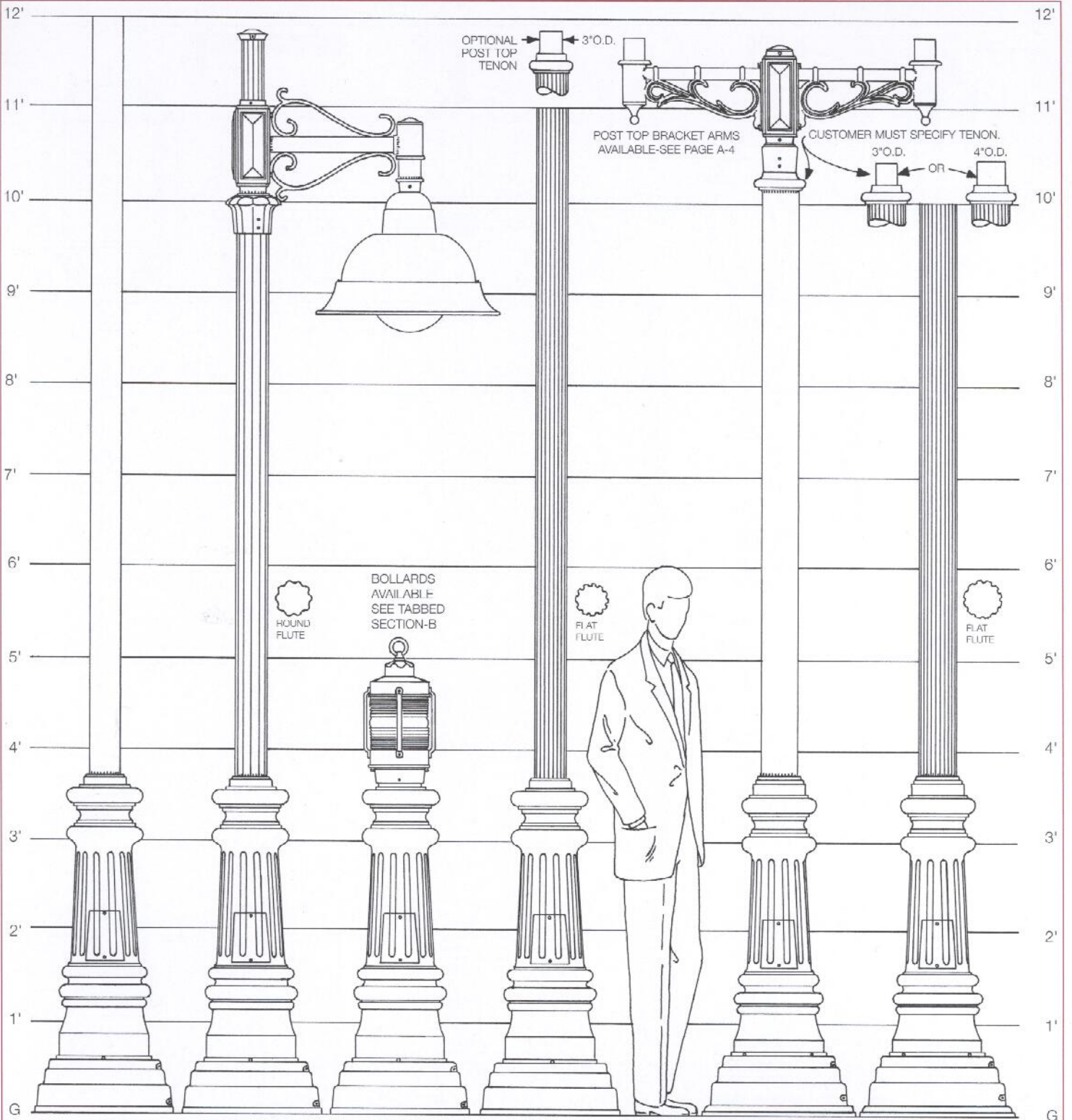
Heavy Duty Anchor Base Posts



| Model no. | 771 OR 285 | 772 OR 286 | 773 OR 287 | 770 OR 284 | 774 OR 288 | 775 OR 289 | 297 |
|--------------|--------------|--------------|--------------|--------------|----------------------|--------------|----------------------|
| heights | 5' thru 12' | 5' thru 8' | 5' thru 12' | 5' thru 12' | 6' thru 12' | 5' thru 12' | 8'-10'-12'-14' |
| shaft mat'l. | smooth alum. | fluted alum. | fluted alum. | fluted alum. | tapered alum. | smooth alum. | tapered alum. |
| thickness | .125" | .070" | .125" | .125" | .125" | .125" | .125" |
| diameter | 3"o.d. | 3"o.d. | 3"o.d. | 3"o.d. | 3"o.d.top 4"o.d.bot. | 4"o.d. | 3"o.d.top-4"o.d.bot. |
| base ht. | 27" | 27" | 27" | 27" | 25 1/2" | 25 1/2" | 44" |
| base width | 8 1/2" sq. | 8 1/2" sq. | 8 1/2" sq. | 8 1/2" sq. | 8 1/2" sq. | 8 1/2" sq. | 18 1/2" dia. |
| base detail | P-18 Q | P-18 Q | P-18 Q | P-18 Q | P-18 Q | P-18 Q | P 17 N |

Heavy Duty Anchor Base Posts

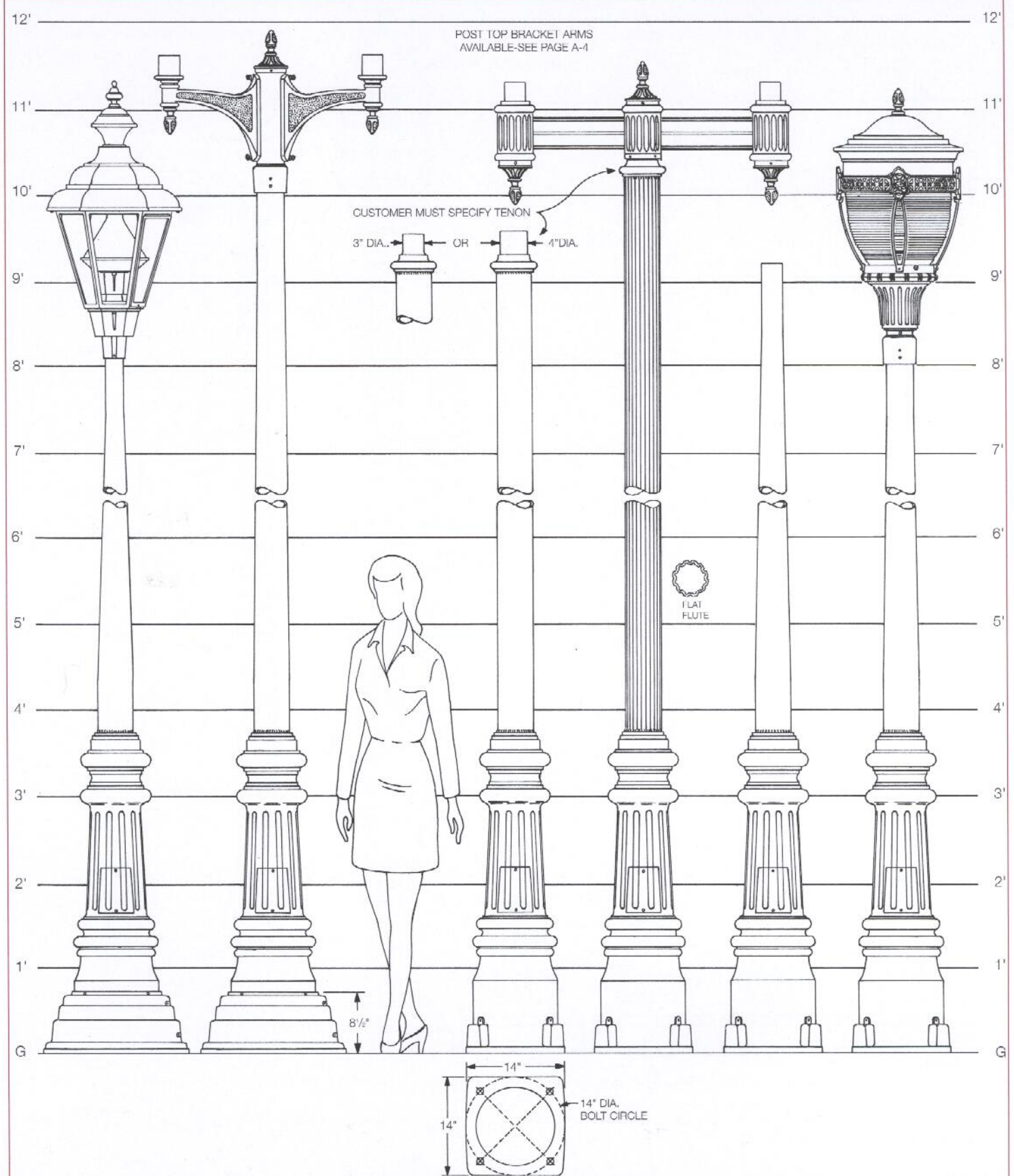
Full size template and anchor bolts supplied with anchor base posts. See pages P-17, P-18 for details.



| Model no. | 295 | 296 | 294 | 290 | 291 |
|--------------|----------------|----------------|----------------|-----------------|-----------------|
| heights | 8'-10"-12'-14' | 8'-10"-12'-14' | 8'-10"-12'-14' | 12'-14'-16'-18' | 12'-14'-16'-18' |
| shaft mat'l. | smooth alum. | fluted alum. | fluted alum. | smooth alum. | fluted alum. |
| thickness | .125" | .125" | .188" | .250" | .250" |
| diameter | 4"o.d. | 4"o.d. | 4"o.d. | 5"o.d. | 5"o.d. |
| base ht. | 44" | 44" | 44" | 45 1/8" | 45 1/8" |
| base width | 18 7/8" dia. | 18 7/8" dia. | 18 7/8" dia. | 20 1/2" dia. | 20 1/2" dia. |
| base detail | P-17 N | P-17 N | P-17 N | P-17 R | P-17 R |

Heavy Duty Anchor Base Posts

Full size template and anchor bolts supplied with anchor base posts. See pages P-18 for details.

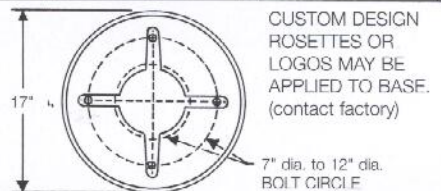
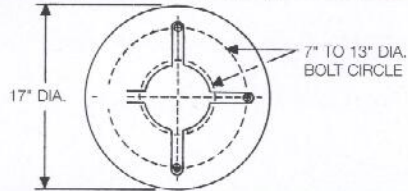
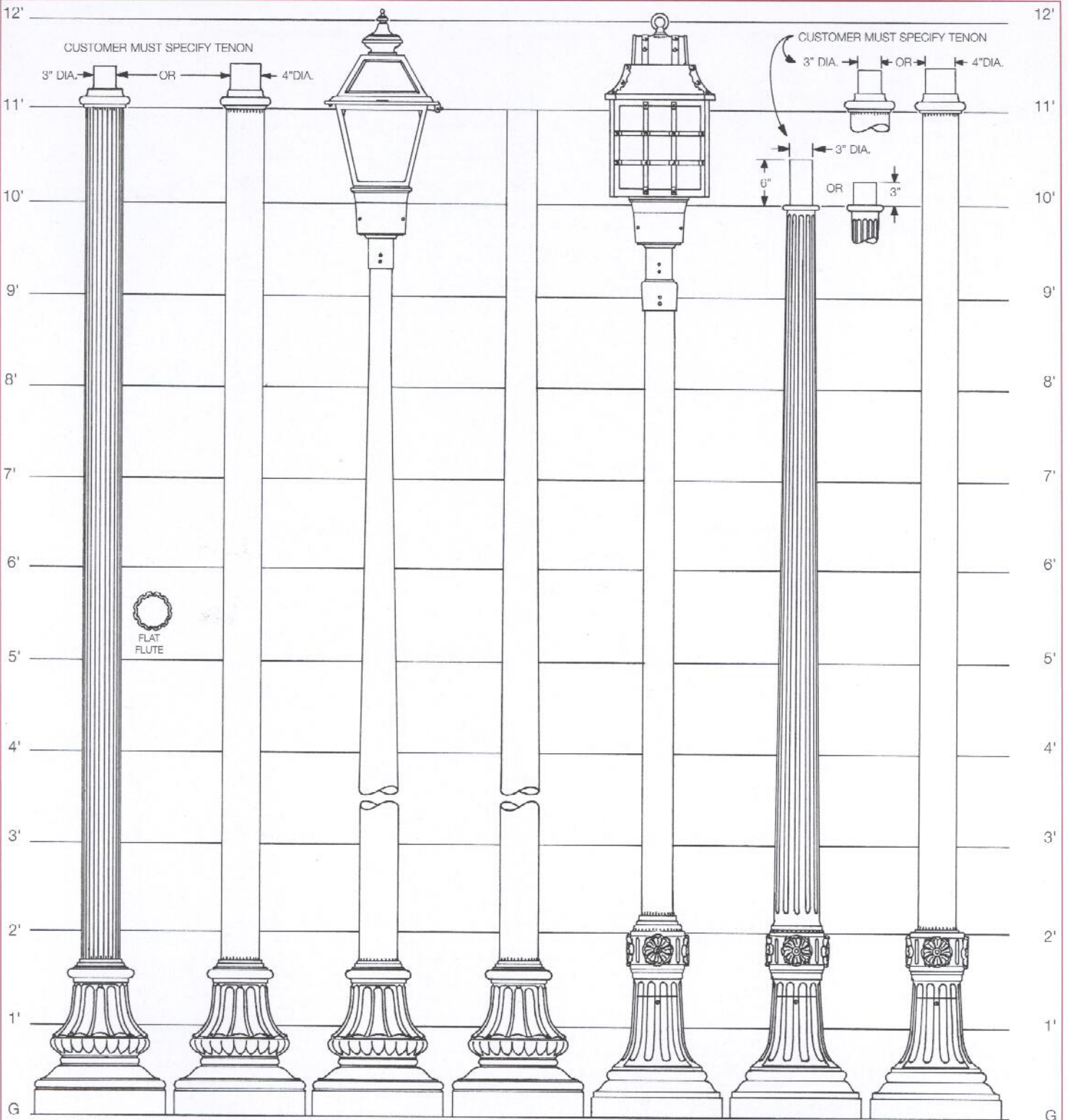


| Model no. | 292 | 293 | 776 | 777 | 778 | 779 |
|--------------|---------------------------------------|---------------------------------------|-----------------------------------|-----------------------------------|-----------------------------------|-----------------------------------|
| heights | 12'-14'-16' | 12'-14'-16' | 12'-14'-16'-18' | 12'-14'-16'-18' | 12'-14'-16' | 12'-14'-16' |
| shaft mat'l. | tapered alum. | tapered alum. | smooth alum. | fluted alum. | tapered alum. | tapered alum. |
| thickness | .188" | .188" | .250" | .250" | .188" | .188" |
| diameter | 3" o.d. top-5" o.d. bot. | 4" o.d. top-5" o.d. bot. | 5" o.d. | 5" o.d. | 3" o.d. top-5" o.d. bot. | 4" o.d. top-5" o.d. bot. |
| base ht. | 45 ⁷ / ₁₆ " | 45 ⁷ / ₁₆ " | 45 ⁷ / ₁₆ " | 45 ⁷ / ₁₆ " | 45 ⁷ / ₁₆ " | 45 ⁷ / ₁₆ " |
| base width | 20 ³ / ₈ " dia. | 20 ³ / ₈ " dia. | 14" sq. | 14" sq. | 14" sq. | 14" sq. |
| base detail | P-18 R | P-18 R | P-18 R | P-18 R | P-18 R | P-18 R |

Heavy Duty Anchor Base Posts

NOTE: 780 and 790 series posts will be available mid summer 2004.

Full size template and anchor bolts supplied with anchor base posts. See pages P-18 for details.

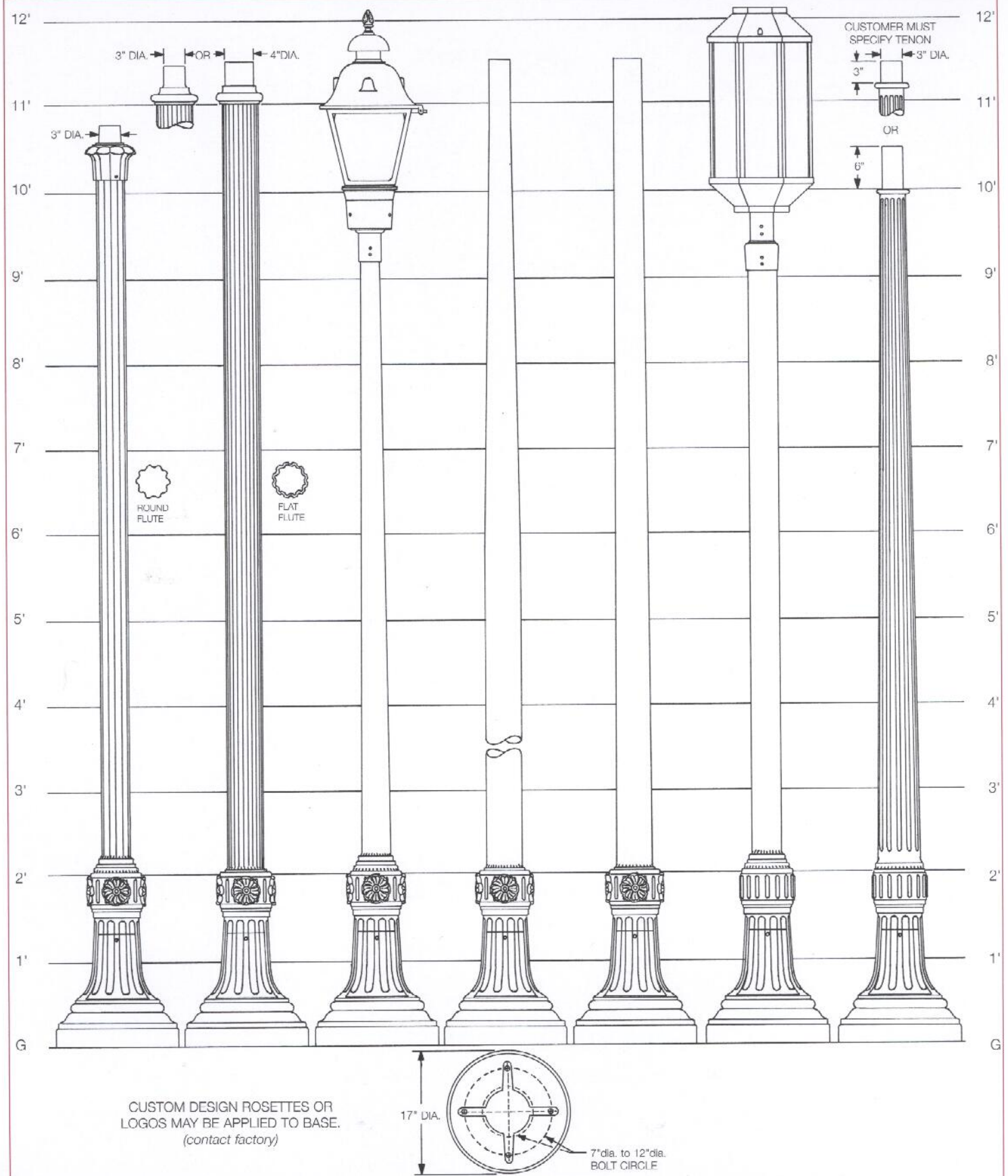


| Model no. | 345 | 346 | 347 | 348 | 780 | 781 | 782 |
|--------------|---------------------|-----------------|----------------------|----------------------|--------------------|------------|----------------------------------|
| heights | 10'-12'-14'-16'-18' | 12'-14'-16'-18' | 11'-13'-15'-17' | 11'-13'-15'-17' | 8'-10'-12'-14'-16' | 10'-12' | 12'-14'-16'-18' |
| shaft mat'l. | fluted alum. | smooth alum. | tapered alum. | tapered alum. | smooth alum. | cast alum. | smooth alum. |
| thickness | .250" | .250" | .188" | .188" | .125" | .250"± | .250" |
| diameter | 5"o.d. | 5"o.d. | 3"o.d.top-5"o.d.bot. | 4"o.d.top-5"o.d.bot. | 4"o.d. | -- | 5"o.d. |
| base ht. | 20" | 20" | 20" | 20" | 26" | 24" | 24 ³ / ₈ " |
| base width | 17"dia. | 17"dia. | 17"dia. | 17" dia. | 17" dia. | 17" dia. | 17" dia. |
| base detail | P-18 S | P-18 S | P-18 S | P-18 S | P-18 T | P-18 T | P-18 T |

NOTE: 780 and 790 series posts will be available mid summer 2004.

Full size template and anchor bolts supplied with anchor base posts. See pages P-18 for details.

Heavy Duty Anchor Base Posts

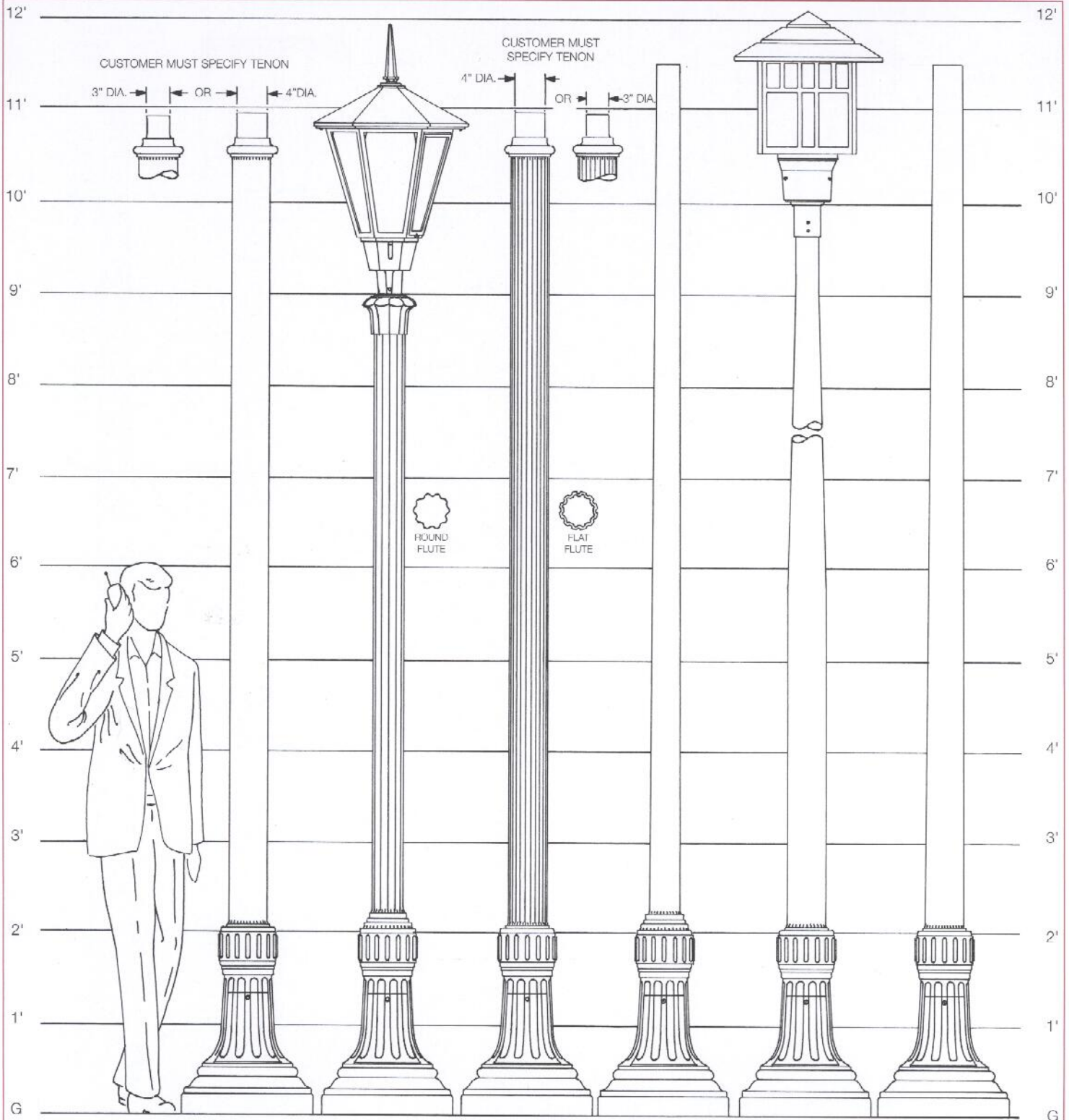


| Model no. | 783 | 784 | 785 | 786 | 787 | 790 | 791 |
|--------------|------------------------|-----------------|----------------------|----------------------|----------------------|--------------------|------------|
| heights | 8'-10'-12'-14'-16'-18' | 12'-14'-16'-18' | 8'-10'-12'-14'-16' | 12'-14'-16'-18' | 12'-14'-16'-18' | 8'-10'-12'-14'-16' | 10'-12' |
| shaft mat'l. | fluted alum. | fluted alum. | tapered alum. | tapered alum. | tapered alum. | smooth alum. | cast alum. |
| thickness | .125" | .250" | .125" | .188" | .188" | .125" | .250"± |
| diameter | 4"o.d. | 5"o.d. | 3"o.d.top-4"o.d.bot. | 3"o.d.top-4"o.d.bot. | 4"o.d.top-5"o.d.bot. | 4"o.d. | -- |
| base ht. | 26" | 24 7/8" | 26" | 24 7/8" | 24 7/8" | 26" | 24" |
| base width | 17" dia. | 17" dia. | 17" dia. | 17" dia. | 17" dia. | 17" dia. | 17" dia. |
| base detail | P-18 T | P-18 T | P-18 T | P-18 T | P-18 T | P-18 T | P-18 T |

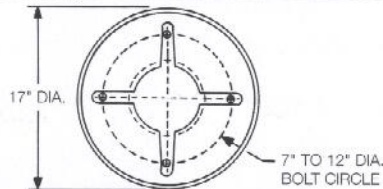
Heavy Duty Anchor Base Posts

NOTE: 780 and 790 series posts will be available mid summer 2004.

Full size template and anchor bolts supplied with anchor base posts. See pages P-18 for details.



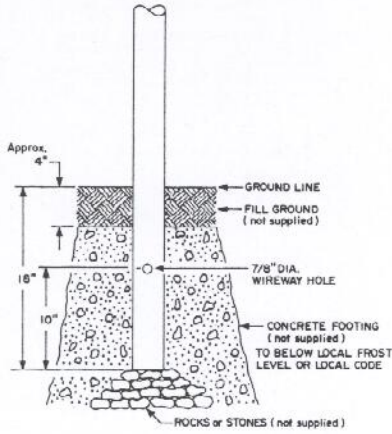
CUSTOM DESIGN ROSETTES OR LOGOS MAY BE APPLIED TO BASE. (contact factory)



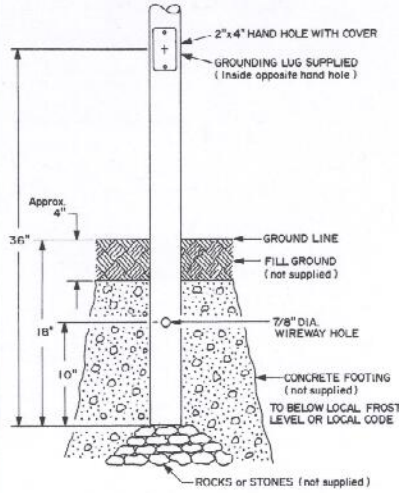
| Model no. | 792 | 793 | 794 | 795 | 796 | 797 |
|--------------|-----------------|------------------------|-----------------|----------------------|----------------------|----------------------|
| heights | 12'-14'-16'-18' | 8'-10'-12'-14'-16'-18' | 12'-14'-16'-18' | 8'-10'-12'-14'-16' | 12'-14'-16'-18' | 12'-14'-16'-18' |
| shaft mat'l. | smooth alum. | fluted alum. | fluted alum. | tapered alum. | tapered alum. | tapered alum. |
| thickness | .250" | .125" | .250" | .125" | .188" | .188" |
| diameter | 5"o.d. | 4"o.d. | 5"o.d. | 3"o.d.top-4"o.d.bot. | 3"o.d.top-5"o.d.bot. | 4"o.d.top-5"o.d.bot. |
| base ht. | 24 3/8" | 26" | 24 3/8" | 26" | 24 3/8" | 24 3/8" |
| base width | 17"dia. | 17"dia. | 17"dia. | 17" dia. | 17" dia. | 17" dia. |
| base detail | P-18 T | P-18 T | P-18 T | P-18 T | P-18 T | P-18 T |

Post and Base Mounting Details

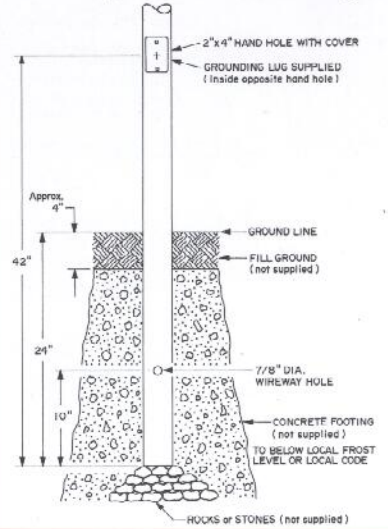
A FOR DIRECT BURIAL POSTS
340-350-353-358-360-370-760-761
For posts up to 9' overall length.



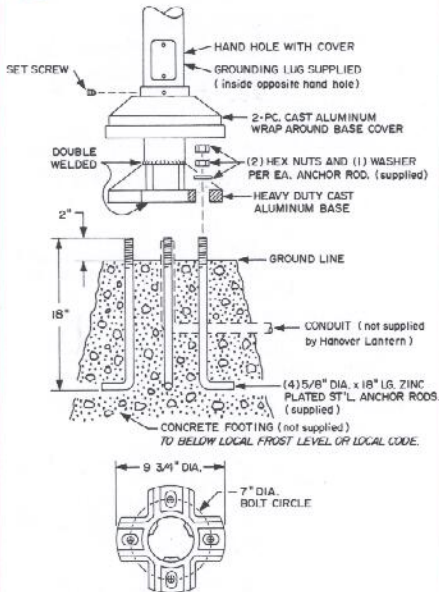
B FOR DIRECT BURIAL POSTS
340-350-353-358-360-370-760-761
For posts 10' and 11' overall length.



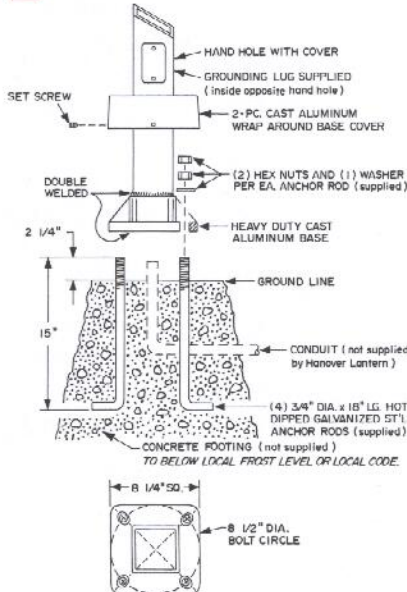
C FOR DIRECT BURIAL POSTS
340-350-353-358-360-370-760-761
For posts 12' thru 14' overall lengths.



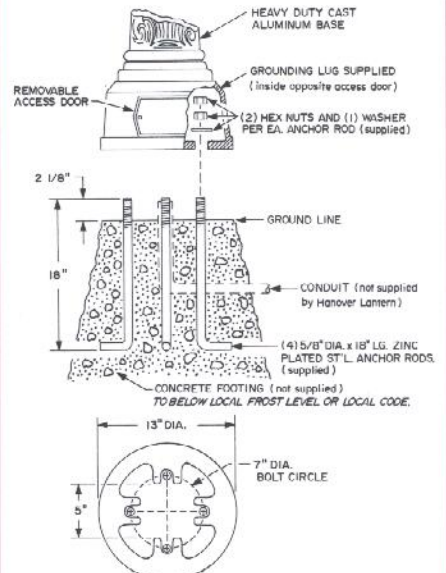
D Details for 361-371-391 posts.



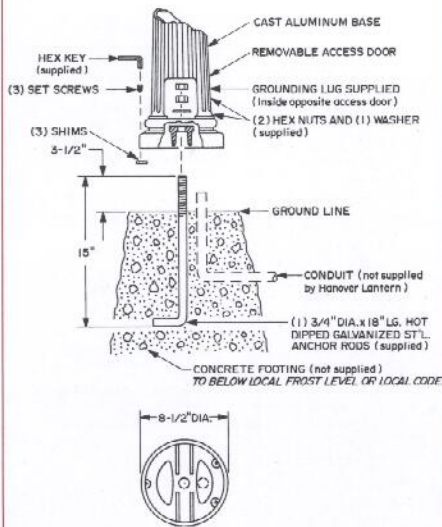
E Details for 359 posts.



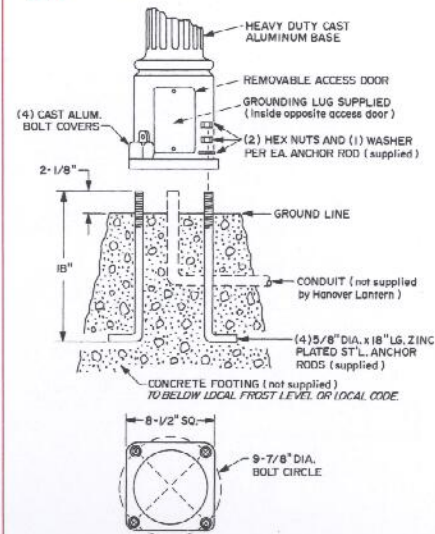
F Details for 300-301-302-309 posts.



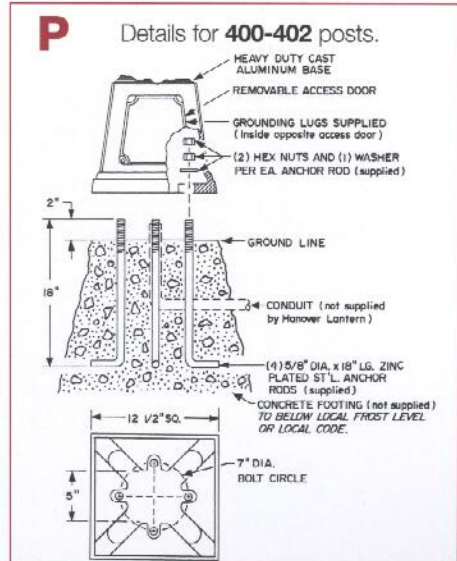
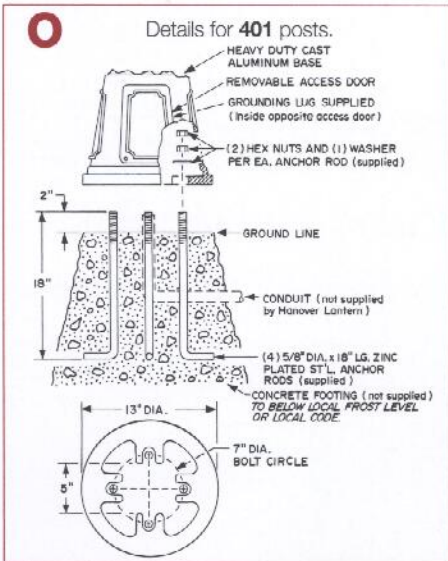
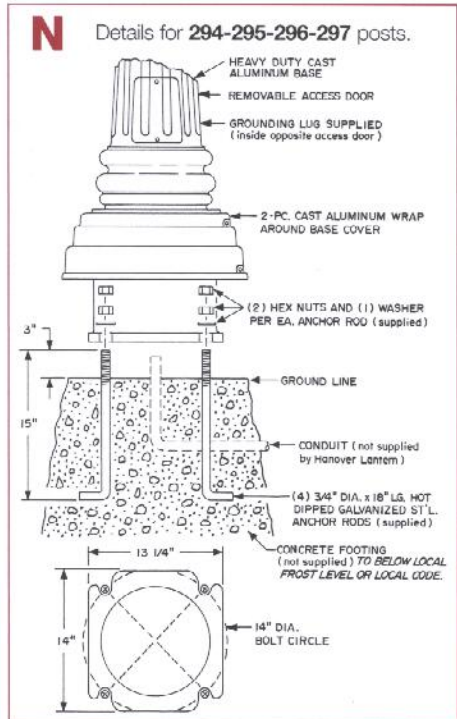
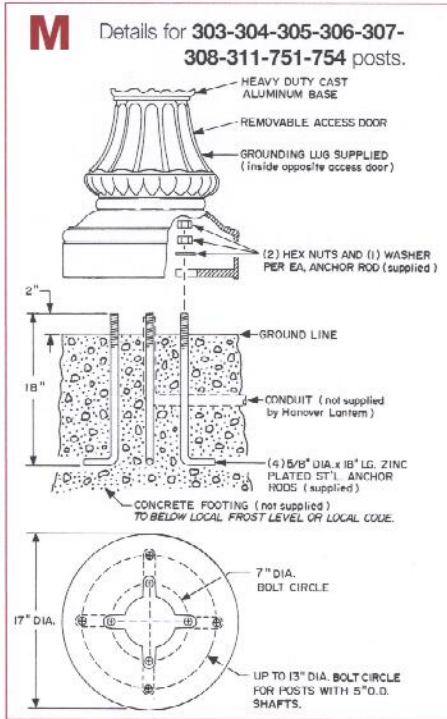
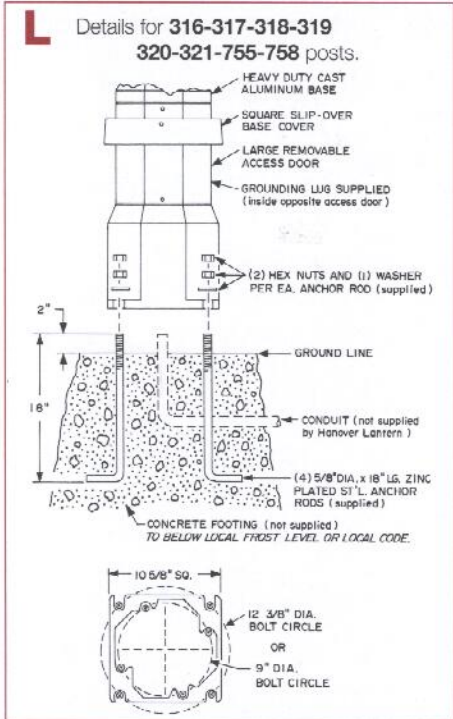
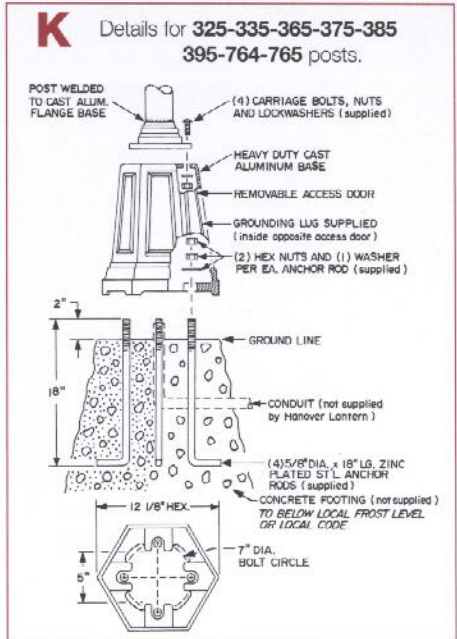
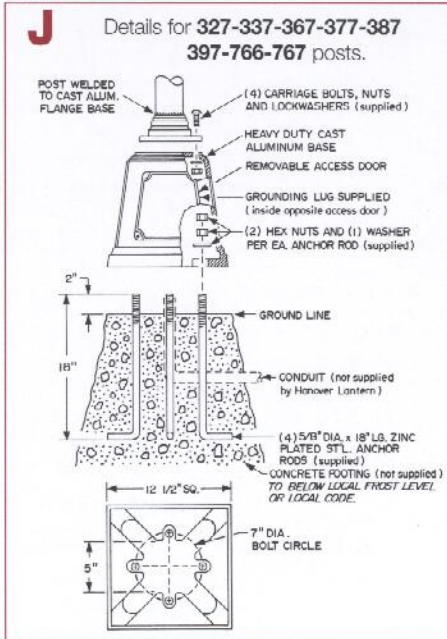
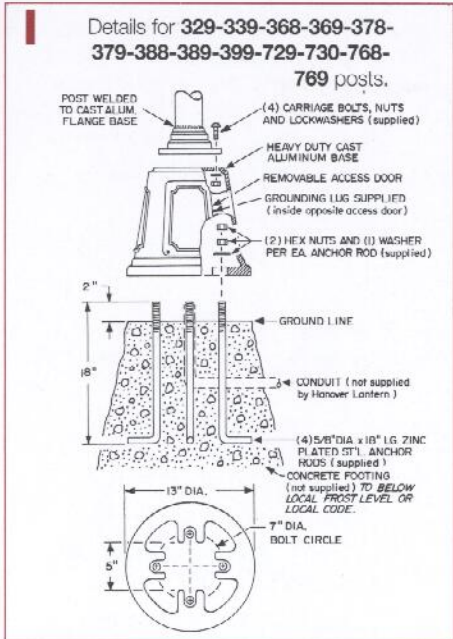
G Details for 342-344-374-394 posts.



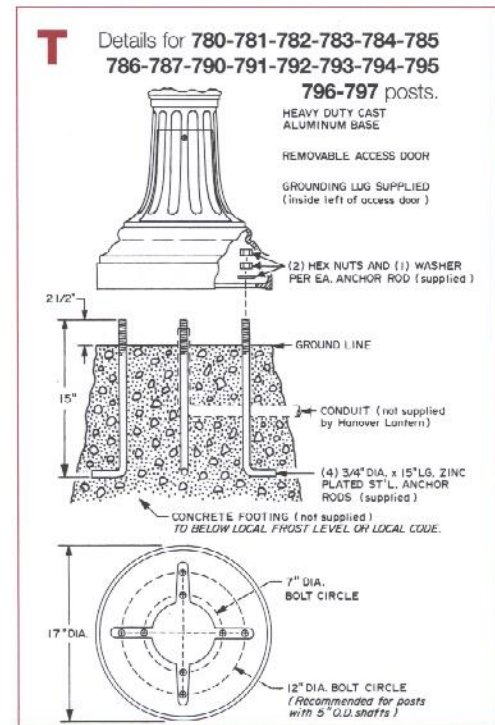
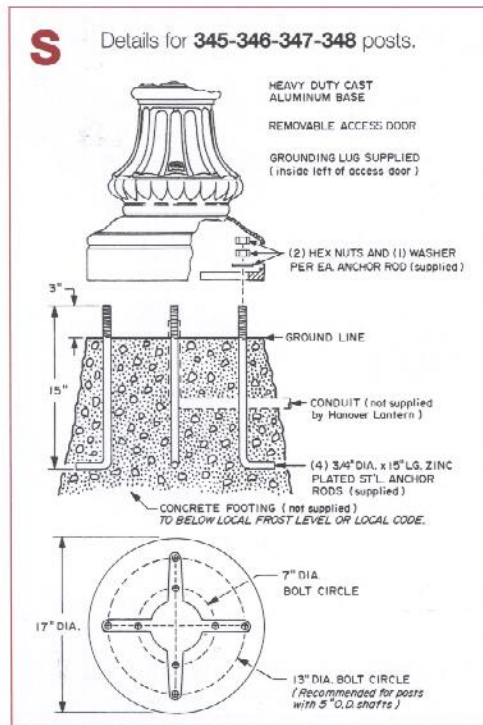
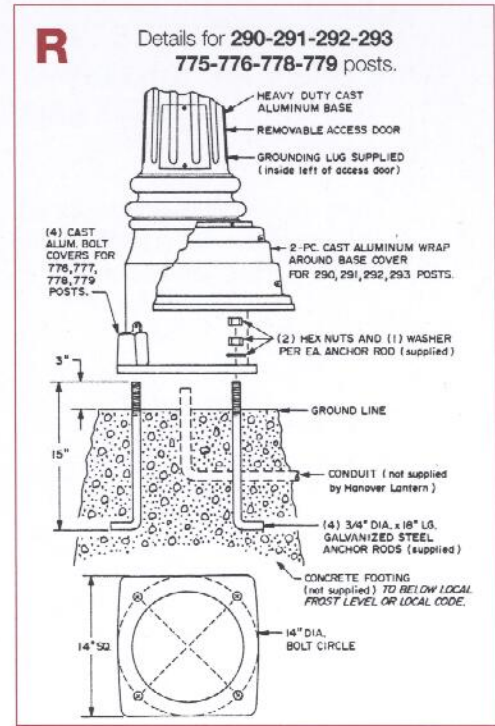
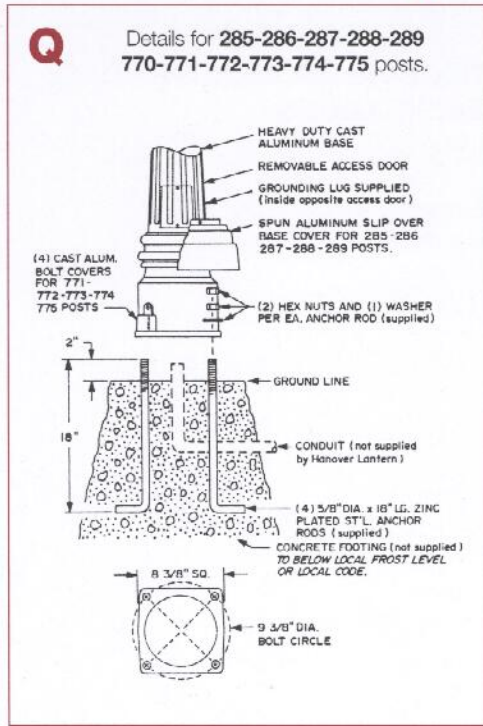
H Details for 312-314-713-714 posts.



Post and Base Mounting Details



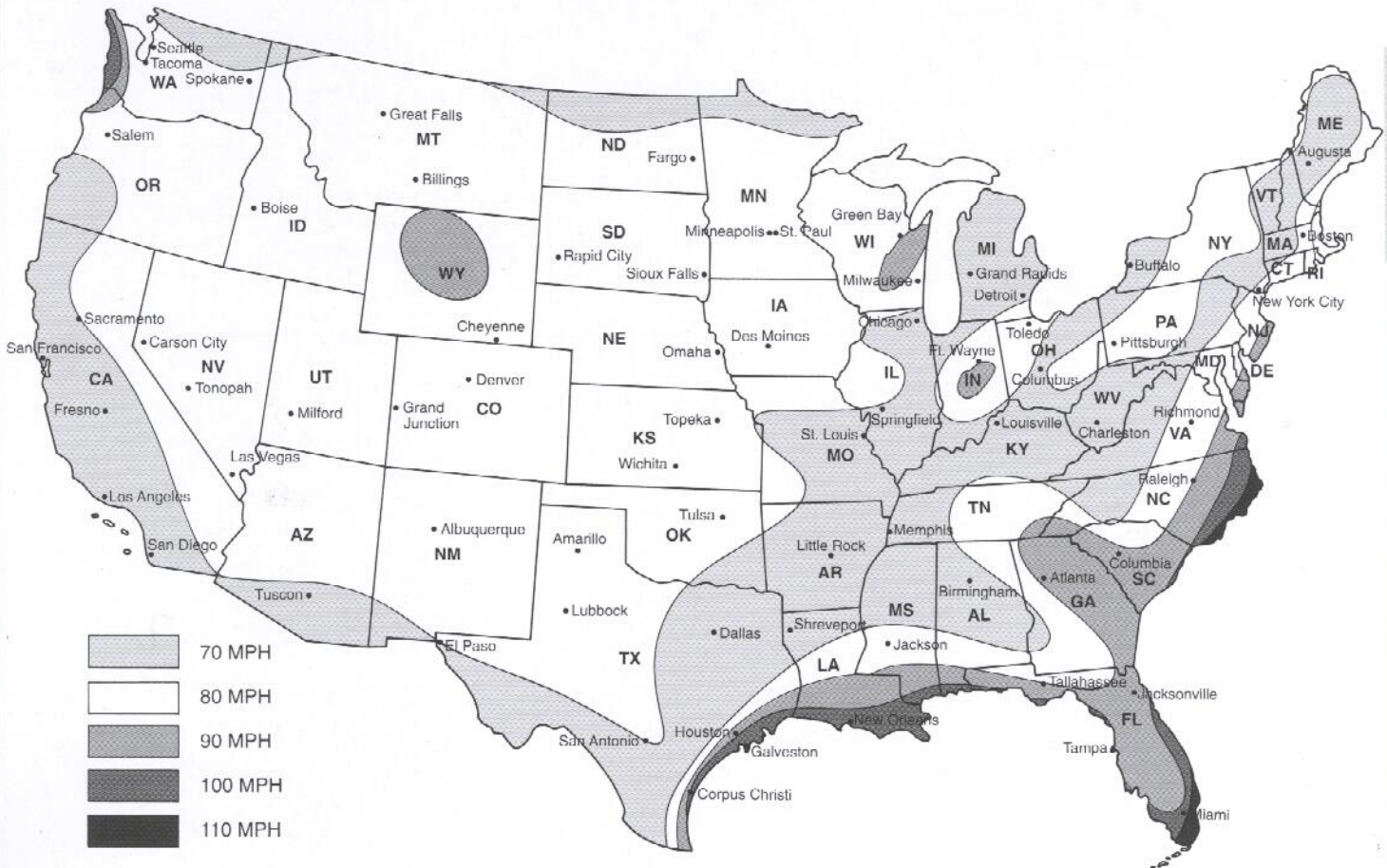
Post and Base Mounting Details



NATIONAL WIND VELOCITY MAP

STATE OR FEDERAL HIGHWAY PROJECTS MAY REQUIRE DECORATIVE POLES TO MEET AASHTO OR NEMA SPECIFICATIONS.

Decorative poles are designed to meet the industry accepted wind loading design practices for decorative street lighting standards. Poles are designed for post top mounted luminaires.



NATIONAL WIND VELOCITY MAP

HOW TO DETERMINE AND CALCULATE EPA WIND LOADING FOR YOUR AREA.

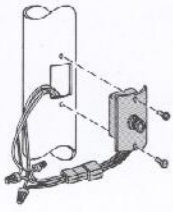
1. Determine the maximum wind velocity in your local area as indicated on the national wind velocity map. (shown above)
2. Select the style luminaire you prefer. The effective projected area (EPA) of each post top luminaire is listed throughout this catalog.
3. Select the style and height pole you prefer. See the EPA wind load charts for poles on pages P-20 and P-21 for poles suitable for the wind velocity in your area.

NOTE: THE EPA WIND LOAD RATING FOR THE POLE MUST BE GREATER THAN THE EPA RATING OF THE LUMINAIRE.

For EPA rating on multiple post top mounted luminaires-
contact factory

Accessories

PHOTO CONTROL - CURVED OUTLET



DUSK TO DAWN
PHOTO ELECTRIC CELL
INSTALLED WITH DOOR
AND QUICK DISCONNECTS
No. 008 120 VOLT

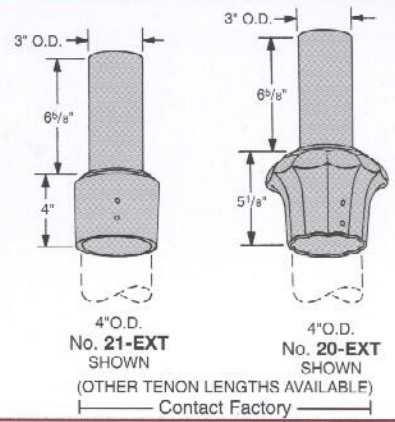
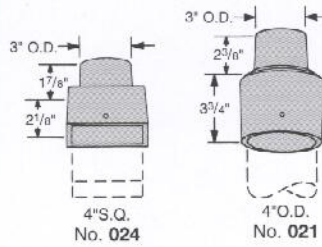


DUSK TO DAWN
PHOTO ELECTRIC CELL
No. 010 INSTALLED 120V/1000W.
No. 010R (REPLACEMENT)
No. 011 INSTALLED 208-277 VOLT
No. 011R (REPLACEMENT)



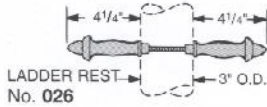
CURVED OUTLET
FOR 3" O.D. POSTS
120 VOLT
No. 012 INSTALLED
No. 013 (REPLACEMENT)

POST TOP TENON

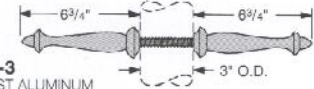


(OTHER TENON LENGTHS AVAILABLE)
Contact Factory

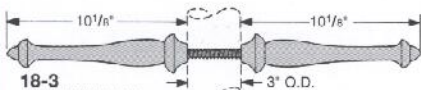
LADDER RESTS



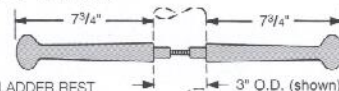
LADDER REST
No. 026



17-3
CAST ALUMINUM
LADDER REST
FOR 3" O.D. POSTS

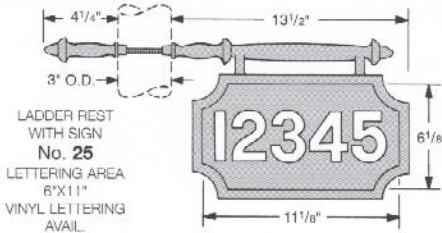


18-3
CAST ALUMINUM
LADDER REST
FOR 3" O.D. POSTS

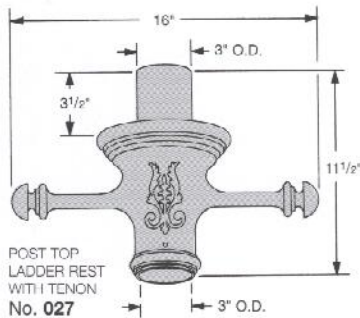


LADDER REST
No. 29-3
FOR 3" O.D. POST

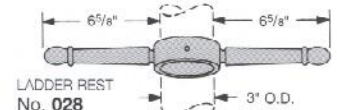
No. 29-4
FOR 4" O.D. POST



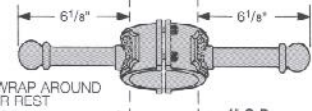
LADDER REST
WITH SIGN
No. 25
LETTERING AREA
6" X 11"
VINYL LETTERING
AVAIL.



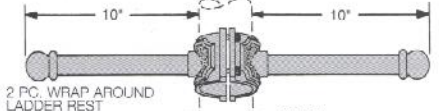
POST TOP
LADDER REST
WITH TENON
No. 027



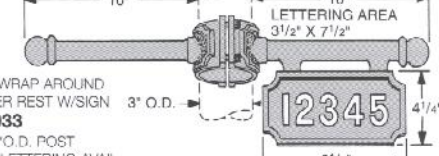
LADDER REST
No. 028
FOR 3" O.D. POST



2 PC. WRAP AROUND
LADDER REST
No. 031
FOR 4" O.D. POST



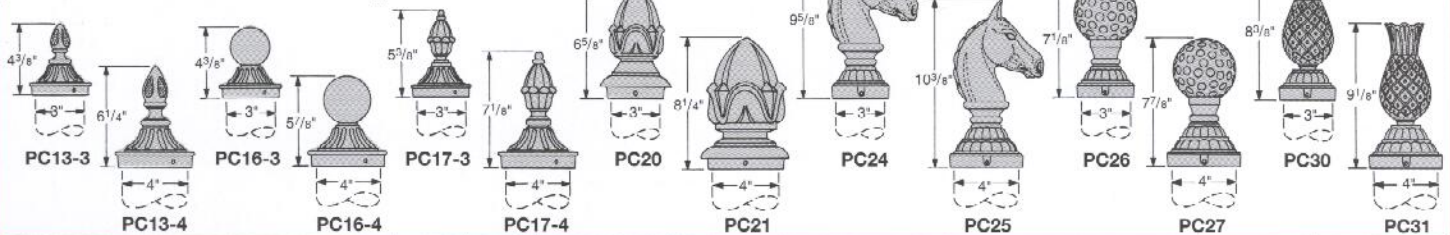
2 PC. WRAP AROUND
LADDER REST
No. 032
FOR 3" O.D. POST



2 PC. WRAP AROUND
LADDER REST WITH SIGN
No. 033
FOR 3" O.D. POST
VINYL LETTERING AVAIL.

POST TOP CAPS WITH FINIALS

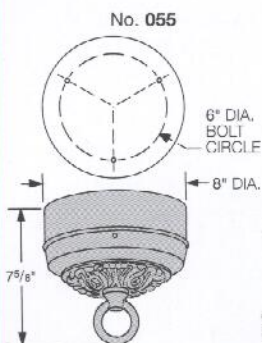
POST CAPS SHOWN ARE FOR 3" O.D. AND 4" O.D. POSTS.
(Other finials available - contact factory)



H.I.D. CEILING CANOPY

H.I.D. PIER BASE

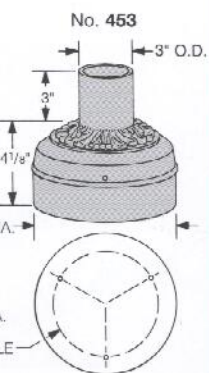
PIER BASES



No. 055

6" DIA. BOLT CIRCLE
8" DIA.
7 5/8"

BALLASTS AVAILABLE
M.V. 50, 75, 100, 175 WATT
S-35, 50, 70, 100, 150 WATT
MH. 50, 70, 100 WATT



No. 453

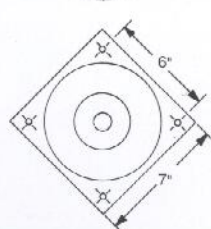
3" O.D.
3"
4 1/8"
8" DIA.
8" DIA. BOLT CIRCLE

CONTACT
FACTORY
FOR
VOLTAGES

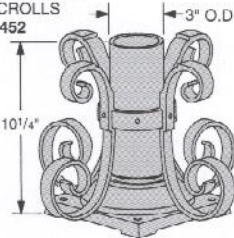


CAST ALUMINUM
SQ. PIER BASE
NO. 400

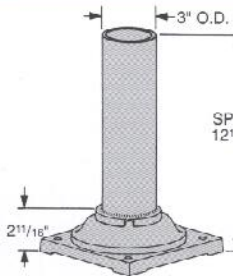
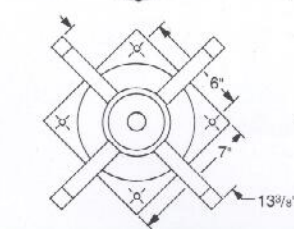
3" O.D.
17/8"
4 3/8"



CAST ALUMINUM
SQ. PIER BASE
W/SCROLLS
NO. 452



3" O.D.
10 1/4"

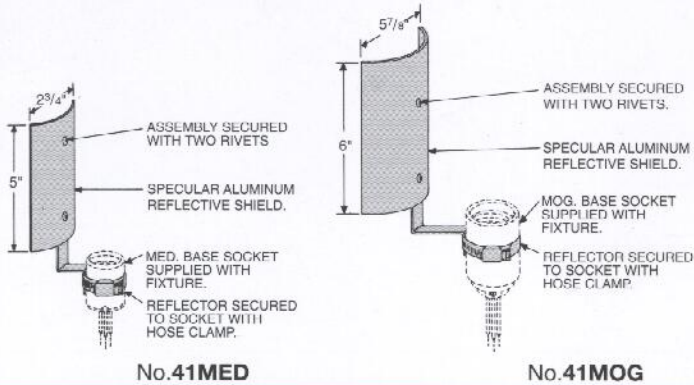


CAST ALUMINUM
SQ. PIER BASE
WITH 3" O.D.
WELDED TUBING

SP412
12 11/16"
NO. SP406
8 11/16" H.
NO. SP412
12 11/16" H.
NO. SP418
18 11/16" H.
NO. SP424
24 11/16" H.
OTHER LENGTHS
AVAILABLE
CONTACT
FACTORY

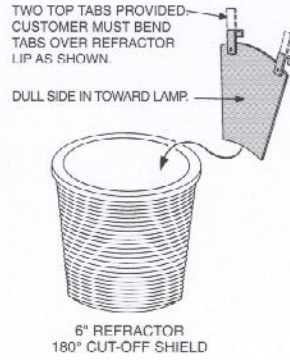
Cut-off shields Wall brackets

HOUSE SIDE CUT-OFF SHIELDS

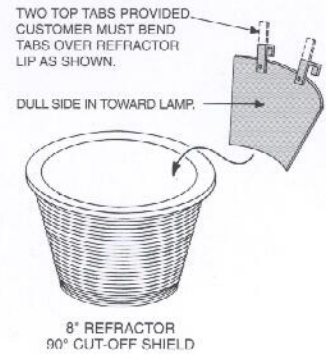


No. 41MED

No. 41MOG

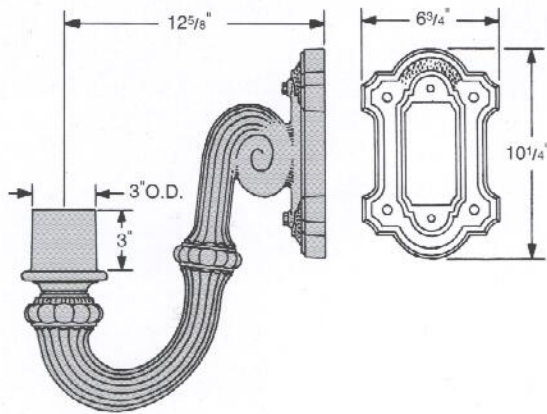


No. 42

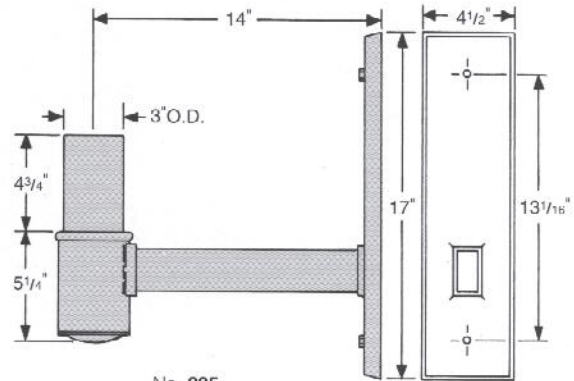


No. 44

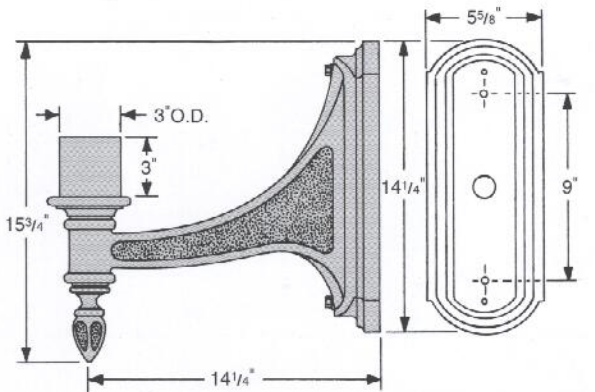
CAST ALUMINUM WALL BRACKETS (FOR LANTERNS WITH 3" I.D. POST FITTERS)



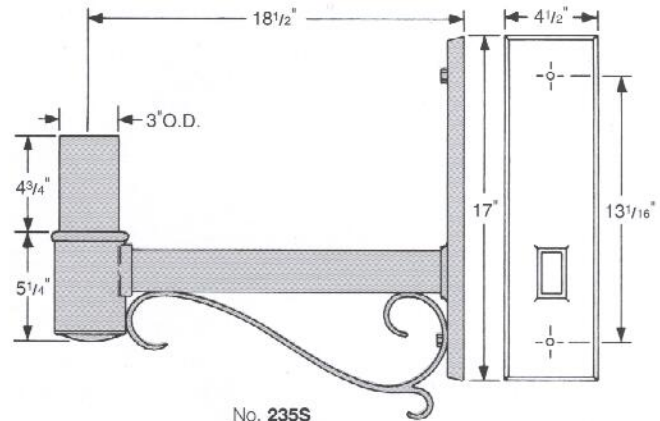
No. 214
2-PC. CAST ALUMINUM WALL BRACKET
MOUNTING HARDWARE SUPPLIED



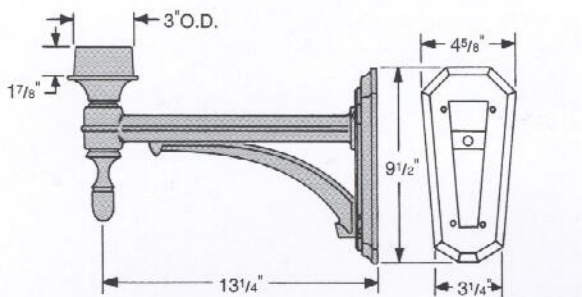
No. 235
ONE PC. ALL ALUMINUM WALL BRACKET
MOUNTING BOLTS SUPPLIED



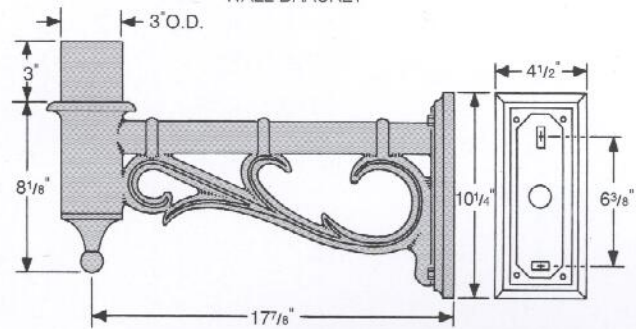
No. 245
2-PC. CAST ALUMINUM WALL BRACKET
MOUNTING HARDWARE SUPPLIED



No. 235S
ONE PC. ALL ALUMINUM WALL BRACKET
MOUNTING BOLTS SUPPLIED



No. 570
2-PC. CAST ALUMINUM WALL BRACKET
MOUNTING HARDWARE SUPPLIED

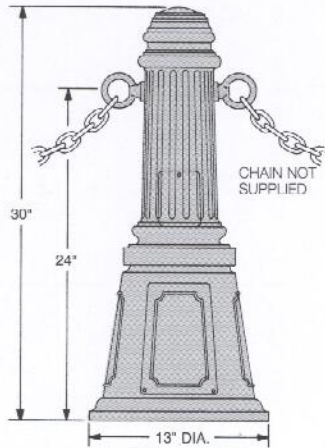


No. 535S
2-PC. CAST ALUMINUM WALL BRACKET
MOUNTING HARDWARE SUPPLIED

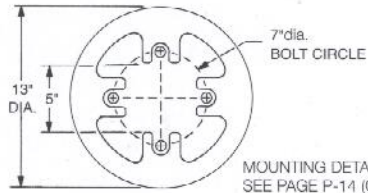
Bollards

for the complete bollard selection-see tabbed section B

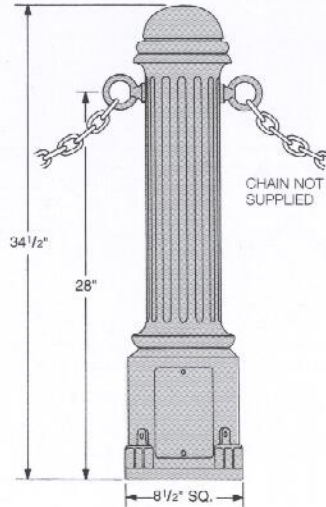
DECORATIVE CAST ALUMINUM BOLLARDS ARE SUPPLIED WITH AND WITHOUT HEAVY DUTY CAST ALUMINUM LOOPS. LOOPS ARE SECURELY WELDED TO BOLLARD



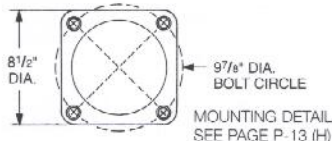
No. **165** NO LOOPS
No. **165-1** ONE LOOP
No. **165-2** TWO LOOPS (180°)



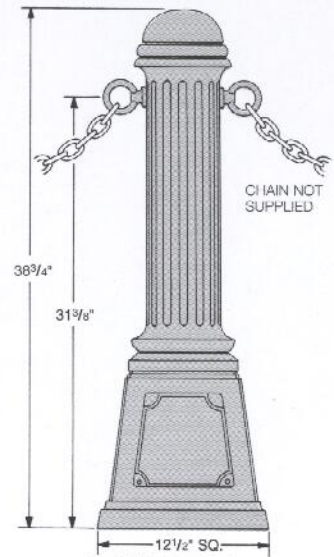
MOUNTING DETAIL
SEE PAGE P-14 (O)



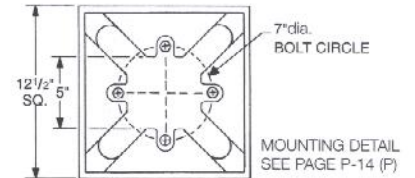
No. **166** NO LOOPS
No. **166-1** ONE LOOP
No. **166-2** TWO LOOPS (180°)



MOUNTING DETAIL
SEE PAGE P-13 (H)



No. **167** NO LOOPS
No. **167-1** ONE LOOP
No. **167-2** TWO LOOPS (180°)

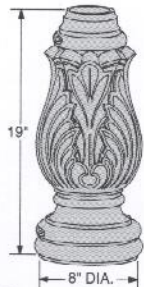


MOUNTING DETAIL
SEE PAGE P-14 (F)

Decorative wrap around bases

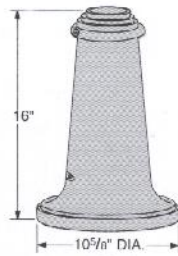
THESE CAST ALUMINUM TWO PIECE WRAP AROUND BASES WERE DESIGNED TO ADD A MORE DECORATIVE APPEARANCE TO A PLAIN POST OR ADD A MORE MASSIVE APPEARANCE TO SMALLER ANCHOR BASE POSTS.

FOR YOUR CONVENIENCE WRAP AROUND BASES ARE SHOWN ON A VARIETY OF POSTS THROUGHOUT THE POST SECTION.

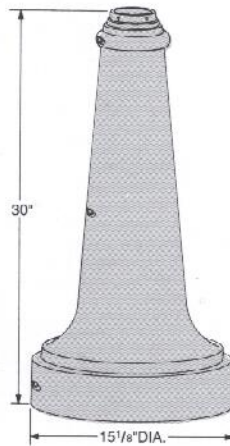


FOR 3" O.D. POSTS
FOR 4" O.D. POSTS

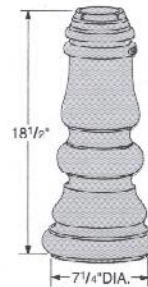
135-3
135-4



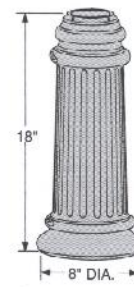
136-3
136-4



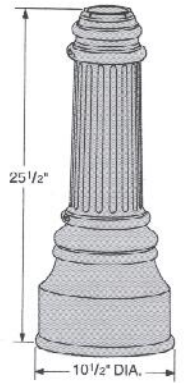
137-3
137-4



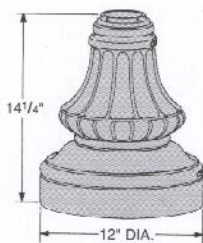
138-3
138-4



139-3
139-4

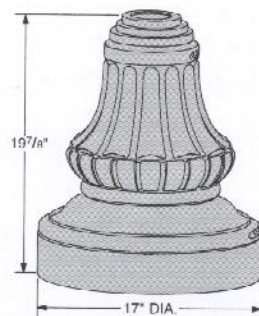


140-3
140-4

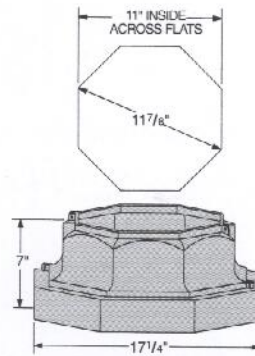


FOR 3" O.D. POSTS
FOR 4" O.D. POSTS

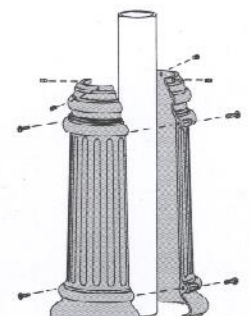
142-3
—



143-3
143-4
143-4F (4" O.D. FLUTED POST)

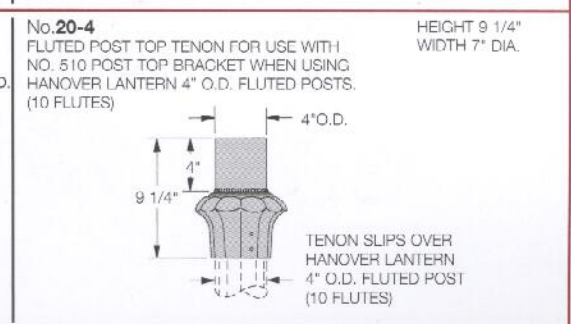
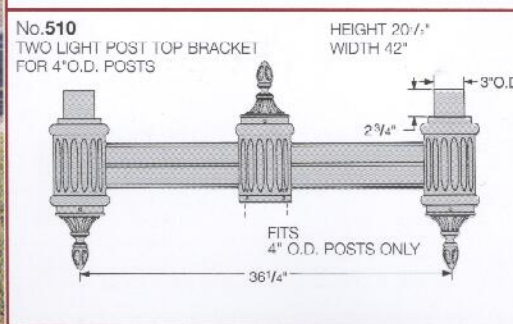
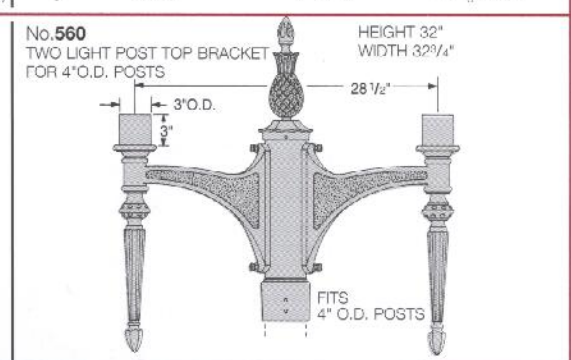
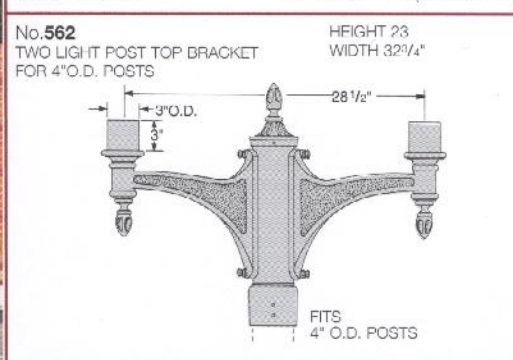
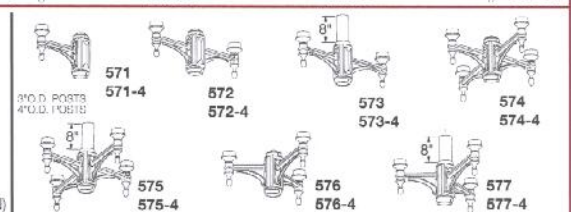
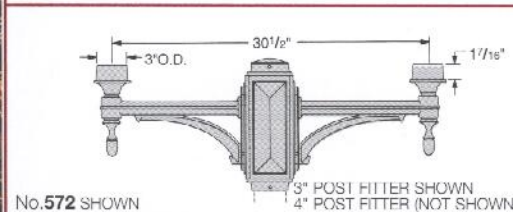
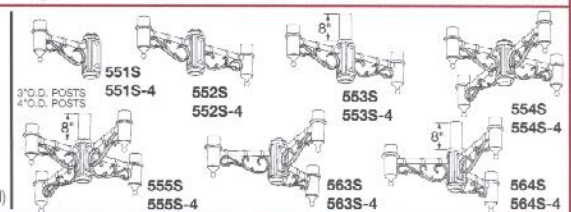
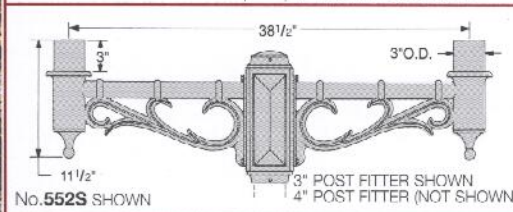
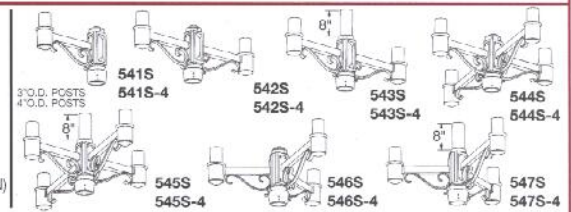
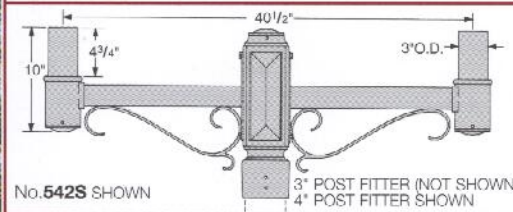
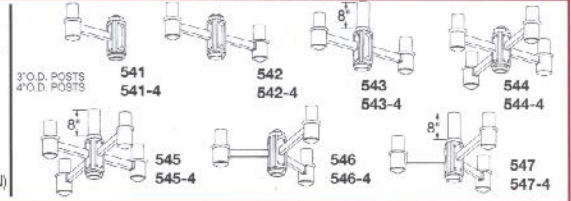
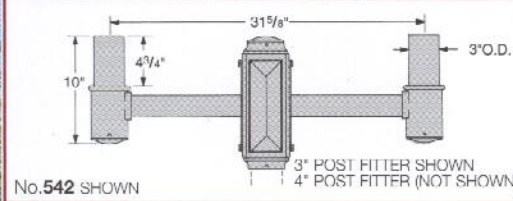
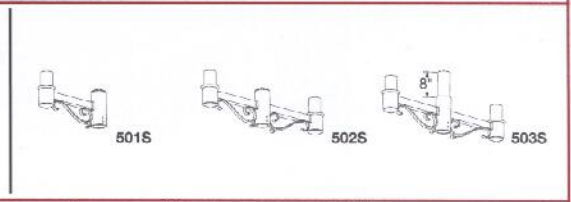
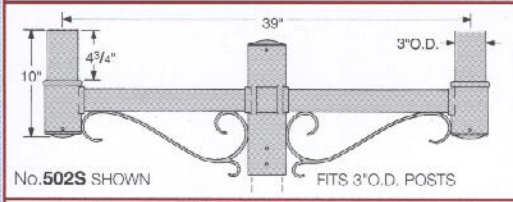
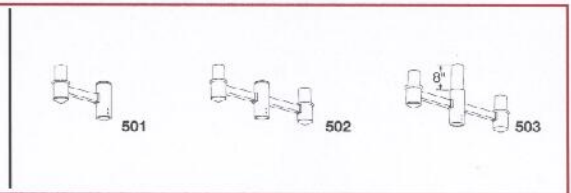
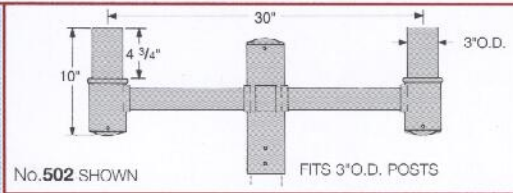
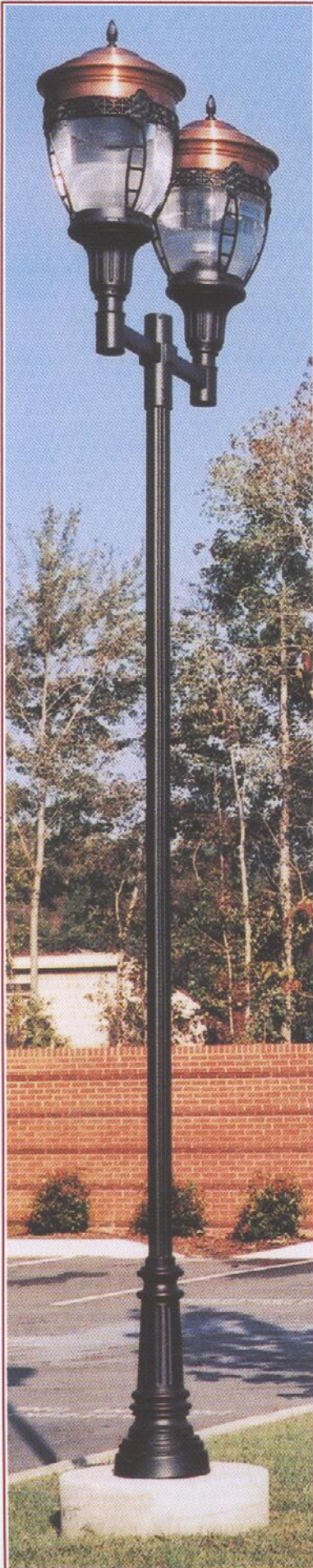


141
FITS 10 7/8" OCTAGON BASE
(EXAMPLE 319 POST)

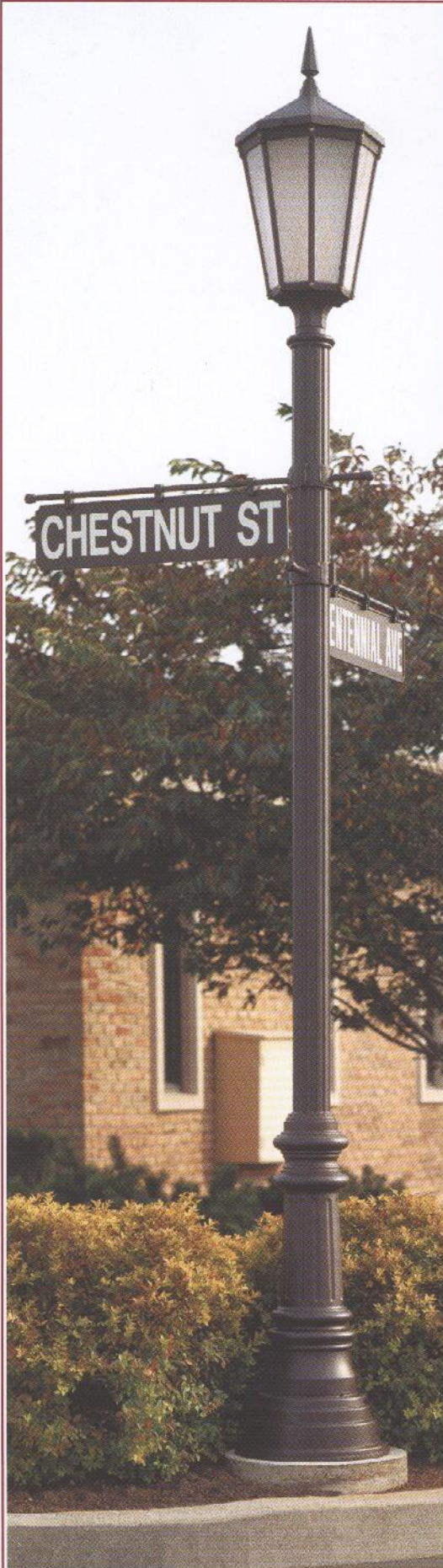


DETAIL SHOWS 2-PC. WRAP AROUND
BASE. ALL MOUNTING SCREWS
AND BOLTS ARE SUPPLIED.

Post Top Brackets



Signage



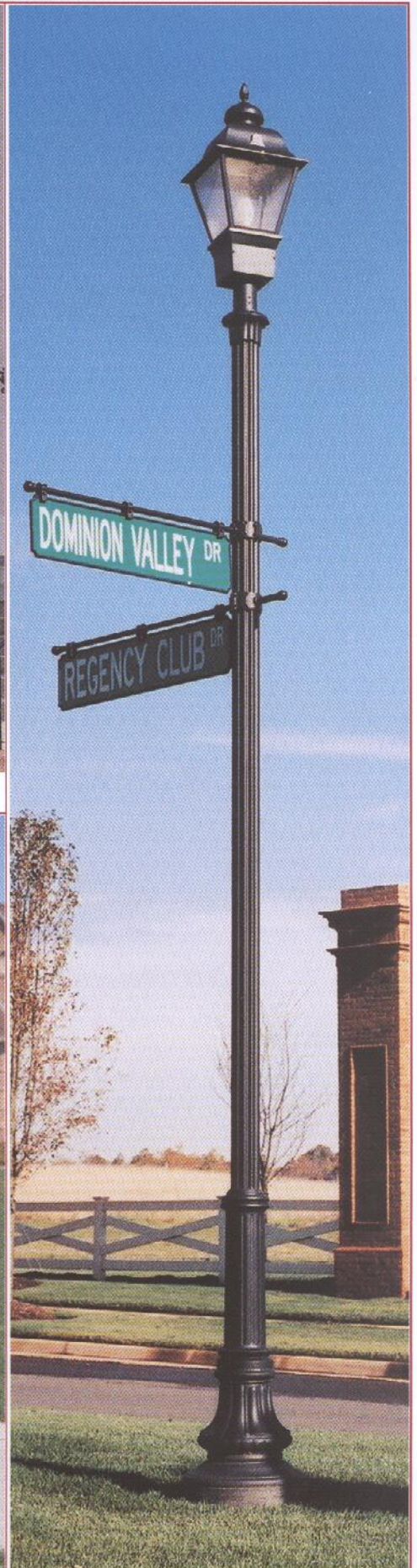
Model 3833BP on a 291-12' post with two 193-5 street signs.



Model 1630BP on a 305-10' post with two 39-4 banner arms.

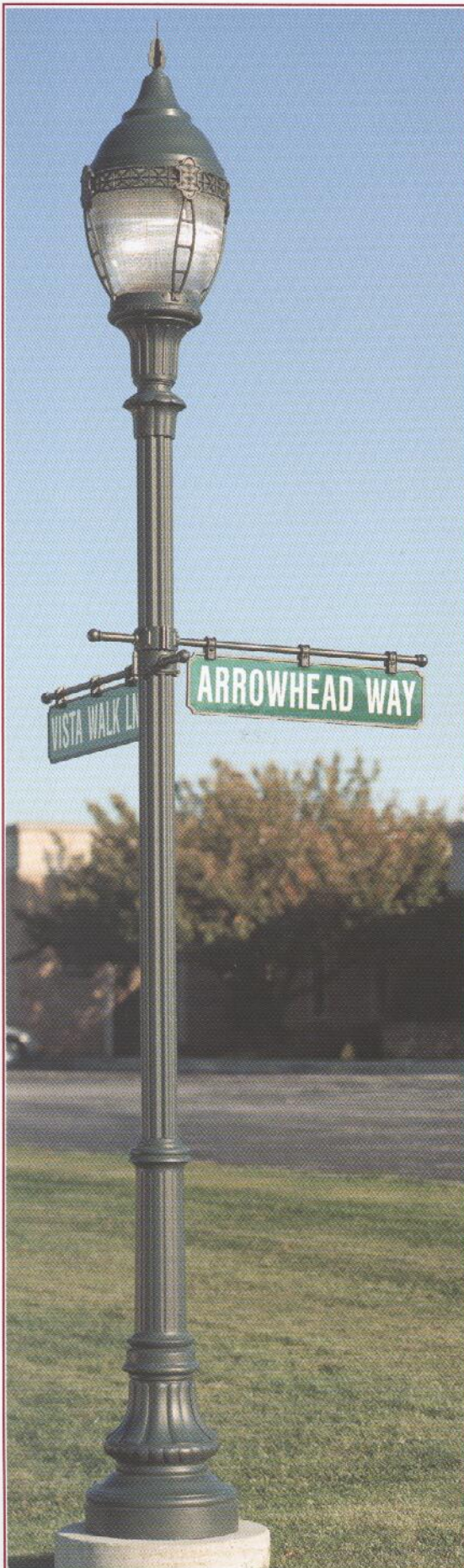


Model 212TSF traffic sign frame on a 350-12' post, 139-3 base and PC20 finial.

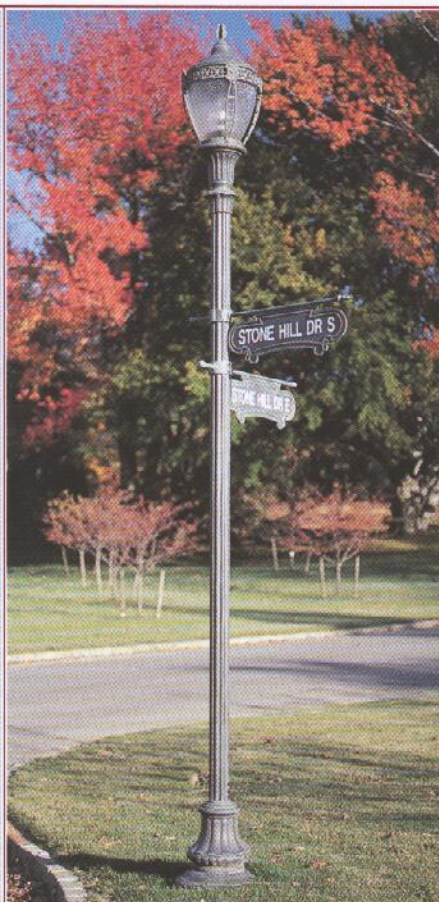


Model 8438R5 on a 303-14' post with two 193-4 street signs.

Signage



Model **33530BP** on a **303-10'** post with two **192-4** street signs.



Model **3173BP** on a **306-10'** post with two **189-4** street signs.



Model **207TSF** traffic sign frame on a **340-12'** post, **139-4** base and **PC16-3** finial.



Model **3134BP** on a **760-12'** post, two **189-4** street signs and **140-4** wrap around base. Model **190** stop sign frame, **353-8'** post, **PC13-3** post cap and **139-3** wrap around base.

House number plaques

ONE PIECE CAST ALUMINUM CONSTRUCTION WITH RAISED BORDERS AND NUMBERS. (numbers available in size and style shown only). ALL FINISHES AVAILABLE - St'd borders and numbers painted gold, contact factory for other finishes.



MOUNTING HARDWARE INCLUDED



No. **R629**
H 7" x W 12 3/4"
Up to 3 numbers
Finish shown - GRANITE



No. **R617**
H 8" x W 16 3/4"
Up to 5 numbers
Finish shown - FOREST GREEN



No. **R630**
H 7 3/4" x W 10"
Up to 3 numbers
Finish shown - BLACK



No. **R619**
H 8 1/2" x W 15"
Up to 5 numbers
Finish shown - RUSTIC BRONZE



No. **R632**
H 7 3/4" x W 10"
Up to 3 numbers
Finish shown - IRONSTONE



No. **R631**
H 7 1/2" x W 15"
Up to 5 numbers
Finish shown - WEATHERED BRONZE



No. **R634**
H 7" x W 10 5/8"
Up to 3 numbers
Finish shown - VERDE



No. **R633**
H 7 1/2" x W 15 3/4"
Up to 5 numbers
Finish shown - ANTIQUE BRASS

Street Signs

POST TOP MOUNT STREET SIGNS FOR 3" O.D. POSTS.
 SIGNS ARE HEAVY DUTY EXTRUDED ALUMINUM WITH GREEN REFLECTIVE BACKGROUND, WHITE VINYL LETTERING TWO SIDES. (MOUNTING HARDWARE SUPPLIED).



Photo shows a quality street sign and post installation by Hanover Lantern. (Which installation would you prefer?) 350-10 post, 139-3 base, 198-EB3, 198-EBX.

Photo shows a typical municipal installation of a street sign and post in an upscale development.

POST TOP SIGNS (EB3) w/3"o.d. post fitter.

TOP SIGNS (EBX) w/"X"mounting brackets.



4" high white vinyl lettering

4" high white vinyl lettering

4" high white vinyl lettering

4" high white vinyl lettering

6" high white vinyl lettering

6" high white vinyl lettering



No. 196-EBX

No. 197-EBX

No. 198-EBX

No. 199-EBX

No. 200-EBX

No. 201-EBX

(NOTE: 9" x 36" signs available-contact factory).

TOP SIGN MUST HAVE AN (EBX) CODE.



POST TOP SIGN MUST HAVE AN (EB3) CODE.

NOTE:

SIGN LETTERING WILL BE COMMERCIAL GRADE WHITE VINYL. (BOTH SIDES) LETTERING WILL BE CONDENSED AND OR ABBREVIATED DEPENDING ON THE NUMBER OF LETTERS PER SIGN.

Street Signs

CAST ALUMINUM WRAP AROUND SIGN BRACKETS.
 FLAT ALUMINUM SIGNS HAVE GREEN REFLECTIVE BACKGROUND WITH WHITE VINYL LETTERING TWO SIDES. MOUNTING BOLTS SUPPLIED. (NO DRILLING REQUIRED)



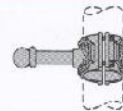

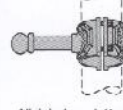



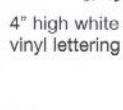





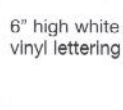

High quality street signs and decorative posts offered by Hanover Lantern provide the finishing touches to complement your development. Don't settle for the unattractive posts and signs from your local municipality. Hanover Lantern offers a comprehensive selection of decorative performance street lighting, street signs, traffic signs, mailboxes and house signs. Available in over twenty-five durable hand applied decorator finishes.

Shown in photo: 360-10' post, 140-4 wrap base, PC13-4 post cap and (two) 202-4 signs.

SIGN LETTERING

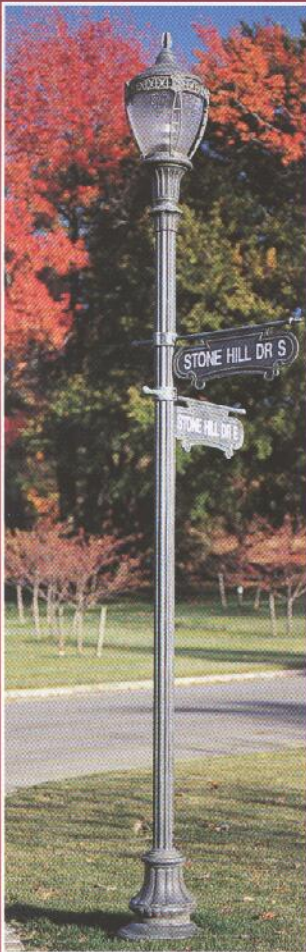
COMMERCIAL GRADE WHITE VINYL, LETTERED BOTH SIDES.

LETTERING WILL BE CONDENSED AND OR ABBREVIATED DEPENDING ON THE NUMBER OF LETTERS PER SIGN.

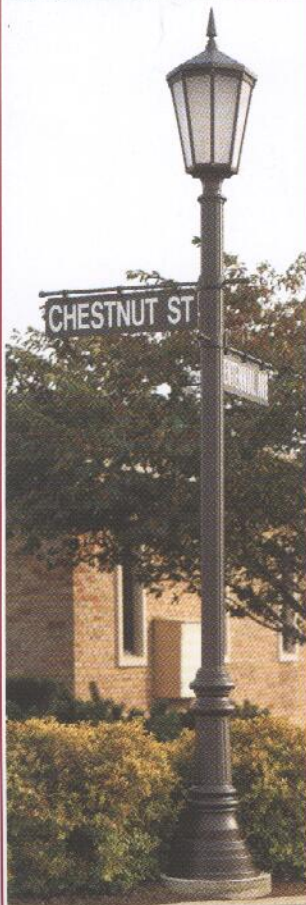
| | | |
|--|--|--|
|  <p>4" high white vinyl lettering</p> |  <p>18" 6"</p> | <p>No.196-3 FITS 3" O.D. POSTS No.196-4 FITS 4" O.D. POSTS No.196-5 FITS 5" O.D. POSTS</p> |
| <p>Cast aluminum wrap around sign clamps available for 4" square posts. (contact factory)</p> | | |
|  <p>4" high white vinyl lettering</p> |  <p>24" 6"</p> | <p>No.197-3 FITS 3" O.D. POSTS No.197-4 FITS 4" O.D. POSTS No.197-5 FITS 5" O.D. POSTS</p> |
|  <p>4" high white vinyl lettering</p> |  <p>30" 6"</p> | <p>No.198-3 FITS 3" O.D. POSTS No.198-4 FITS 4" O.D. POSTS No.198-5 FITS 5" O.D. POSTS</p> |
|  <p>4" high white vinyl lettering</p> |  <p>36" 6"</p> | <p>No.199-3 FITS 3" O.D. POSTS No.199-4 FITS 4" O.D. POSTS No.199-5 FITS 5" O.D. POSTS</p> |
|  <p>6" high white vinyl lettering</p> |  <p>24" 9"</p> | <p>No.200-3 FITS 3" O.D. POSTS No.200-4 FITS 4" O.D. POSTS No.200-5 FITS 5" O.D. POSTS</p> |
|  <p>6" high white vinyl lettering</p> |  <p>30" 9"</p> | <p>No.201-3 FITS 3" O.D. POSTS No.201-4 FITS 4" O.D. POSTS No.201-5 FITS 5" O.D. POSTS</p> |
|  <p>6" high white vinyl lettering</p> |  <p>36" 9"</p> | <p>No.202-3 FITS 3" O.D. POSTS No.202-4 FITS 4" O.D. POSTS No.202-5 FITS 5" O.D. POSTS</p> |

Street Signs

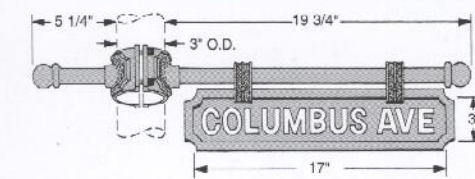
CAST ALUMINUM WRAP AROUND SIGN BRACKETS WITH STREET SIGNS. MOUNTING BOLTS SUPPLIED (NO DRILLING REQUIRED)



Stone Hill-Long Island, NY



Industrial Complex-Richmond, VA



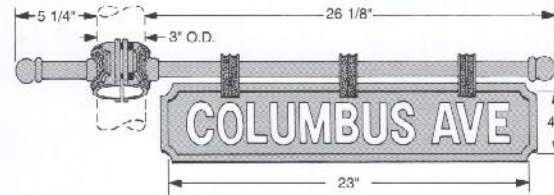
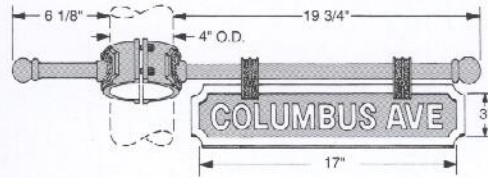
Cast aluminum wrap around sign clamps available for 4" square posts (contact factory)

No. 188-3 (shown) FITS 3" O.D. POST.
Commercial grade vinyl lettering available both sides. (color - black, white or gold) 1 1/2" high letters shown.

No. 188-2R3 (same as 188-3) except, this has RAISED CAST LETTERING - BOTH SIDES. (letters & border painted the same color).

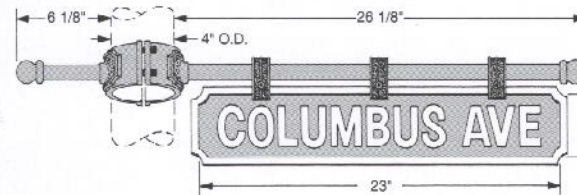
No. 188-4 FITS 4" O.D. POST.
Commercial grade vinyl lettering available both sides. (color - black, white or gold) 1 1/2" high letters shown.

No. 188-2R4 (same as 188-4) except, this has RAISED CAST LETTERING - BOTH SIDES. (letters & border painted the same color as illustrated).



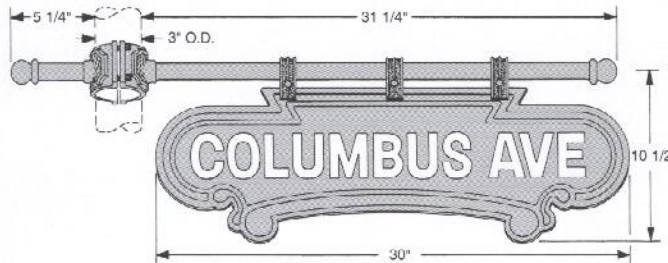
No. 191-3 (shown) FITS 3" O.D. POST.
Commercial grade vinyl lettering available both sides. (color - black, white or gold) 3" high letters shown.

No. 191-2R3 (same as 191-3) except, this has RAISED CAST LETTERING - BOTH SIDES. (letters & border painted the same color).



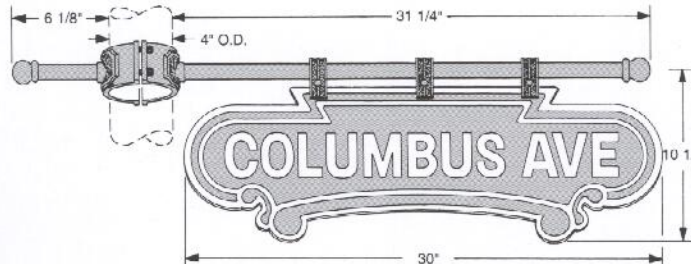
No. 191-4 FITS 4" O.D. POST.
Commercial grade vinyl lettering available both sides. (color - black, white or gold) 3" high letters shown.

No. 191-2R4 (same as 191-4) except, this has RAISED CAST LETTERING - BOTH SIDES. (letters & border painted the same color as illustrated).



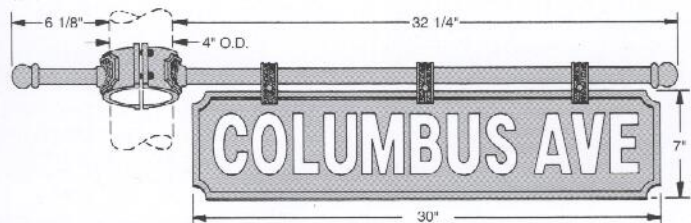
No. 189-3 (shown) FITS 3" O.D. POST.
Commercial grade vinyl lettering available both sides. (color - black, white or gold) 3" high letters shown.

No. 189-2R3 (same as 189-3) except, this has RAISED CAST LETTERING - BOTH SIDES. (letters & border painted the same color).



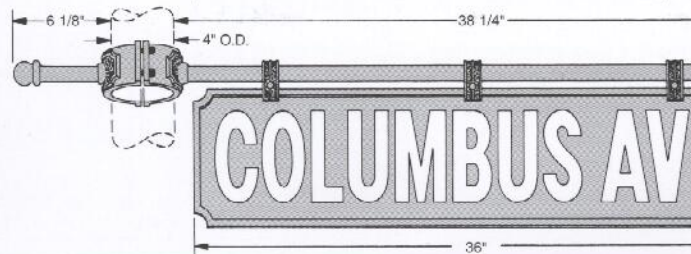
No. 189-4 FITS 4" O.D. POST.
No. 189-5 FITS 5" O.D. POST.
Commercial grade vinyl lettering available both sides. (color - black, white or gold) 3" high letters shown.

No. 189-2R4 FITS 4" O.D. POST.
No. 189-2R5 FITS 5" O.D. POST.
RAISED CAST LETTERING - BOTH SIDES. (letters & border painted the same color as illustrated).



No. 192-4 FITS 4" O.D. POST.
No. 192-5 FITS 5" O.D. POST.
Commercial grade vinyl lettering available both sides. (colors - black, white or gold) 4" high letters shown.

No. 192-2R4 FITS 4" O.D. POST.
No. 192-2R5 FITS 5" O.D. POST.
RAISED CAST LETTERING - BOTH SIDES. (letters & border painted the same color).
3M Scotchlite - diamond grade reflective lettering available upon request, contact factory.



No. 193-4 FITS 4" O.D. POST.
No. 193-5 FITS 5" O.D. POST.
Commercial grade vinyl lettering available both sides. (colors - black, white or gold) 6" high letters shown.

No. 193-2R4 FITS 4" O.D. POST.
No. 193-2R5 FITS 5" O.D. POST.
RAISED CAST LETTERING - BOTH SIDES. (letters & border painted the same color).
3M Scotchlite - diamond grade reflective lettering available upon request, contact factory.

NOTE



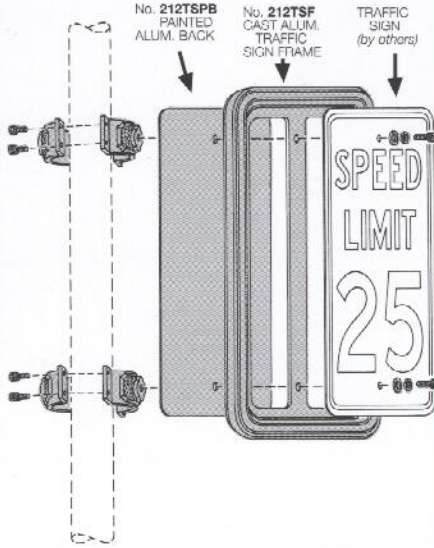
ALL SIGNS HAVE RAISED BORDERS

Traffic sign frames

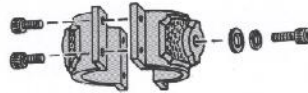


Shown-209TFS sign frame, 761-11' post, PC21 post top finial, (2) 41-4 wrap around clamps and 139-4 wrap around base. Finish shown-Verde Copper VCP

SIGNS AND SIGN FRAMES SECURE TO POST USING TWO HEAVY DUTY CAST ALUMINUM WRAP AROUND CLAMPS. All hardware supplied as shown - no drilling required



TWO PIECE HEAVY DUTY CAST ALUMINUM WRAP AROUND POST CLAMPS.



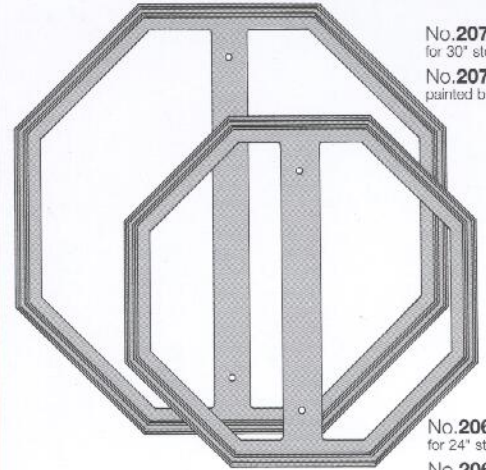
- No. 41-3 FITS 3" O.D. POSTS
- No. 41-4 FITS 4" O.D. POSTS
- No. 41-5 FITS 5" O.D. POSTS

Cast aluminum wrap around sign clamps available for 4" square posts. (contact factory)

CAST ALUMINUM TRAFFIC SIGN FRAMES FOR USE WITH STANDARD TRAFFIC SIGNS.

(Painted aluminum backs available in all finishes)

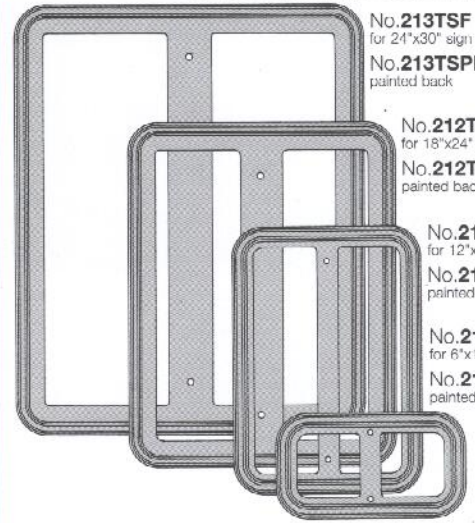
STOP SIGN FRAMES



- No. 207TSF for 30" stop sign
- No. 207TSPB painted back

- No. 206TSF for 24" stop sign
- No. 206TSPB painted back

RECTANGULAR SIGN FRAMES



- No. 213TSF for 24"x30" sign
- No. 213TSPB painted back

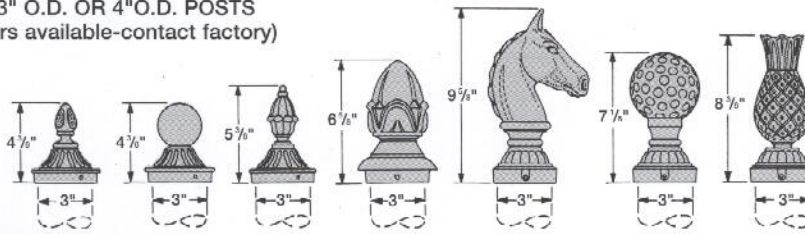
- No. 212TSF for 18"x24" sign
- No. 212TSPB painted back

- No. 211TSF for 12"x18" sign
- No. 211TSPB painted back

- No. 210TSF for 6"x12" sign
- No. 210TSPB painted back

POST TOP CAPS AND FINIALS (cast aluminum)

FOR 3" O.D. OR 4" O.D. POSTS (Others available-contact factory)

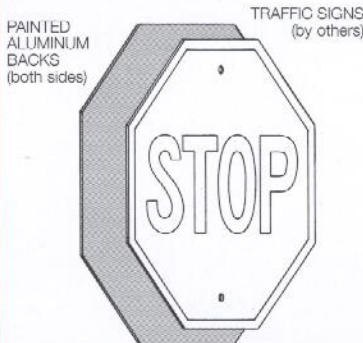


- 3" o.d. posts PC13-3 PC16-3 PC17-3
- 4" o.d. posts PC13-4 PC16-4 PC17-4

- PC20 PC24 PC26 PC30
- PC21 PC25 PC27 PC31

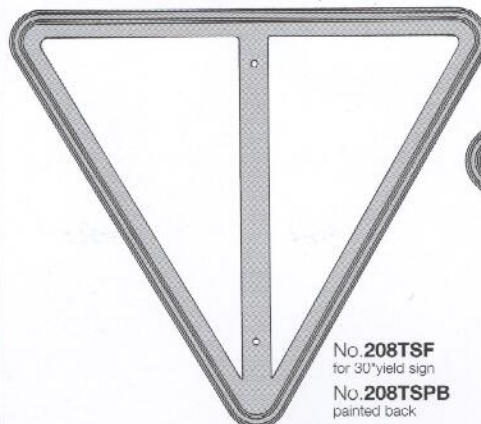
PAINTED FLAT ALUMINUM BACKS FOR STANDARD TRAFFIC SIGNS.

Painted backs have a 1" reveal on all sides. All Hanover Lantern finishes available.



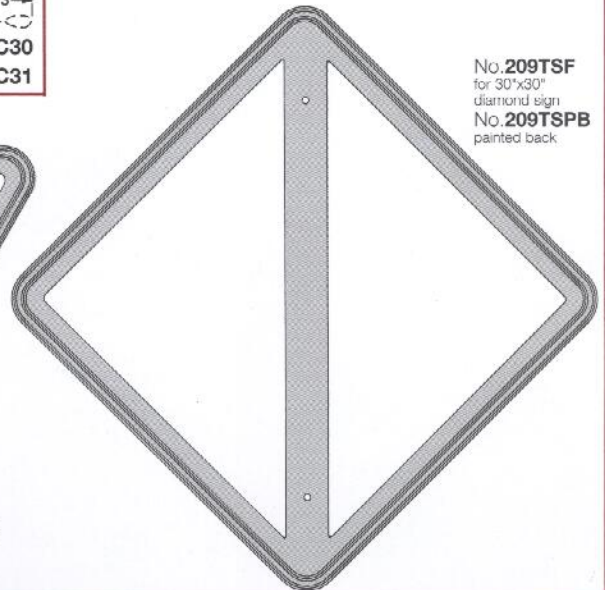
For all traffic sign sizes listed on this page. (other sizes available-contact factory)

TRIANGULAR SIGN FRAME



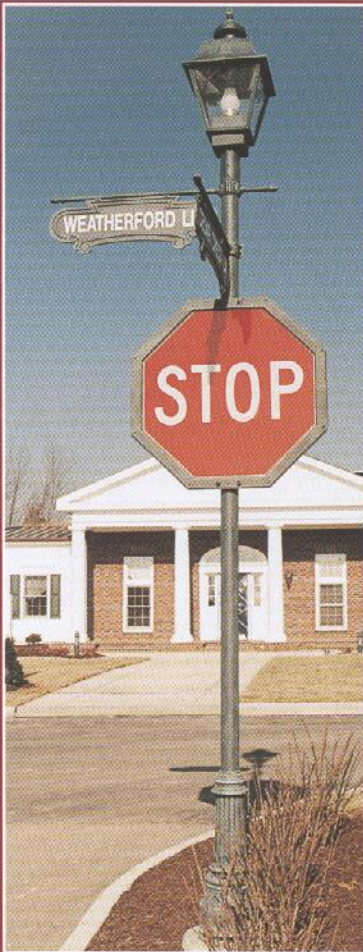
- No. 208TSF for 30" yield sign
- No. 208TSPB painted back

DIAMOND SIGN FRAME

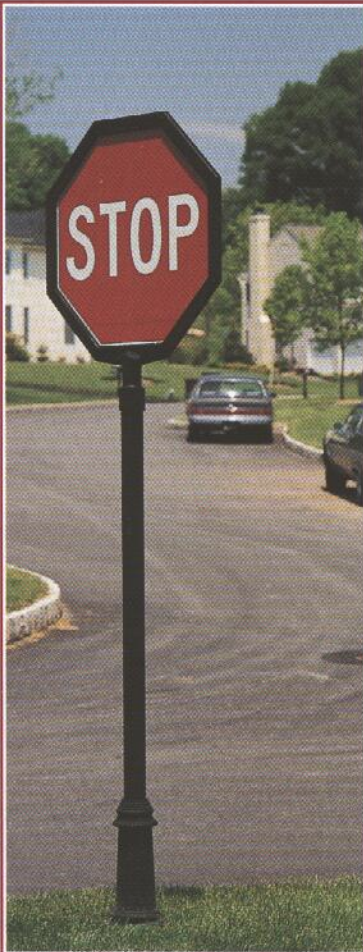


- No. 209TSF for 30"x30" diamond sign
- No. 209TSPB painted back

Banner Arms - Stop Sign Holders



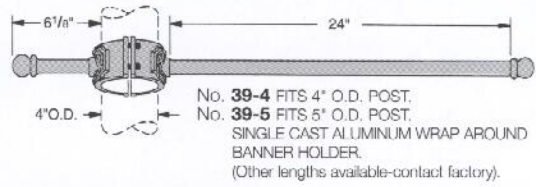
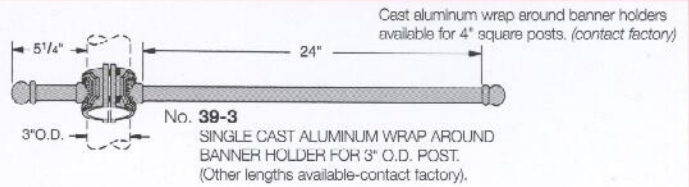
Chestnut Hills - Columbus, OH



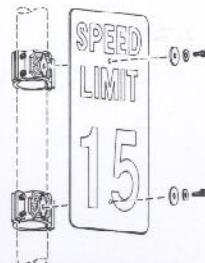
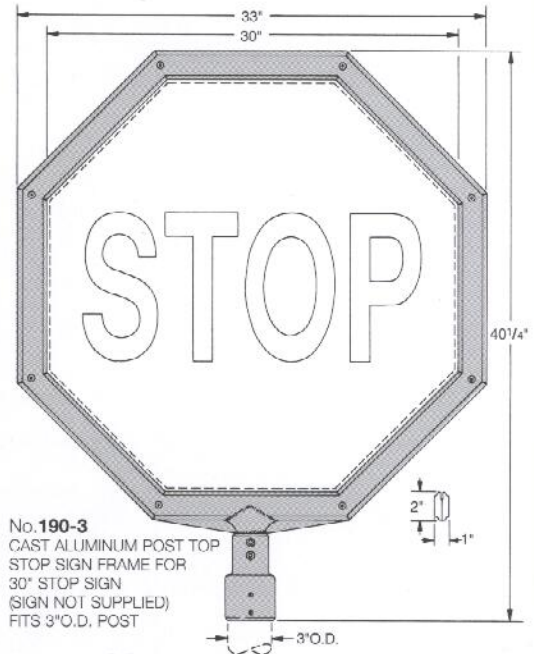
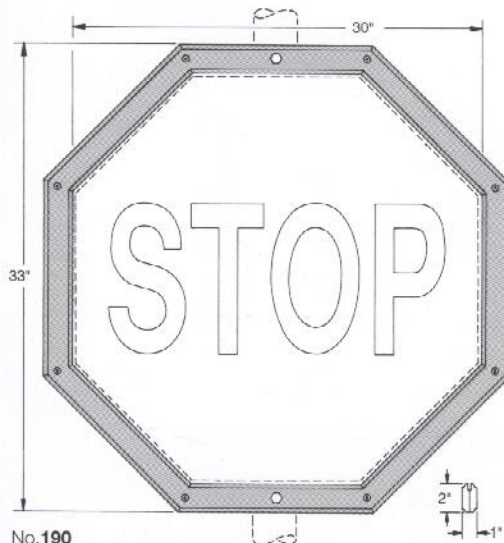
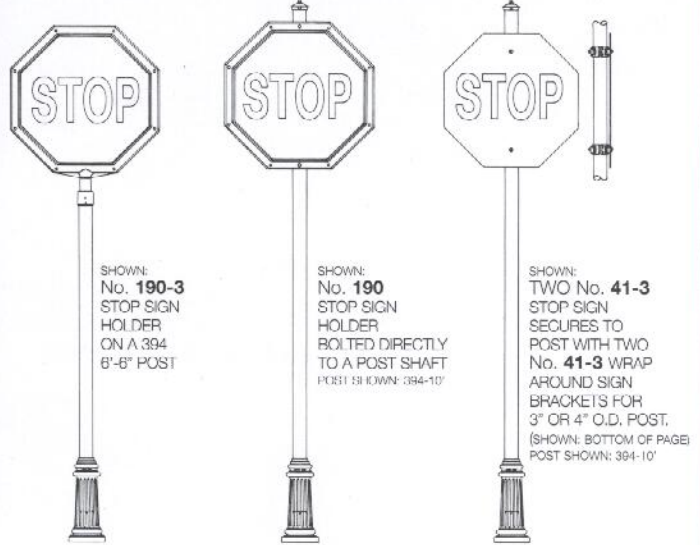
Talamore Estates - Ambler, PA



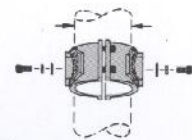
Chestnut Hills - Columbus, OH



STOP SIGN MOUNTING VARIATIONS (SIGNS NOT SUPPLIED)



No. **41-3** FITS 3" O.D. POST.
No. **41-4** FITS 4" O.D. POST.
No. **41-5** FITS 5" O.D. POST.
CAST ALUMINUM WRAP
AROUND BRACKET FOR
HIGHWAY SIGNS.
(Mounting bolts supplied)



**ELECTRONIC FLUORESCENT
VALUE LINE - JAMESTOWN series**
13w. - 18w. - 26w. - 32w. - 42w. available

Sitescape®
SITE • ROADWAY • AREA LIGHTING



9932EF
H. 24 1/4"
W. 11 1/4"
EXT. 16 1/4"
T/o 15 1/2"
Finish shown-Black (BLK)

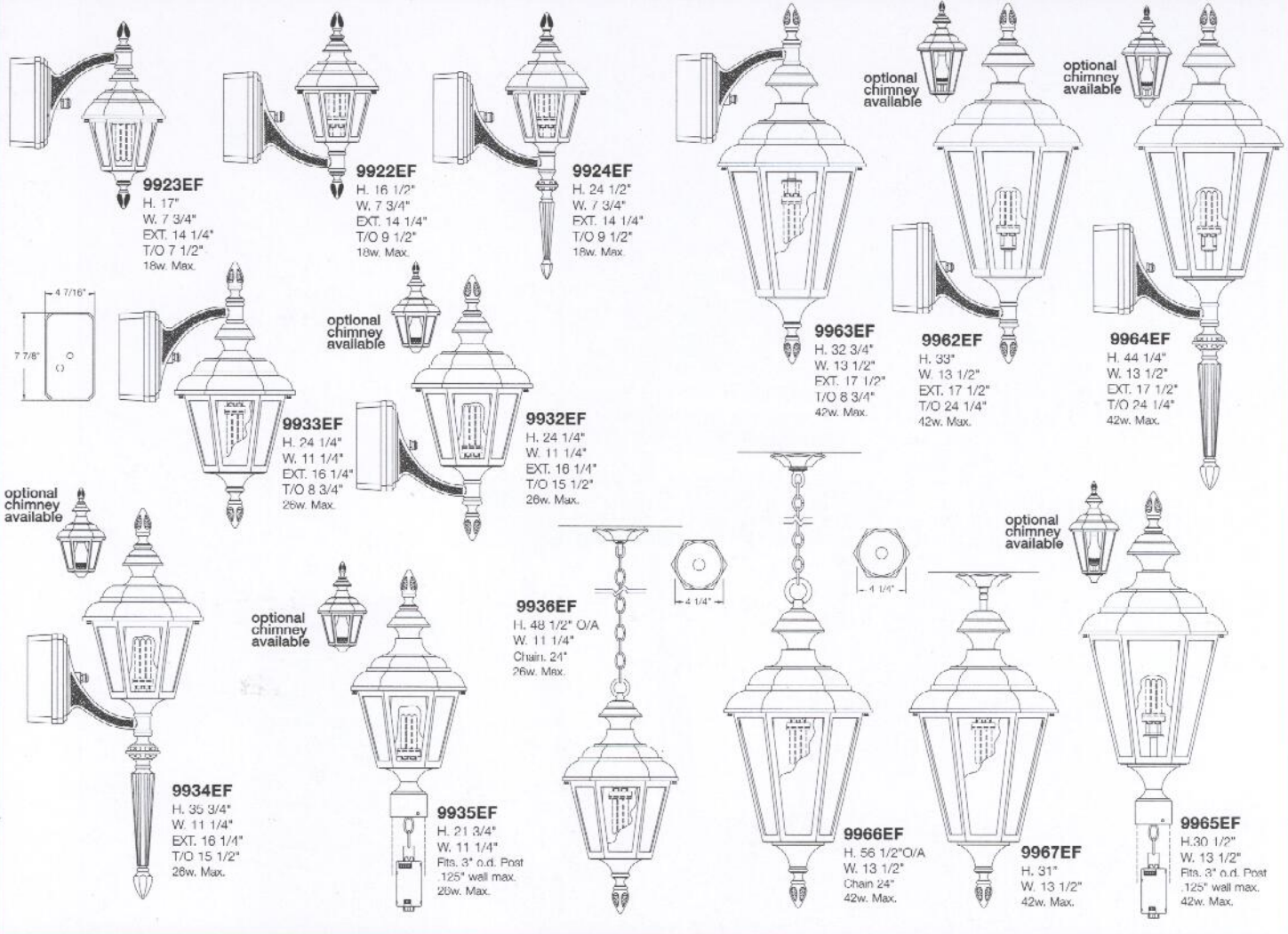
(Most styles are available with Electronic Fluorescent contact factory.)



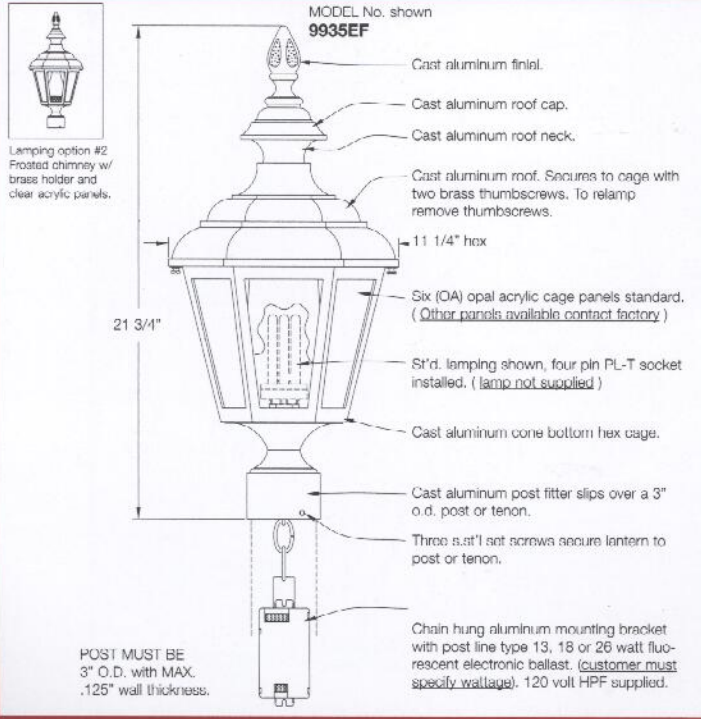
**ELECTRONIC FLUORESCENT
VALUE LINE - JAMESTOWN series**
13w. - 18w. - 26w. - 32w. 42w. available

Sitescape®
SITE • ROADWAY • AREA LIGHTING

FIXTURE SELECTION



SPECIFICATIONS



ORDERING GUIDE

To ensure prompt and efficient processing of your order, Please follow the sequence listed in the example below.

- SOURCE:** (factory installed, prewired & tested)
EF - electronic fluorescent
- ① **MODEL NO.:**
9922EF 9934EF 9964EF
9923EF 9935EF 9965EF
9924EF 9936EF 9966EF
9932EF 9962EF 9967EF
9933EF 9963EF
 - ② **FINISH:**
See page 3 for selection.
 - ③ **PANELS:**
CA-Clear acrylic
CG-Clear glass
OA-Opal acrylic
FG-Frosted glass
 - ④ **WATTAGE:**
EF-13-18-26-32-42
 - ⑤ **VOLTAGE:**
120/277v. HPF supplied
50hz or 60 hz
240v. available - contact factory.
 - ⑥ **OPTION:**
No. 2 - lamplung option
Frosted glass chimney and brass chimney holder with clear acrylic panels. (check fixture selection for optional lamplung)

① 9932EF ② BLK ③ OA ④ 26 ⑤ 120 ⑥ -

For post selection, see tabbed section P.
Accessories selection, see tabbed section A.

350 Kindig Lane, Hanover, PA 17331
Phone: (717) 632-6464
Fax: (717) 632-5039
Email: sales@hanoverlantern.com
Web: www.hanoverlantern.com

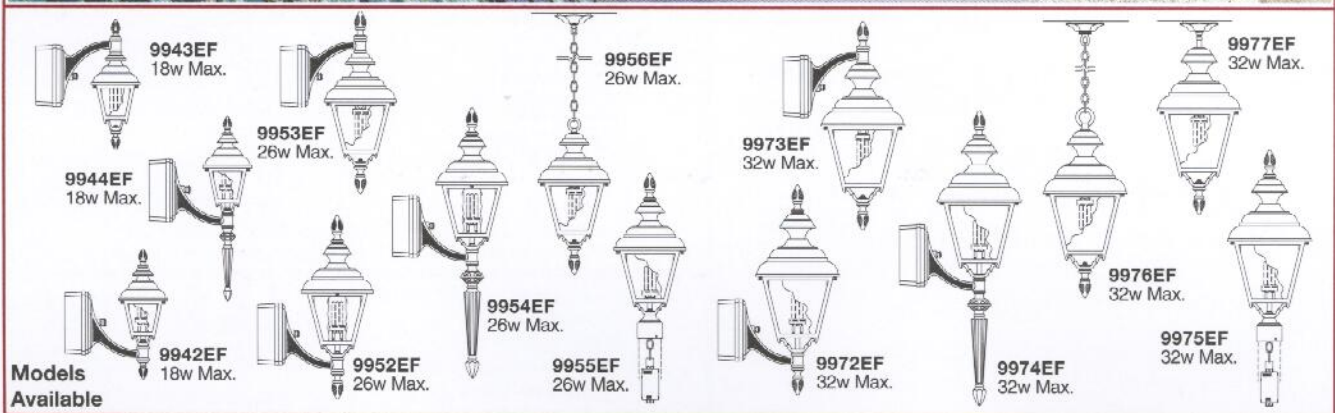
Hanover®
LANTERN
Handcrafted in the USA

**ELECTRONIC FLUORESCENT
VALUE LINE - PLYMOUTH series**
13w. - 18w. - 26w. - 32w. available

Sitescape®
SITE • ROADWAY • AREA LIGHTING



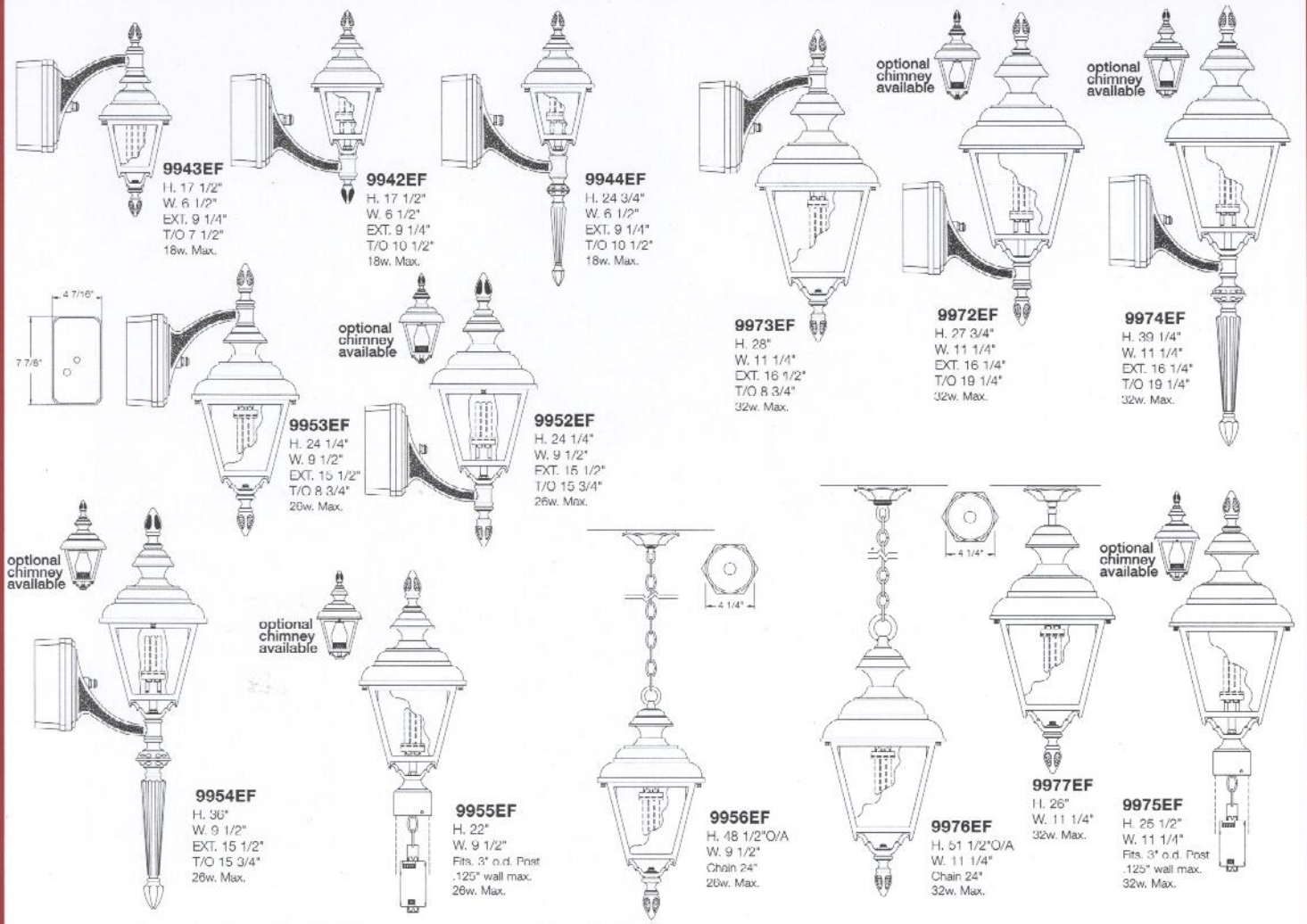
9974EF
H. 39¹/₄"
W. 11¹/₄"
EXT. 16¹/₄"
T/o 19¹/₄"
Finish shown-Rustic Bronze (RBZ)
No. 2 lamping position
(Most styles are available
with Electronic Fluorescent -
contact factory.)



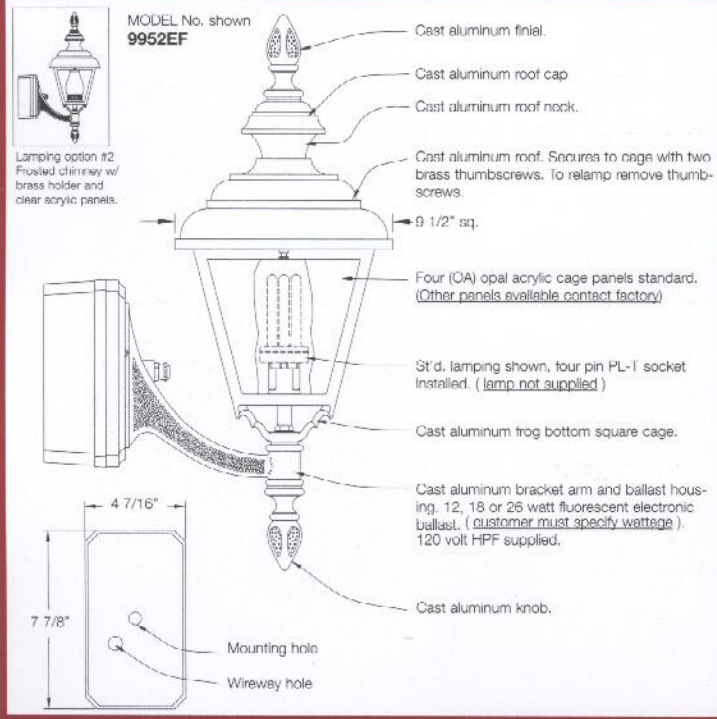
**ELECTRONIC FLUORESCENT
VALUE LINE - PLYMOUTH series**
13w. - 18w. - 26w. - 32w. available

Sitescape®
SITE • ROADWAY • AREA LIGHTING

FIXTURE SELECTION



SPECIFICATIONS



ORDERING GUIDE

To ensure prompt and efficient processing of your order, Please follow the sequence listed in the example below.

- SOURCE:** (factory installed, prewired & tested)
EF - electronic fluorescent
- ① **MODEL NO.:**
9942EF 9954EF 9974EF
9943EF 9955EF 9975EF
9944EF 9956EF 9976EF
9952EF 9972EF 9977EF
9953EF 9973EF
 - ② **FINISH:**
See page 3 for selection.
 - ③ **PANELS:**
CA-Clear acrylic
CG-Clear glass
OA-Opal acrylic
FG-Frosted glass
 - ④ **WATTAGE:**
EF-13-18-26-32
 - ⑤ **VOLTAGE:**
120/277v. HPF supplied
50hz or 60 hz
240v. available - contact factory.
 - ⑥ **OPTION:**
No. 2 - lamping option
Frosted glass chimney and brass chimney holder with clear acrylic panels. (check fixture selection for optional lamping)

① 9974EF ② RBZ ③ CA ④ 26 ⑤ 120 ⑥ 2

For post selection, see tabbed section P.
Accessories selection, see tabbed section A.

350 Kindig Lane, Hanover, PA 17331
Phone: (717) 632-6464
Fax: (717) 632-5039
Email: sales@hanoverlantern.com
Web: www.hanoverlantern.com

Hanover®
LANTERN
Handcrafted in the USA

ELECTRONIC FLUORESCENT

GEMINI - 7900 series

13w. - 18w. - 26w. available

Sitescape®

SITE • ROADWAY • AREA LIGHTING

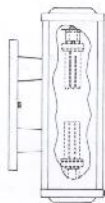


7999EF
H. 11 1/2"
W. 4 1/2" SQ.
EXT. 5"
T/O 4 1/4"
Finish shown-Almond (ALM)

(Most styles are available with Electronic Fluorescent - contact factory.)



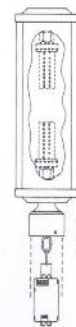
7999EF
13w Max.



7909EF
(2)-26w. Max. ea.



7920EF
(2)-26w. Max. ea.



7930EF
(2)-26w. Max. ea.

Models Available

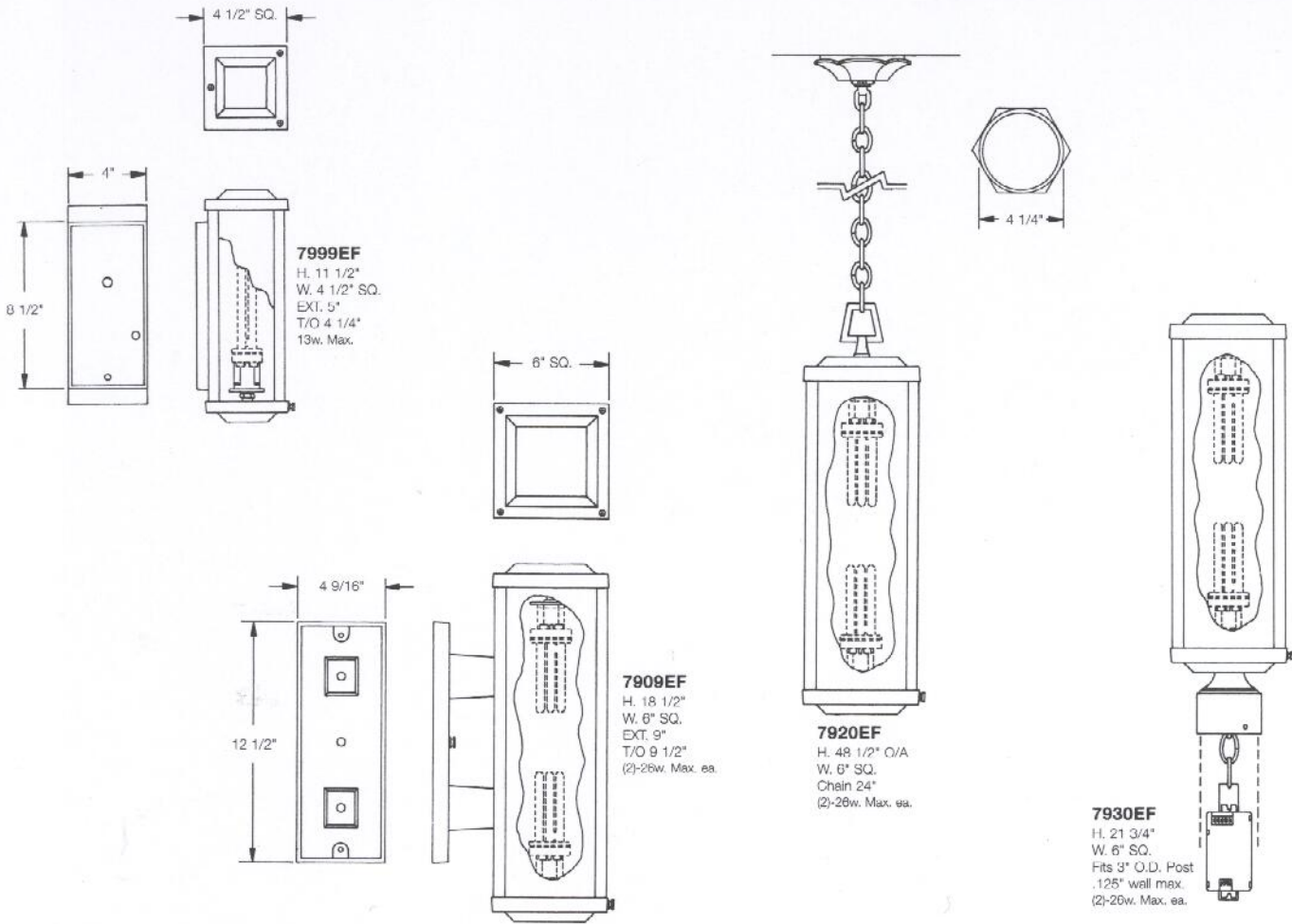
ELECTRONIC FLUORESCENT GEMINI - 7900 series

13w. - 18w. - 26w. available

Sitescape®

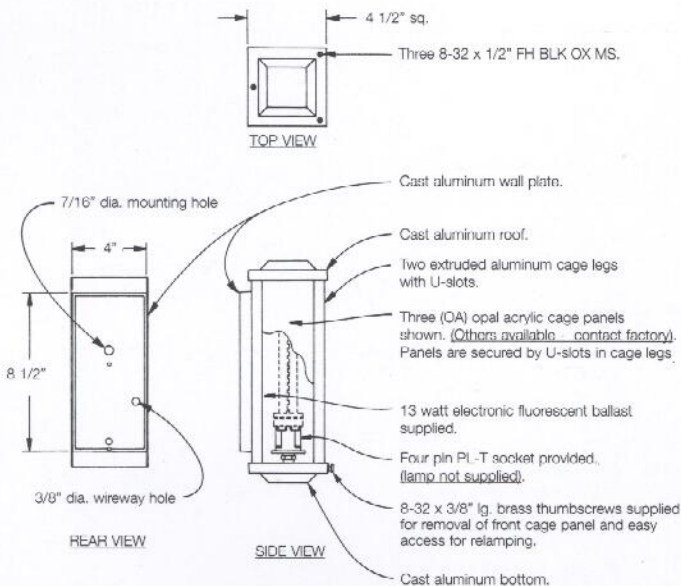
SITE • ROADWAY • AREA LIGHTING

FIXTURE SELECTION



SPECIFICATIONS

MODEL No. shown
7999EF



ORDERING GUIDE

To ensure prompt and efficient processing of your order, Please follow the sequence listed in the example below.

SOURCE: (factory installed, prewired & tested)
EF - electronic fluorescent

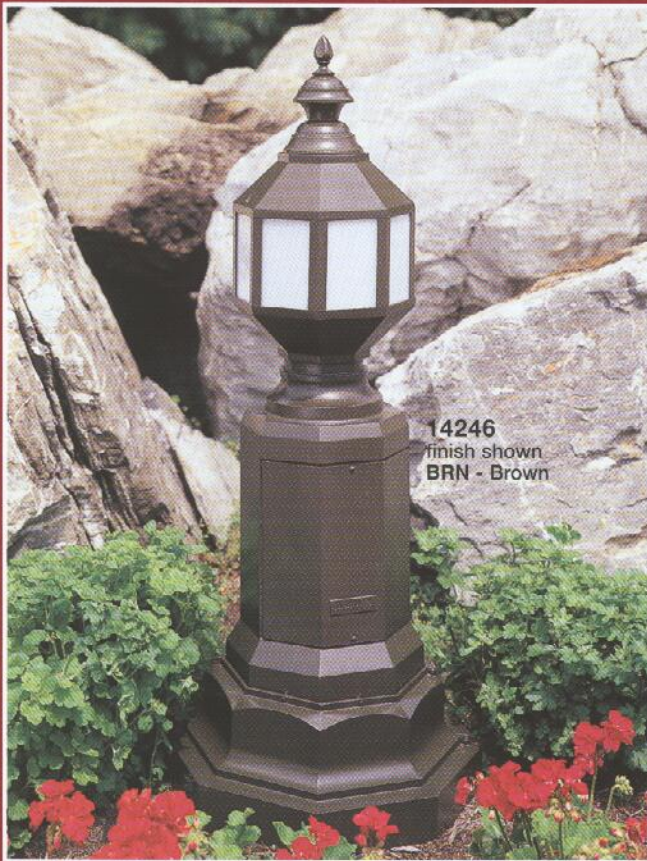
- | | |
|--|--|
| <p>① MODEL NO.: 7909EF 7920EF 7930EF 7999EF</p> | <p>④ WATTAGE: EF-13-18-26</p> |
| <p>② FINISH: See page 3 for selection.</p> | <p>⑤ VOLTAGE: 120/277v. HPF supplied 50hz or 60 hz 240v. available - contact factory.</p> |
| <p>③ PANELS: OA - Opal acrylic (standard) (others available - contact factory).</p> | |

① 7999EF ② ALM ③ OA ④ 13 ⑤ 120
For post selection, see tabbed section P.
Accessories selection, see tabbed section A.

350 Kindig Lane, Hanover, PA 17331
Phone: (717) 632-6464
Fax: (717) 632-5039
Email: sales@hanoverlantern.com
Web: www.hanoverlantern.com

Hanover®
LANTERN
Handcrafted in the USA

BOLLARDS



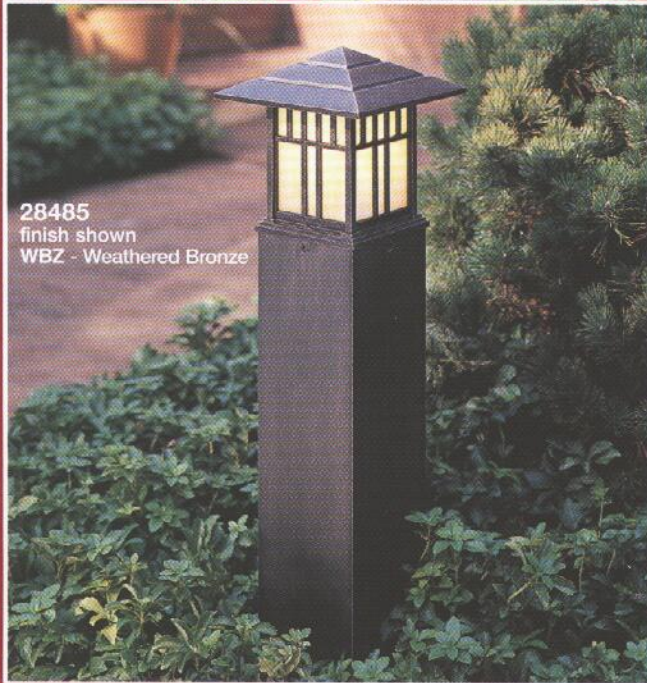
14246
finish shown
BRN - Brown



6385
finish shown
VGN - Verde



No. 36 LOUVER
PANEL FOR 6385
AND 6385EF
USE UP TO FOUR
PANELS PER
FIXTURE.



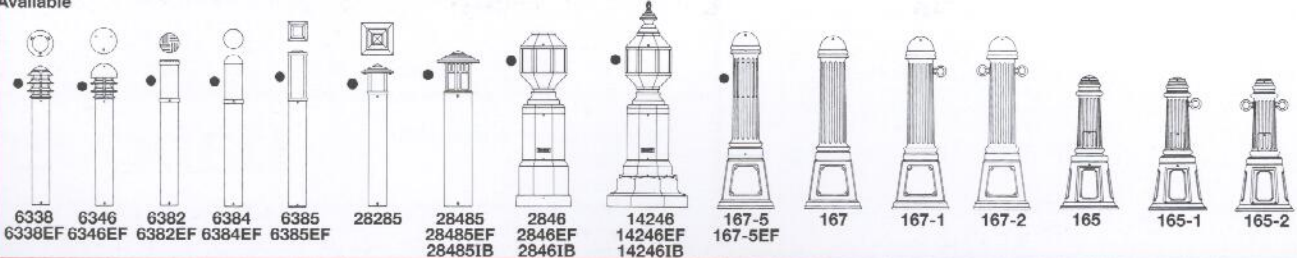
28485
finish shown
WBZ - Weathered Bronze



6346
finish shown
BLK - Black

Models Available

● DENOTES ILLUMINATED BOLLARD



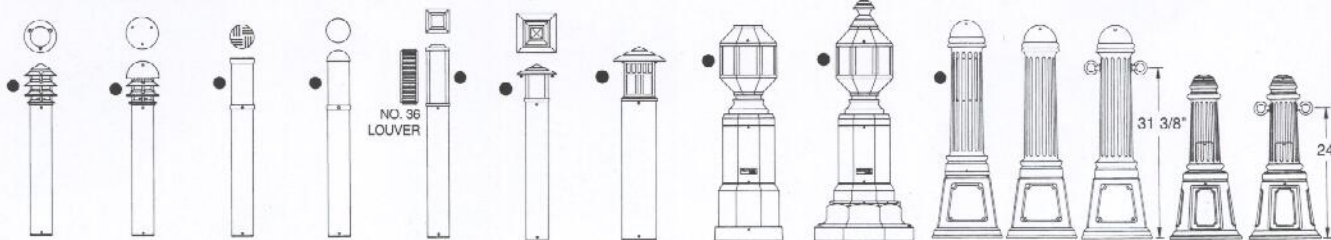
BOLLARDS

Sitescape®

SITE • ROADWAY • AREA LIGHTING

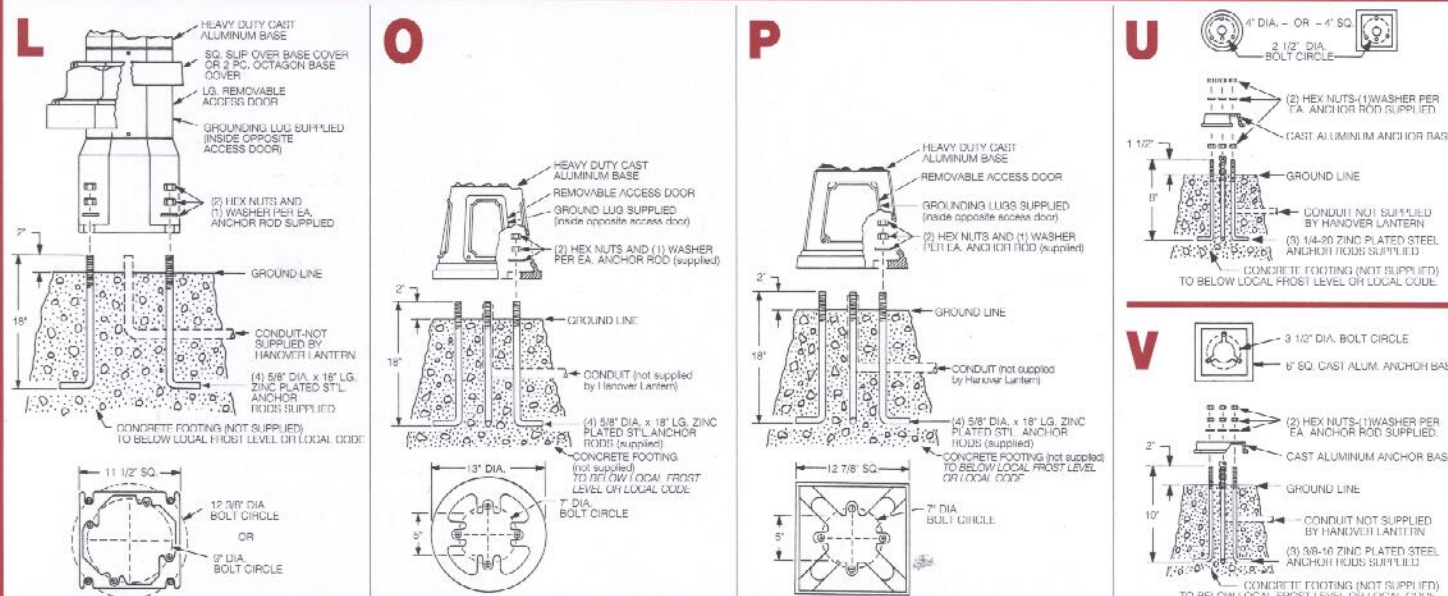
FIXTURE SELECTION

● DENOTES ILLUMINATED BOLLARD



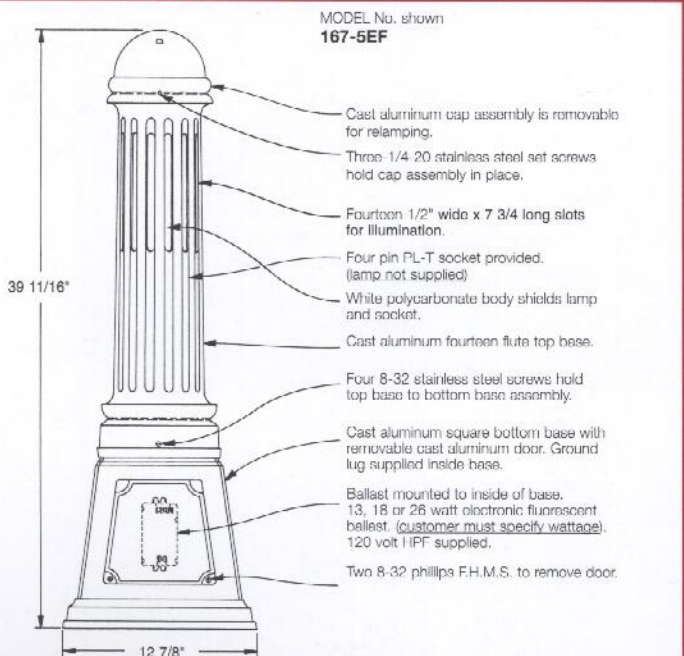
| Model/max. watts | 6338-100w. | 6346-100w. | 6382-40w. | 6384-40w. | 6385-40w. | 28285-40w. | 28485-60w. | 2846-75w. | 14246-75w. | 167-5-10w. | 167 | 167-1 | 165-1 |
|------------------|-------------|-------------|-------------|-------------|-------------|------------|--------------|-------------|--------------|--------------|----------|---------|---------|
| Incandescent | 6338EF-26w. | 6346EF-26w. | 6382EF-26w. | 6384EF-26w. | 6385EF-26w. | - | 28485EF-42w. | 2846EF-32w. | 14246EF-32w. | 167-5EF-26w. | No loops | 2-loops | 1-loop |
| E. Fluorescent | 6338EF-26w. | 6346EF-26w. | 6382EF-26w. | 6384EF-26w. | 6385EF-26w. | - | 28485EF-42w. | 2846EF-32w. | 14246EF-32w. | 167-5EF-26w. | No loops | 2-loops | 1-loop |
| MV-S-MH | - | - | - | - | - | - | 28485EF-42w. | 2846EF-32w. | 14246EF-32w. | 167-5EF-26w. | No loops | 2-loops | 1-loop |
| Height | 31 1/4" | 32" | 32 1/2" | 34" | 35 1/4" | 30 1/2" | 33 3/8" | 37 1/2" | 44 1/2" | 39 11/16" | 38 3/4" | 38 3/4" | 30" |
| Width | 6" Dia. | 6" Dia. | 4 1/4" Dia. | 4 1/2" Dia. | 4 1/2" Sq. | 7" Sq. | 19 1/8" Sq. | 11 3/4" Sq. | 11 3/4" Sq. | 12 7/8" | 12 7/8" | 12 7/8" | 13 1/8" |
| Base Detail | U | U | U | U | U | U | V | L | L | P | P | P | 0 |

BASE MOUNTING DETAILS



SPECIFICATIONS

ORDERING GUIDE



- To ensure prompt and efficient processing of your order, Please follow the sequence listed in the example below.
- SOURCE:**
(factory installed, prewired & tested).
INC.-incandescent
EF-electronic fluorescent
MV-mercury vapor
S-high pressure sodium
MH-metal halide
 - MODEL NO.:**
(see fixture selection at top of page).
 - FINISH:**
See page 3 for selection.
 - WATTAGE:**
(max. wattage listed with each fixture).
EF-13-18-26-32
MV-50-75-100
S-35-50-70-100
MH-50-70-100
 - VOLTAGE:**
MV-S-MH: 120v.-208v.-240v.-277v.
Electronic Fluorescent: 120v.-277v.

| | | | | |
|----|---------|-----|----|-----|
| ① | ② | ③ | ④ | ⑤ |
| EF | 167-5EF | BLK | 26 | 120 |

350 Kindig Lane, Hanover, PA 17331
 Phone: (717) 632-6464
 Fax: (717) 632-5039
 Email: sales@hanoverlantern.com
 Web: www.hanoverlantern.com

Hanover®
 LANTERN
Handcrafted in the USA

BOLLARDS

Sitescape®

SITE • ROADWAY • AREA LIGHTING



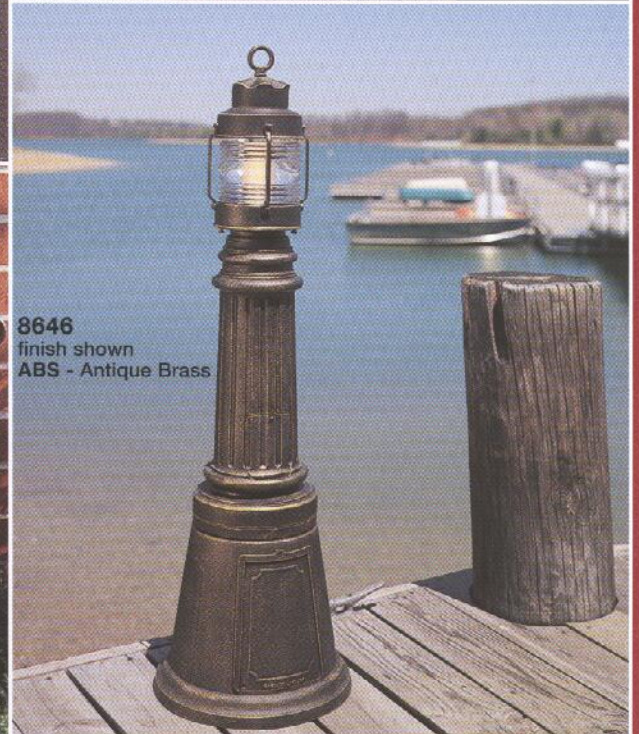
9046
finish shown
VGN - Verde



164-5
finish shown
FGN - Forest Green



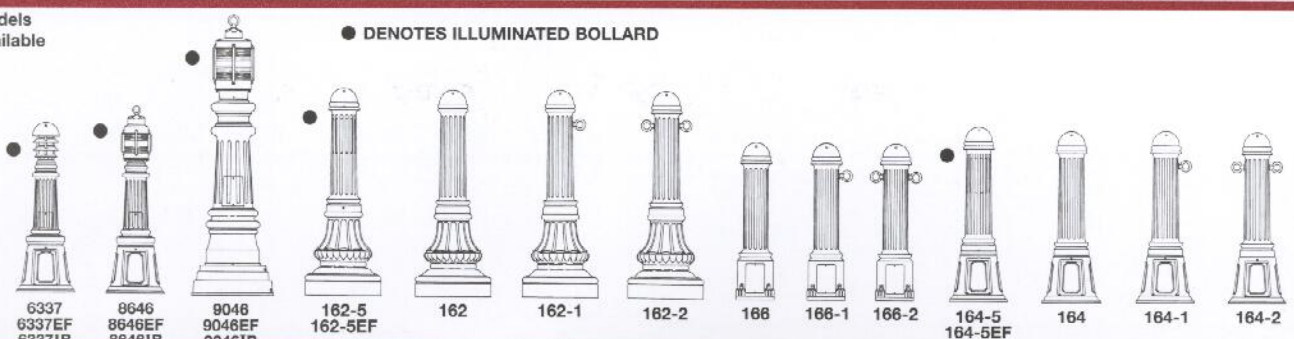
166-2
finish shown
BLK - Black



8646
finish shown
ABS - Antique Brass

Models Available

● DENOTES ILLUMINATED BOLLARD



6337
6337EF
6337IB

8646
8646EF
8646IB

9046
9046EF
9046IB

162-5
162-5EF

162

162-1

162-2

168

166-1

166-2

164-5
164-5EF

164

164-1

164-2

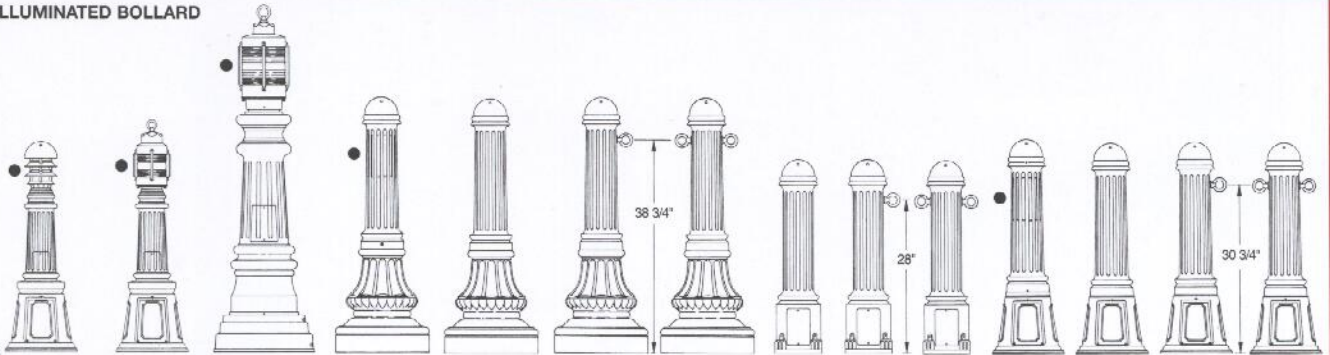
BOLLARDS

Sitescape®

SITE • ROADWAY • AREA LIGHTING

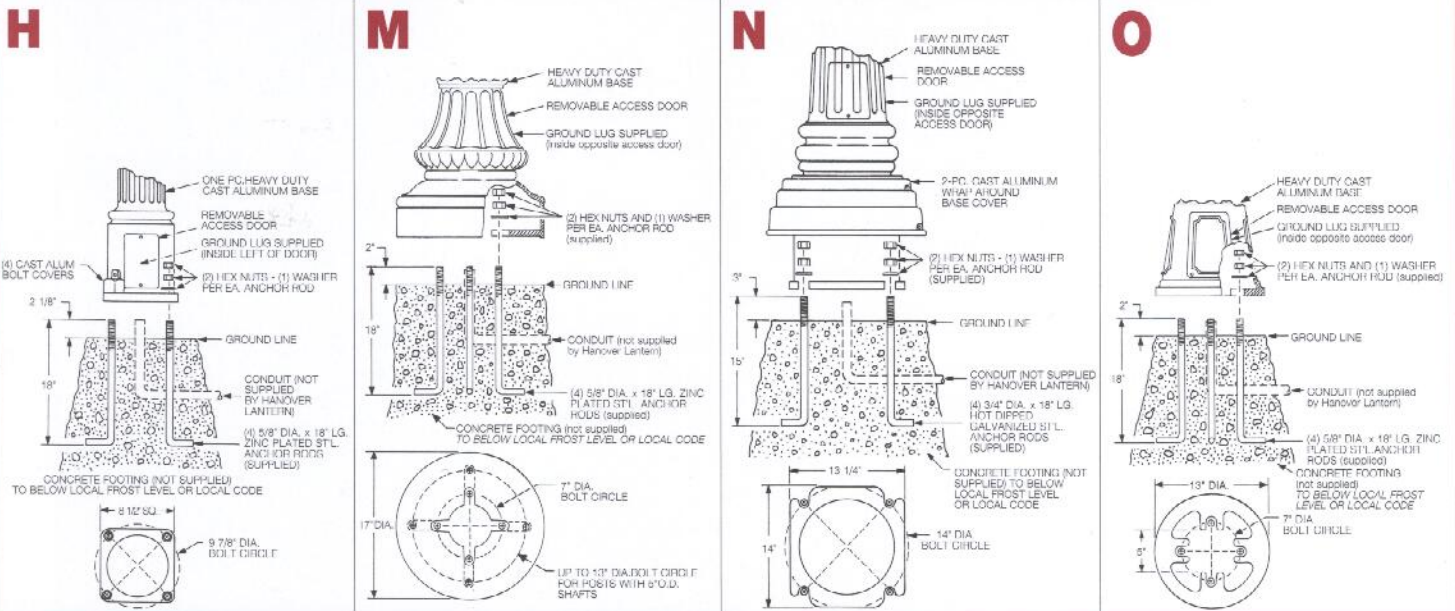
FIXTURE SELECTION

● DENOTES ILLUMINATED BOLLARD

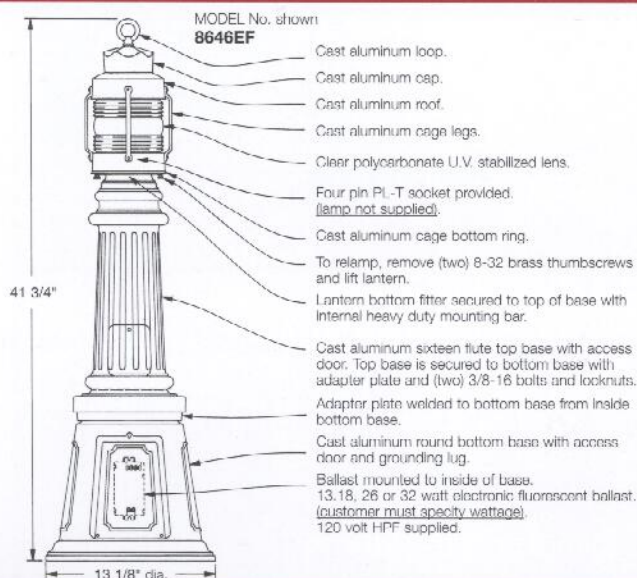


| Model/max. watts | 6337-100w. | 8646-60w. | 9046-100w. | 162-5-40w. | 162 | 162-1 | 162-2 | 166 | 166-1 | 166-2 | 164-5-40w. | 164 | 164-1 | 164-2 |
|------------------|--------------|--------------|--------------|--------------|----------|----------|----------|------------|------------|------------|--------------|--------------|--------------|--------------|
| Incandescent | 6337EF-26w. | 8646EF-32w. | 9046EF-42w. | 162-5EF-26w. | No loops | 1-loop | 2-loops | No loops | 1-loop | 2-loops | 164-5EF-26w. | No loops | 1-loop | 2-loops |
| E. Fluorescent | 6337IB-100w. | 8646IB-50w. | 9046IB-100w. | - | - | - | - | - | - | - | - | - | - | - |
| MV-S-MH | 6337IB-100w. | 8646IB-50w. | 9046IB-100w. | - | - | - | - | - | - | - | - | - | - | - |
| Height | 38 1/4" | 41 3/4" | 61 3/4" | 46 3/8" | 46 3/8" | 46 3/8" | 46 3/8" | 34 1/2" | 34 1/2" | 34 1/2" | 39 1/4" | 38 1/2" | 38 1/2" | 38 1/2" |
| Width | 13 1/8" Dia. | 13 1/8" Dia. | 18 1/2" Dia. | 17" Dia. | 17" Dia. | 17" Dia. | 17" Dia. | 8 1/2" Sq. | 8 1/2" Sq. | 8 1/2" Sq. | 13 1/8" Dia. | 13 1/8" Dia. | 13 1/8" Dia. | 13 1/8" Dia. |
| Base Detail | 0 | 0 | N | M | M | M | M | H | H | H | 0 | 0 | 0 | 0 |

BASE MOUNTING DETAILS



SPECIFICATIONS



ORDERING GUIDE

To ensure prompt and efficient processing of your order, Please follow the sequence listed in the example below.

- SOURCE:**
(factory installed, prewired & tested).
INC.-incandescent
EF-electronic fluorescent
MV-mercury vapor
S-high pressure sodium
MH-metal halide
 - MODEL NO.:**
(see fixture selection at top of page).
 - FINISH:**
See page 3 for selection.
 - WATTAGE:**
(max. wattage listed with each fixture).
EF-13-18-26-32-42
MV-50-75-100
S-35-50-70-100
MH-50-70-100
 - VOLTAGE:**
MV-S-MH: 120v.-208v.-240v.-277v.
Electronic Fluorescent: 120v.-277v.
- ① EF ② 8646EF ③ BLK ④ 32 ⑤ 120

350 Kindig Lane, Hanover, PA 17331
Phone: (717) 632-6464
Fax: (717) 632-5039
Email: sales@hanoverlantern.com
Web: www.hanoverlantern.com

Hanover®
LANTERN
Handcrafted in the USA

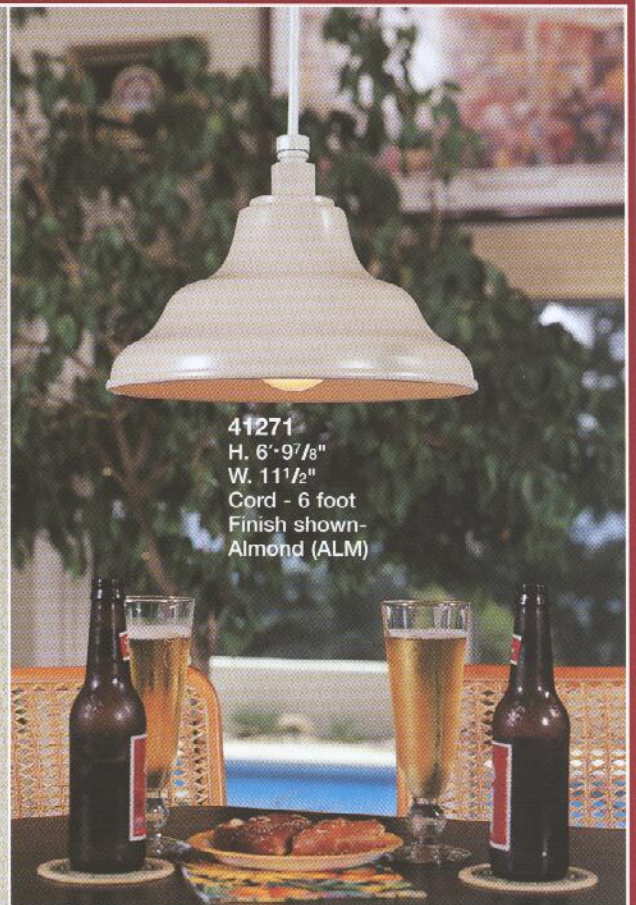
RLM

SHADES





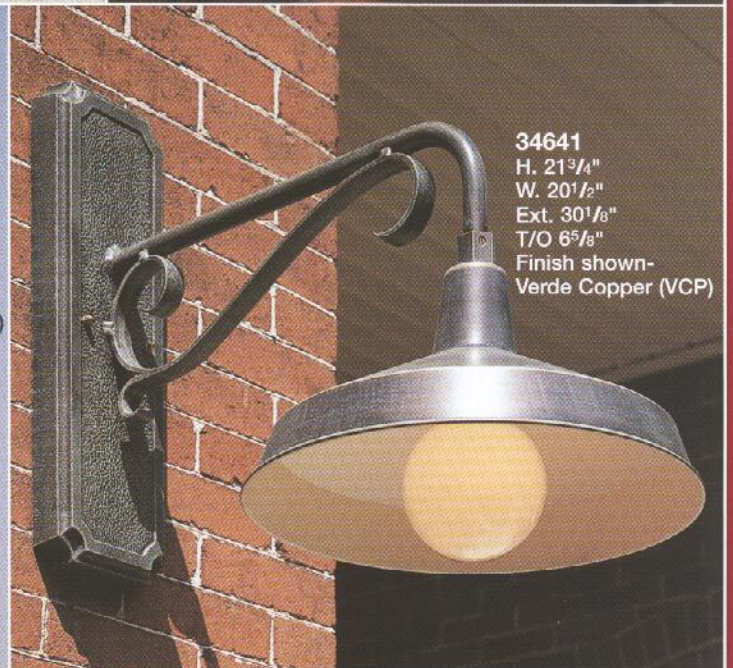
38451
 H. 20¹/₄"
 W. 18"
 Ext. 35⁷/₈"
 T/O 6³/₄"
 Finish shown
 Forest Green (FGN)



41271
 H. 6'-9⁷/₈"
 W. 11¹/₂"
 Cord - 6 foot
 Finish shown-
 Almond (ALM)



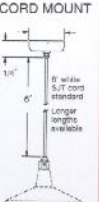
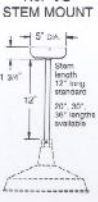
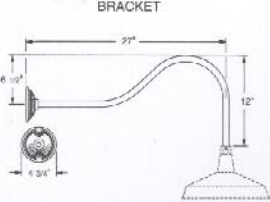
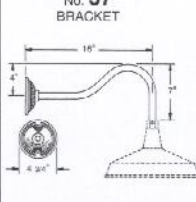
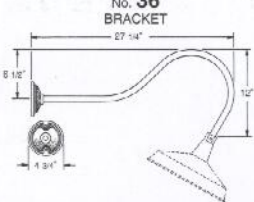
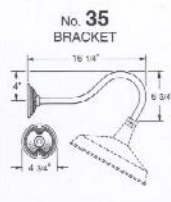
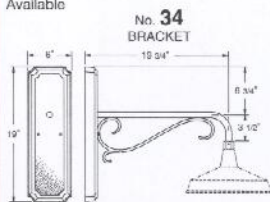
37241WG
 H. 15³/₄"
 W. 12³/₈"
 Ext. 22³/₈"
 T/O 4"
 Finish shown-
 Shadow burgundy (SBU)

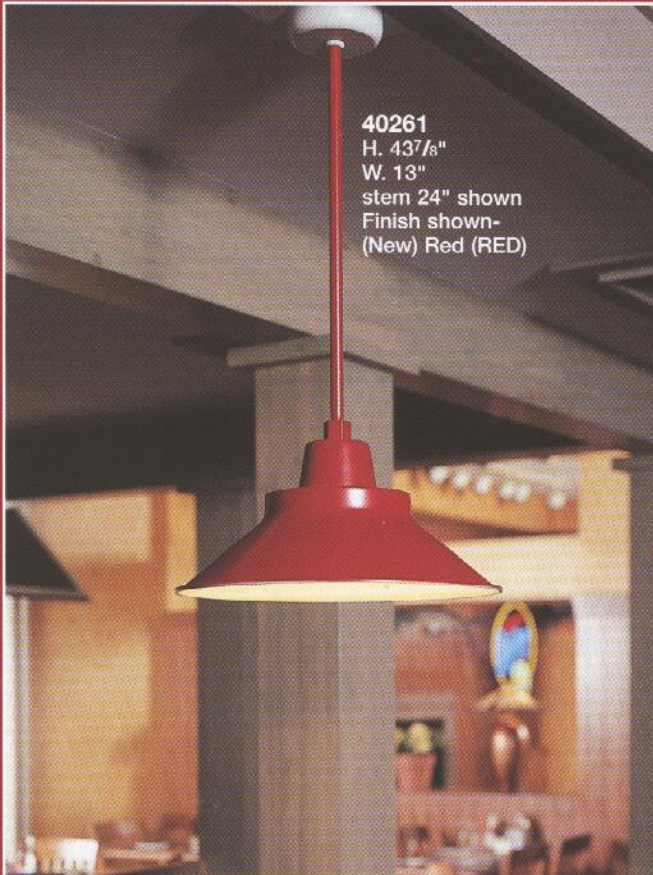


34641
 H. 21³/₄"
 W. 20¹/₂"
 Ext. 30¹/₈"
 T/O 6⁵/₈"
 Finish shown-
 Verde Copper (VCP)

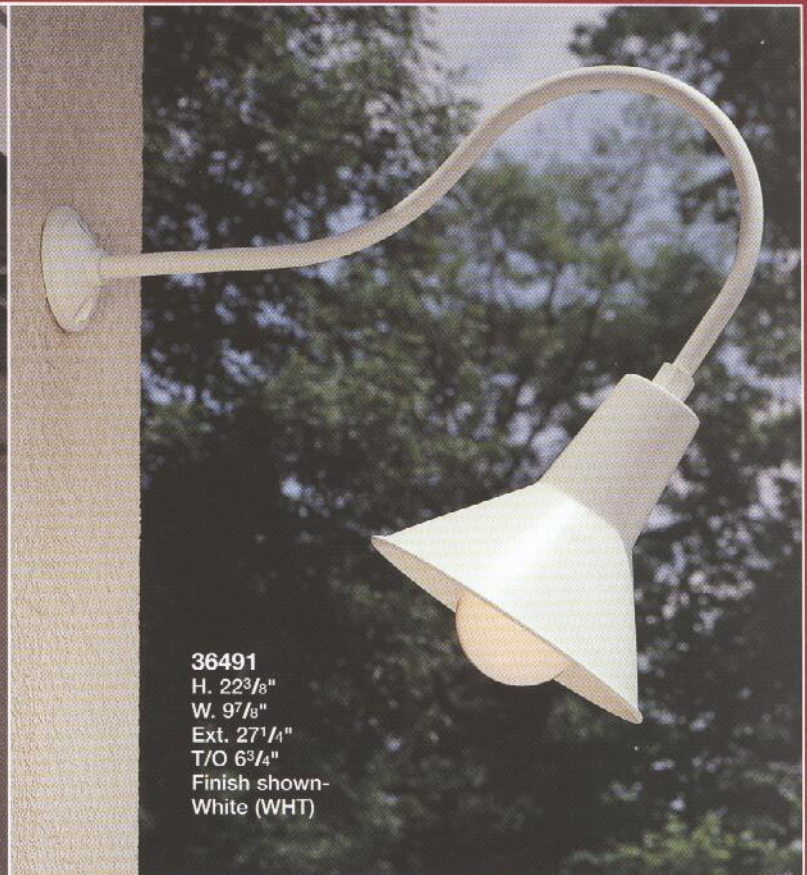
MOUNTING STYLES

Models Available





40261
H. 43⁷/₈"
W. 13"
stem 24" shown
Finish shown-
(New) Red (RED)



36491
H. 22³/₈"
W. 9⁷/₈"
Ext. 27¹/₄"
T/O 6³/₄"
Finish shown-
White (WHT)

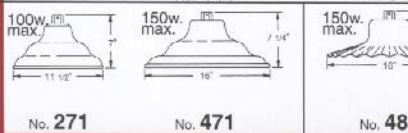
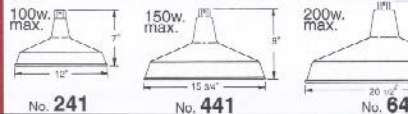


37681
H. 14¹/₈"
W. 19⁵/₈"
Ext. 25⁵/₈"
T/O 4"
Finish shown-
Shadow burgundy (SBU)

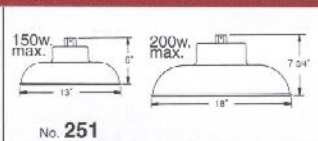
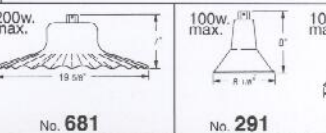
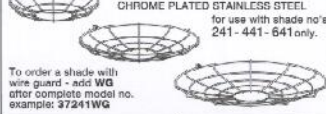


37492
H. 18"
W. 9⁷/₈"
Ext. 19¹/₂"
T/O 4"
Finish shown-
Forest Green (FGN)

SPUN ALUMINUM SHADES AVAILABLE



WIRE GUARDS

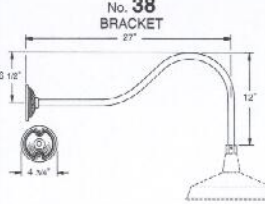
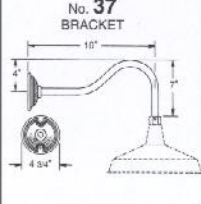
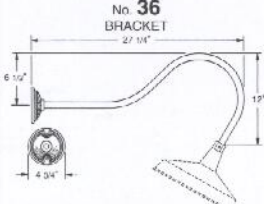
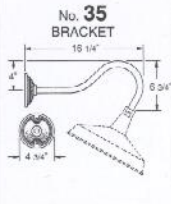
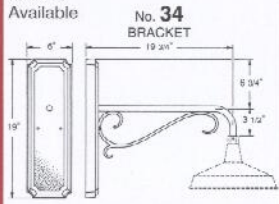


FIXTURE SELECTION

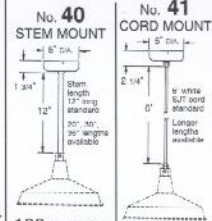
SELECT THE MOUNTING STYLE YOU PREFER, EXAMPLE NO. 37.
THEN SELECT THE STYLE AND SIZE SHADE YOU PREFER, EXAMPLE NO. 481. THE COMPLETE MODEL NO. WILL BE 37481.

MOUNTING STYLES

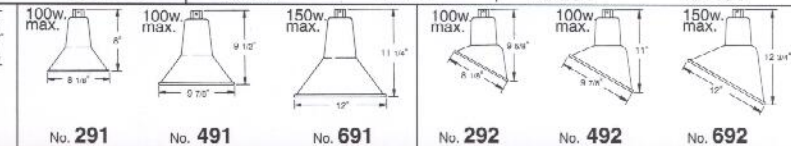
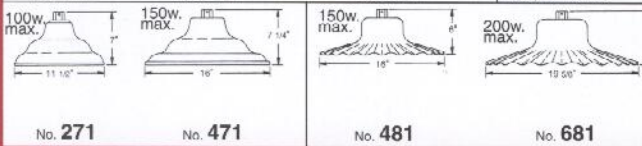
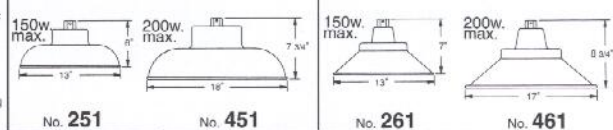
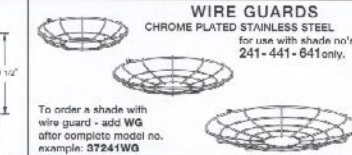
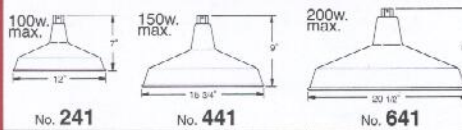
Models Available



FOR INDOOR USE

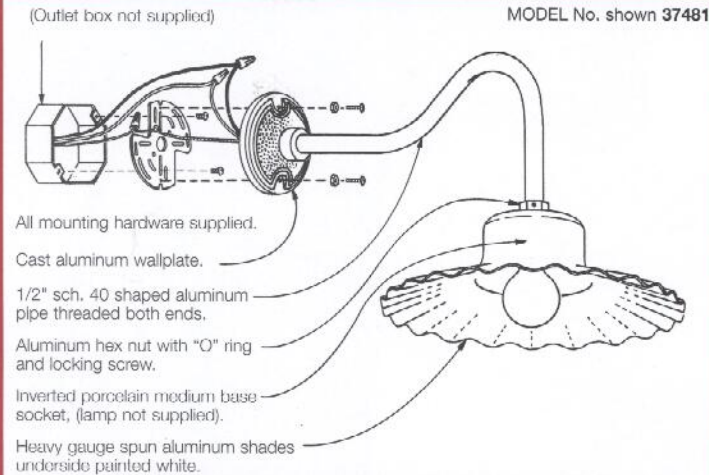


SPUN ALUMINUM SHADES AVAILABLE



SPECIFICATIONS

FEATURES



SOURCE:
INC.- Incandescent only, up to 200w. max.

FINISHES:
All Hanover Lantern finishes available, see page 3 for selection.
"RED" finish available for RLM fixtures only.

MOUNTING STYLES:
A variety of mounting configurations are offered to complement virtually any application.

SPUN SHADES:
Select from a variety of designs and sizes of heavy gauge spun aluminum shades, underside painted white.

(Scaled specification drawing of each complete model is available upon request.)

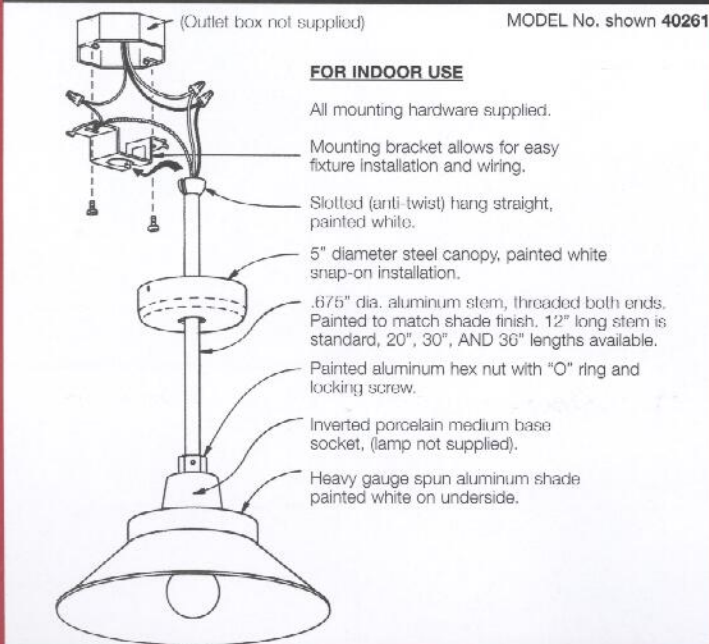
ORDERING GUIDE

To ensure prompt and efficient processing of your order, please follow the sequence listed in the example below.

| | | | | |
|---|---|---------------------|----------------------|-----|
| ① | MODEL NO.: (mounting style) | ACCESSORIES: | | |
| | 34 38 | WIRE GUARDS | | |
| | 35 40 | Part no. | For shade no. | |
| | 36 41 | 07-438-00 | 241 | |
| ② | MODEL NO.: (spun shades) | 37 | 07-439-00 | 441 |
| | | | 07-440-00 | 641 |
| | | 241 261 681 492 | | |
| | | 441 461 291 692 | | |
| | | 641 271 491 | | |
| ③ | FINISH: (see page 3 for selection, plus RED for RLM fixtures only.) | 251 471 691 | | |
| | | 451 481 292 | | |

① ②
37481

③
SBU

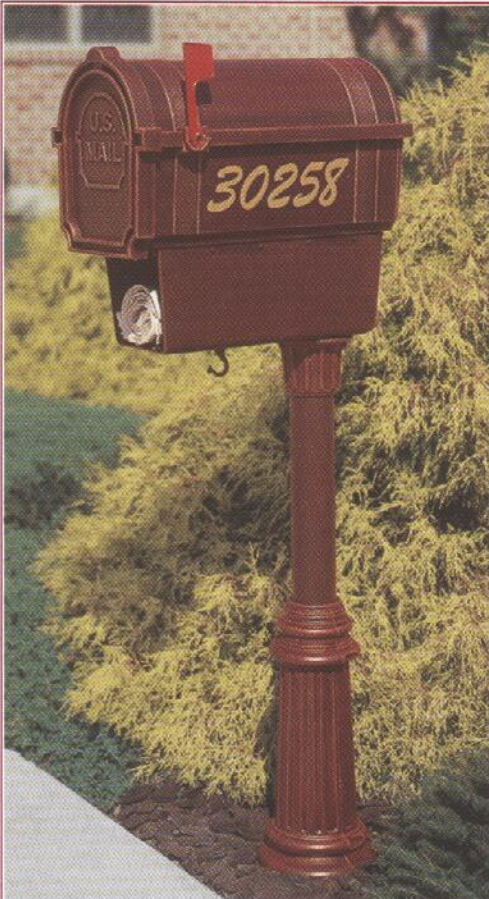


350 Kindig Lane, Hanover, PA 17331
Phone: (717) 632-6464
Fax: (717) 632-5039
Email: sales@hanoverlantern.com
Web: www.hanoverlantern.com

Hanover®
LANTERN
Handcrafted in the USA

Mailboxes

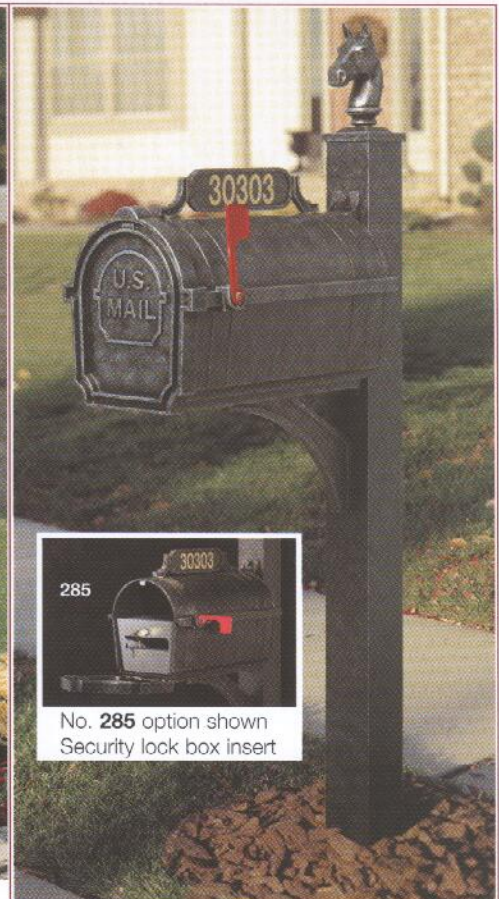
EACH MAILBOX CONFIGURATION IS MANUFACTURED WITH ALL COMPONENTS SHOWN. ANY MAILBOX CAN BE SUPPLIED WITH A DIFFERENT BASE OR POST TOP FINIAL.



Model **M61** Cast aluminum box and newsholder. Finish shown-Antique Red (ARD)



Model **M64S** Cast aluminum box, sign and scroll. Optional PC26 post cap and 340 6'-6" post. Finish shown-Antique Brass (ABS)



Model **M80S** Cast aluminum box, sign and bracket. Optional PC24 post cap. Finish shown-Granite (GRA)



Model **M68** 1½ size box with address sign. Finish shown-Forest Green (FGN)

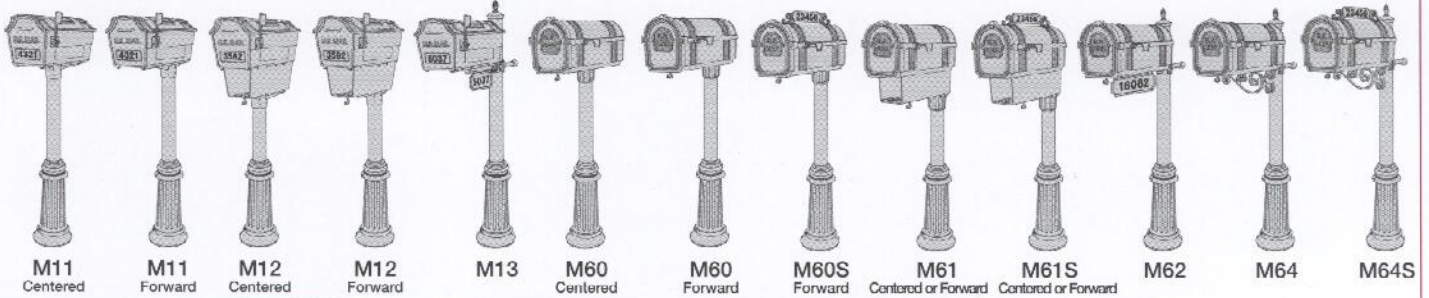


Model **M90** No 1½ size five cluster mailbox and sign configuration (optional PC28 post cap) Finish shown-Brown (BRN). (not illustrated on page M-2, contact factory).

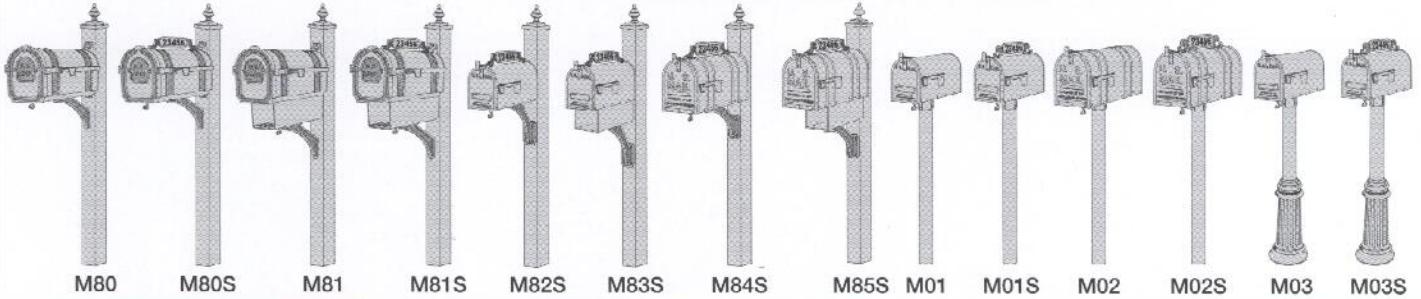
Mailbox, post and base configurations

EACH MAILBOX CONFIGURATION IS MANUFACTURED WITH ALL COMPONENTS SHOWN. ANY MAIL BOX CAN BE SUPPLIED WITH A DIFFERENT BASE OR POST TOP FINIAL.

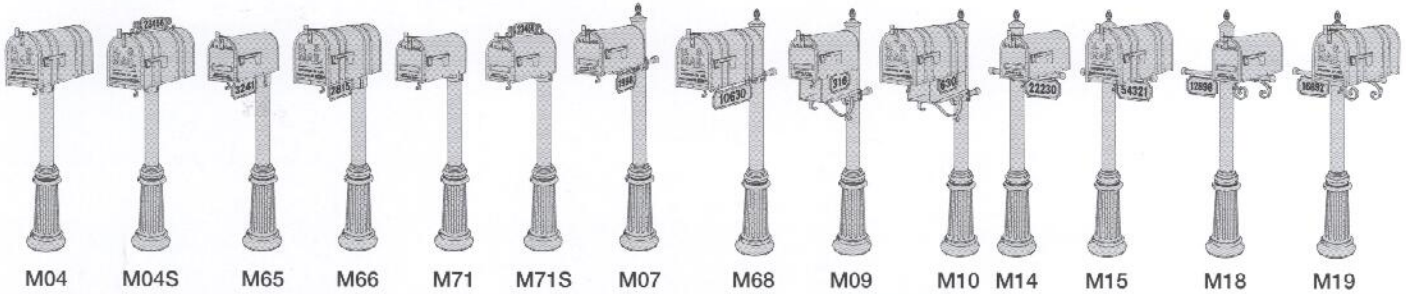
CAST ALUMINUM MAILBOX COMBINATIONS



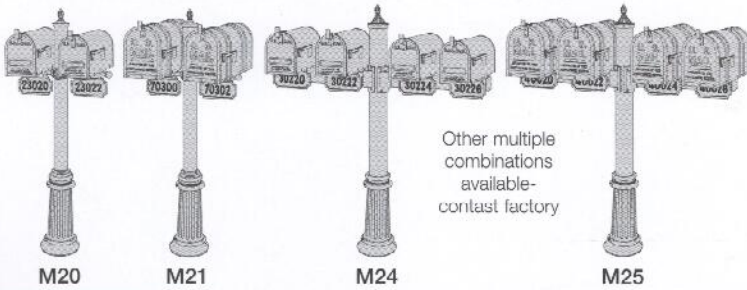
No. 1 and 1½ SIZE MAILBOX COMBINATIONS



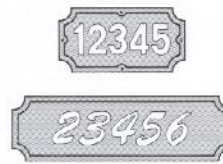
No. 1 and 1½ SIZE MAILBOX COMBINATIONS



MULTIPLE MAILBOX / SIGN COMBINATIONS



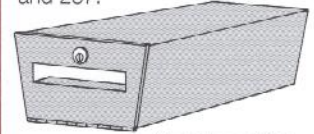
SIGN LETTERING



Commercial grade vinyl lettering available in 2 styles: Helvetica or Brush Script and 3 colors: Black, White or Gold

SECURITY LOCK BOX INSERT

Heavy gauge black anodized aluminum with lock and keys. Fits mailbox no's. M60, M60S, M61, M61S, M62, M64, M64S, M80, M80S, M81, M81S, 286 and 287.



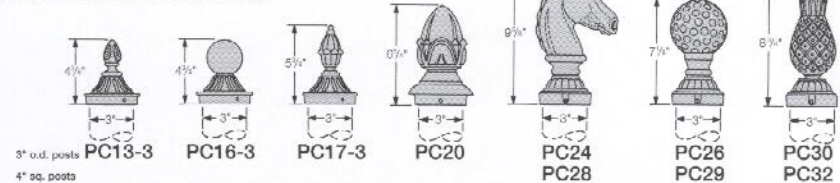
Model no. 285

WRAP AROUND BASE OPTIONS

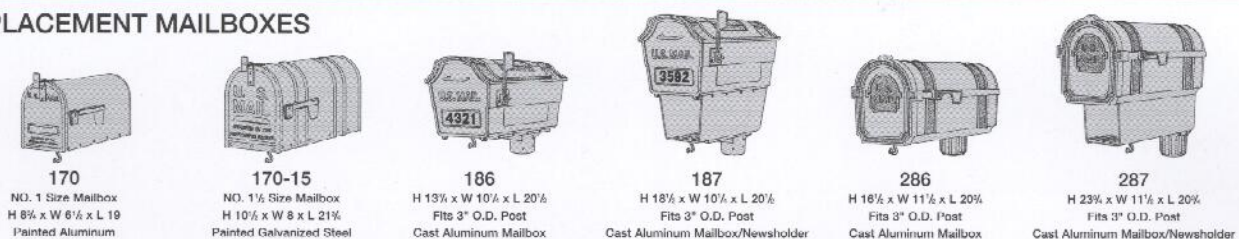


POST TOP CAPS AND FINIALS (cast aluminum)

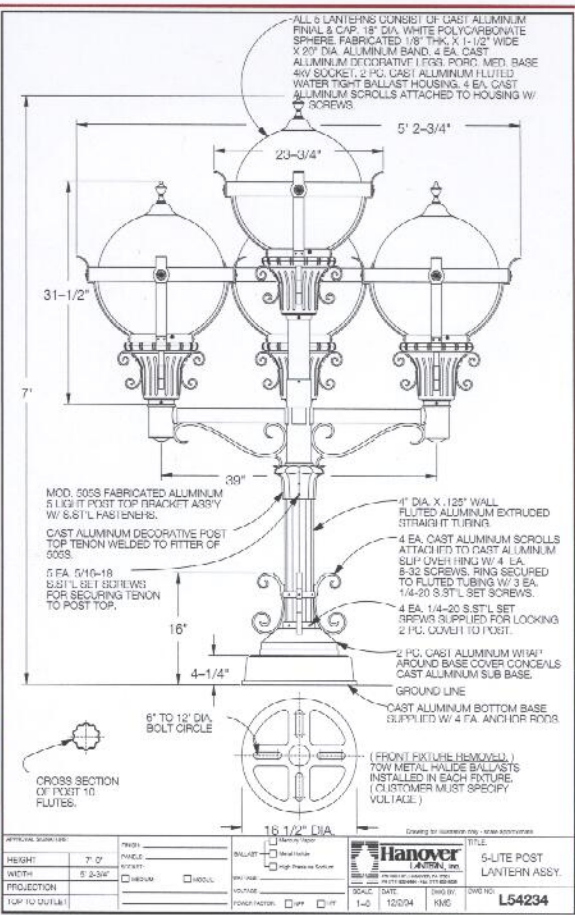
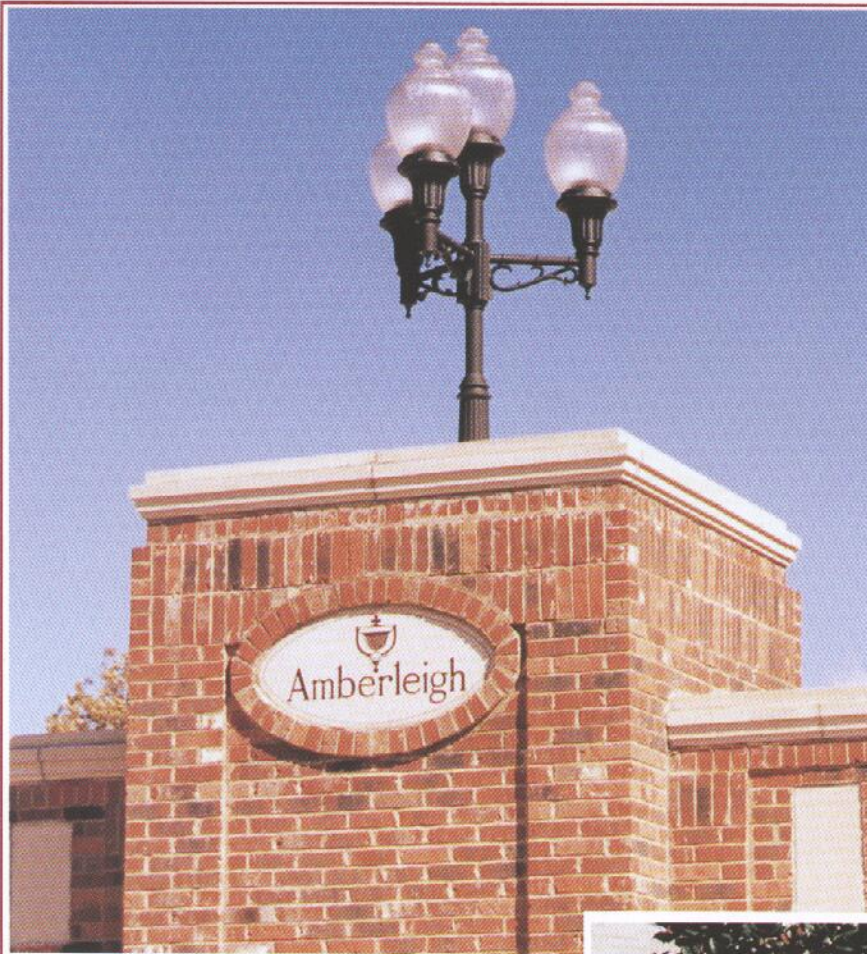
FOR 3" O.D. OR 4" SQUARE POSTS (Others available - contact factory)



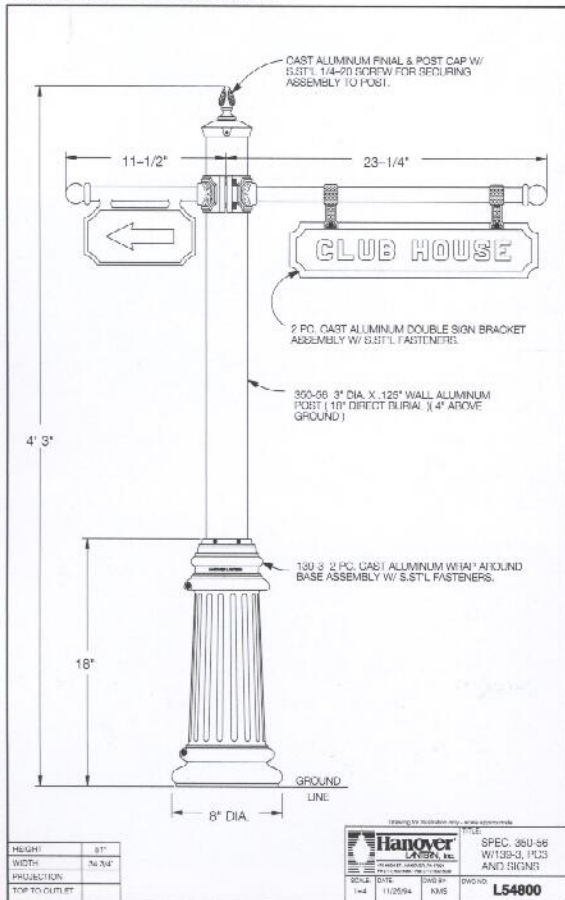
REPLACEMENT MAILBOXES



CUSTOM DESIGNS



CUSTOM PIER FIXTURE WITH (4) 2170BP GLOBES, Amberleigh Monuments - Chesterfield, MO

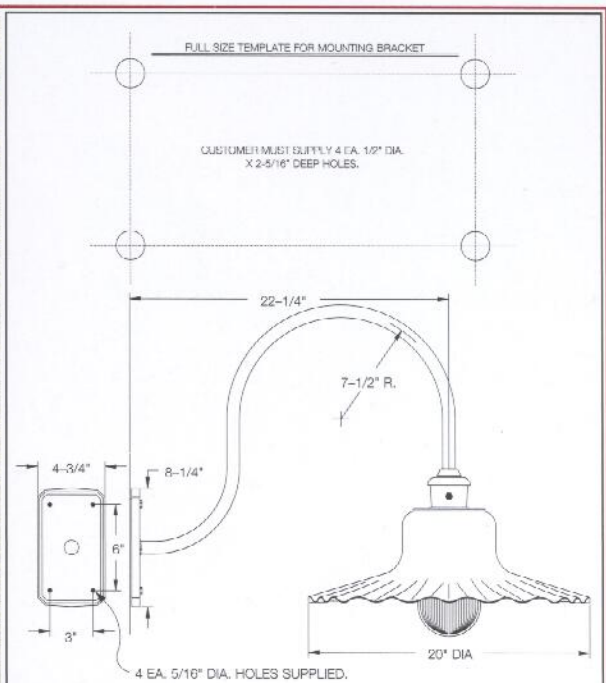


L56130 - CUSTOM SIGN WITH CUSTOMERS LOGO. Ballantyne Country Club - Pineville, NC

CUSTOM DESIGNS



L53410 - CUSTOM H.I.D. GLOBE BRACKET FIXTURE.
Safeway Market - Portland, OR

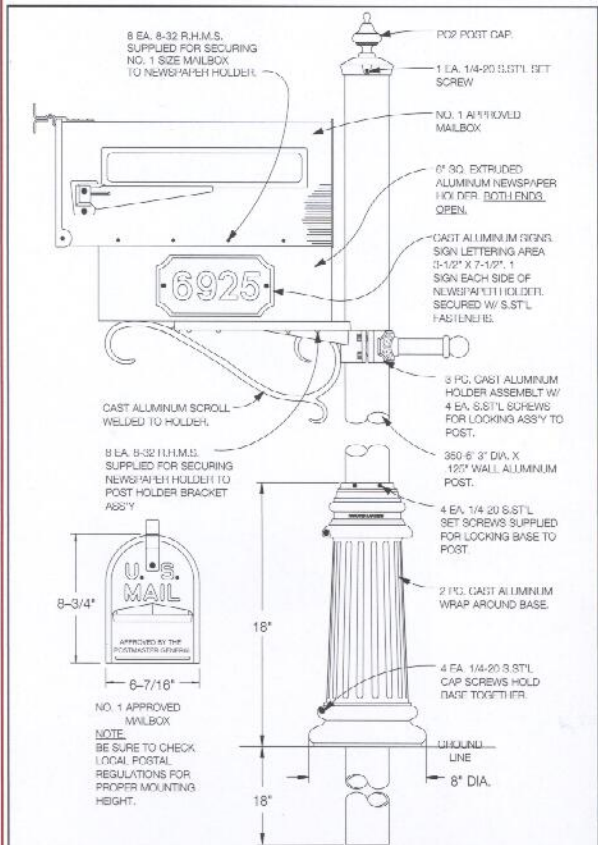


BRACKET CONSISTS OF CAST ALUMINUM WALLPLATE SUPPLIED W/ 4 EA. 1/4" X 3" LG. LAG BOLTS W/ 1/4" CAST ZINC LAG SHIELDS. (CUSTOMER MUST SUPPLY 4 EA. 1/2" DIA. X 2 5/16" DEEP HOLES ON SPACING SHOWN FOR HOLES ON WALLPLATE & TEMPLATE SHOWN ABOVE.) BENT BRACKET ARM CONSISTS OF 1/2" SCH 40 ALUMINUM PIPE WELDED TO WALLPLATE & CAST ALUMINUM SPLICING COUP.
LANTERN CONSISTS OF SPUN ALUMINUM SCALLOPED SHADE W/ UNDER SIDE PAINTED W/ ILL. 13 WALL FLUORESCENT BALLAST SUPPLIED. (LAMP NOT SUPPLIED) LAMP TYPE SHOULD BE PENNSYLVANIA 20451 F130T7/27K DOUBLE TWIN TUBE THREADED VAPOR TIGHT PRISMATIC LAMP-HELD GLASS GLOBE.

LANTERN IS PREWIRED & TESTED.
ALL ELECTRICAL COMPONENTS ARE U.L. LISTED.

| | | | | | | | | |
|--------------------|-----|------|---------|----------|------|---------|------|---------|
| APPROVAL SIGNATURE | | DATE | PROJECT | DESIGNER | DATE | PROJECT | DATE | PROJECT |
| HEIGHT | 24" | | | | | | | |
| WIDTH | 20" | | | | | | | |
| PROJECTION | 32" | | | | | | | |
| TOP TO OUTLET | 12" | | | | | | | |

Hanover LANTERN, INC.
 SPEC. SCALLOPED SHADE WALL BRACKET LANTERN
L55930



L55661 - CUSTOM CAST ALUMINUM MAILBOX/NEWS HOLDER AND POST ASSEMBLY. Bandanna Ranch - Bandanna, PA

| | | | | | | | | |
|--------------------|---------|------|---------|----------|------|---------|------|---------|
| APPROVAL SIGNATURE | | DATE | PROJECT | DESIGNER | DATE | PROJECT | DATE | PROJECT |
| HEIGHT | 57 5/8" | | | | | | | |
| WIDTH | 24" | | | | | | | |
| PROJECTION | 32" | | | | | | | |
| TOP TO OUTLET | 12" | | | | | | | |

Hanover LANTERN, INC.
 SINGLE MAILBOX NEWS/PAINT HOLDER AND POST ASSY
L53886

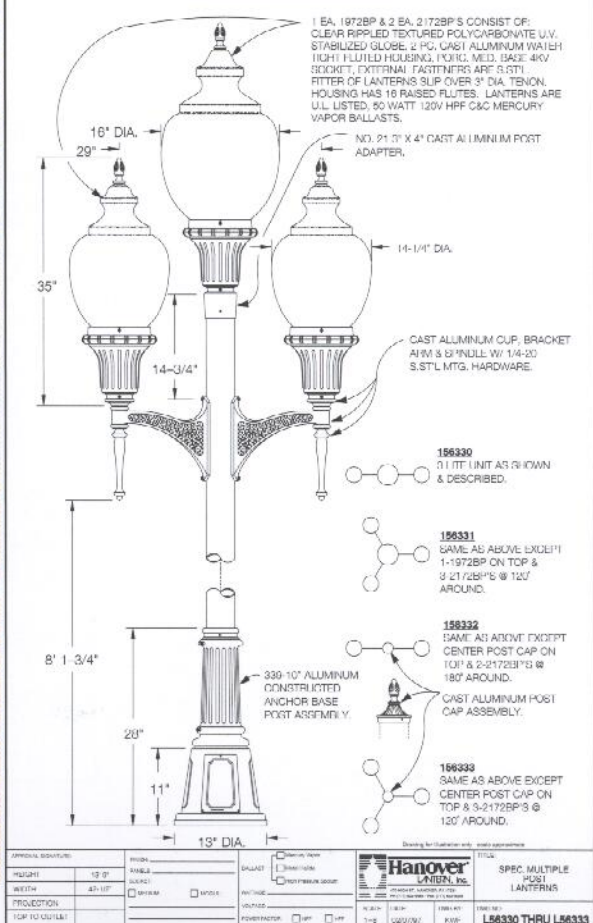
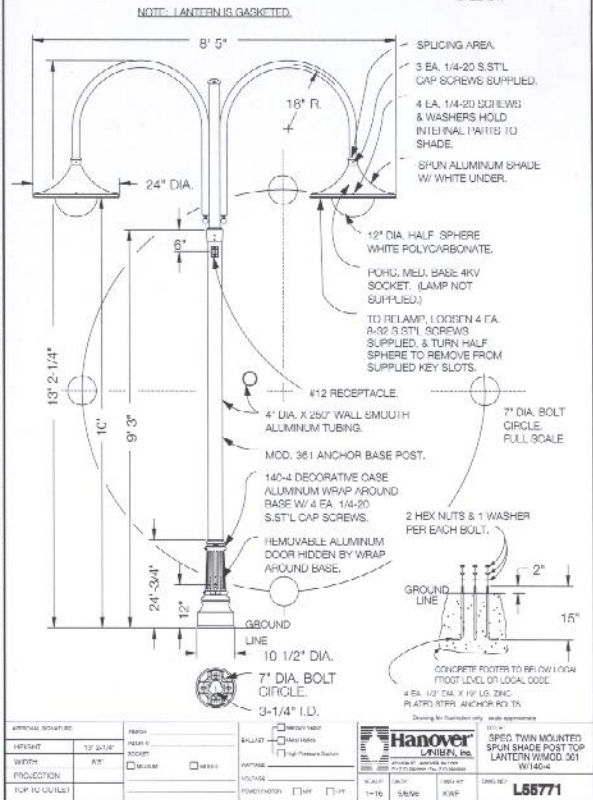
CUSTOM DESIGNS



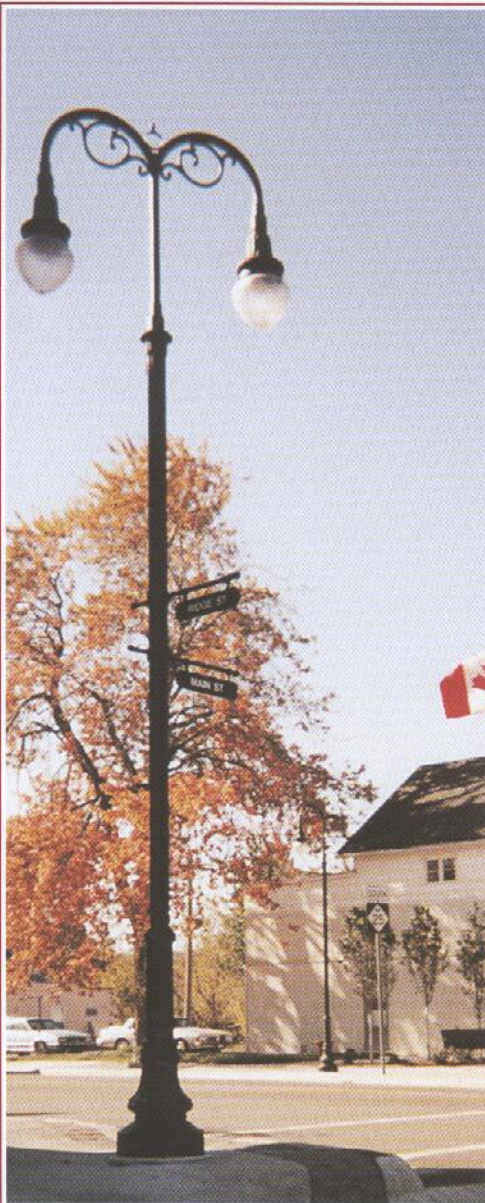
L41917 - CUSTOM INVERTED 2250BP'S ON A 2-LITE POST TOP BRACKET AND A 339-16' ANCI IOR BASE POST. Farragut Farms - Knoxville, TN

TWIN SIDE MOUNT POST TOP ASS'Y CONSISTS OF: 3" DIA. X .125" WALL X 41" LG. ALUMINUM TUBING CENTER HUB WELDED TO CAST ALUMINUM HUB FITTER. CAST ALUMINUM 10" CENTER HUB FITTER CENTER HUB WELDED TO 2" DIA. X .125" WALL BENT ARMS. CAST ALUMINUM CAPS WELDED TO ENDS OF BENT ARMS. 1 1/2" BALLS W/ NECKS ATTACHED TO CAPS. 2 EA. CAST ALUMINUM SLIDING CLIPS WELDED TO BENT ARMS.

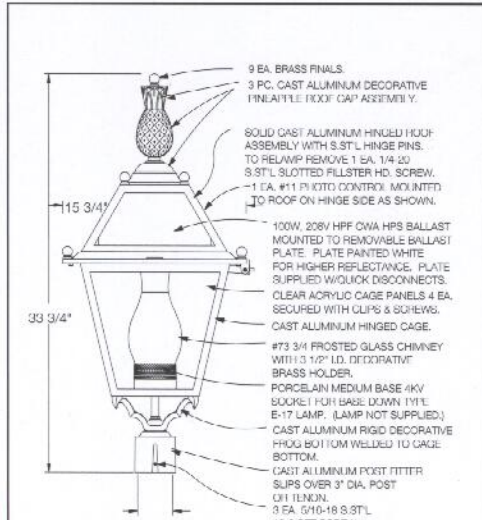
100W H.P.S.
120V POSTLINE
BALLAST.



CUSTOM DESIGNS



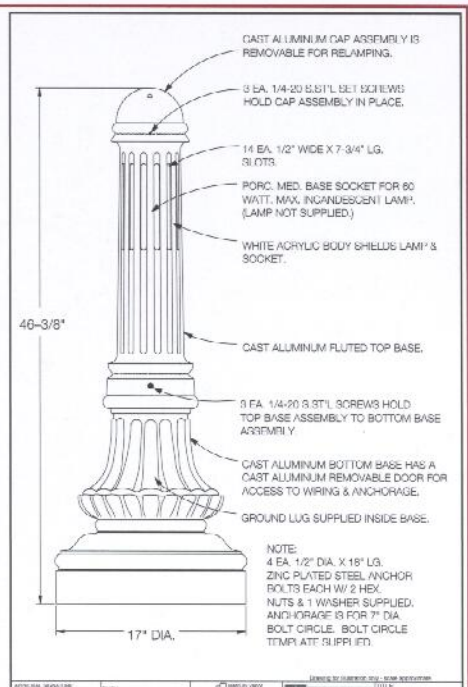
L63760 - CUSTOM 2 LITE POST TOP BRACKET - (2) 2250BP'S ON A 303-14" ANCHOR BASE POST, Port Sanilac, MI



L50170 LANTERN AS SHOWN AND DESCRIBED.
L50171 SAME AS L50170 WITH 150W, 208V HPF CWA HPS

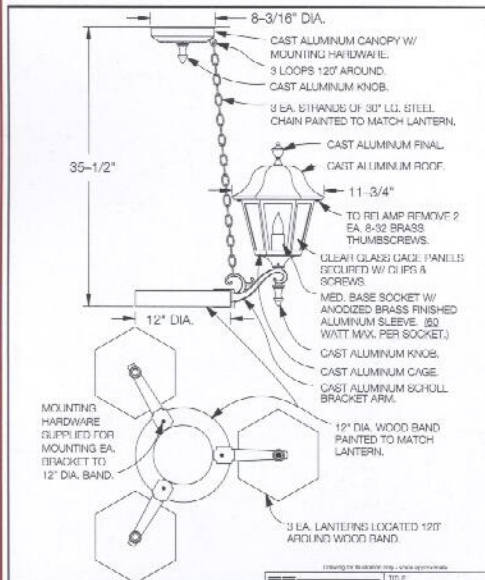
- NOTE:
1. LANTERN IS PREWIRED AND TESTED.
 2. ALL ELECTRICAL COMPONENTS ARE U.L. LISTED.
 3. ALL CAST ALUMINUM PARTS ARE #318 ALLOY.
 4. LANTERN HAS ZINC CHROMATE PRIMER.

| | | | | | | | | | |
|--------------------|-------|------------|-------------|-------|-------|----|------|------|--|
| APPROVAL SIGNATURE | DATE | PROJECT | DESCRIPTION | SCALE | DATE | BY | DATE | BY | |
| | 03/04 | 1018136 | | 1:1 | 03/04 | | | | |
| DRAWING BY | | CHECKED BY | | DATE | | BY | | DATE | |
| L50170 & L50171 | | | | | | | | | |



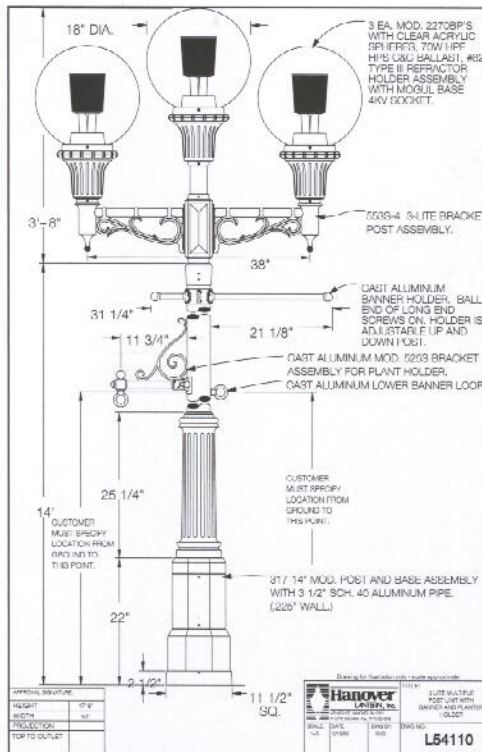
L56250

| | | | | | | | | | |
|--------------------|------|------------|-------------|-------|------|----|------|------|--|
| APPROVAL SIGNATURE | DATE | PROJECT | DESCRIPTION | SCALE | DATE | BY | DATE | BY | |
| | | | | | | | | | |
| DRAWING BY | | CHECKED BY | | DATE | | BY | | DATE | |
| L56250 | | | | | | | | | |



L56270

| | | | | | | | | | |
|--------------------|------|------------|-------------|-------|------|----|------|------|--|
| APPROVAL SIGNATURE | DATE | PROJECT | DESCRIPTION | SCALE | DATE | BY | DATE | BY | |
| | | | | | | | | | |
| DRAWING BY | | CHECKED BY | | DATE | | BY | | DATE | |
| L56270 | | | | | | | | | |



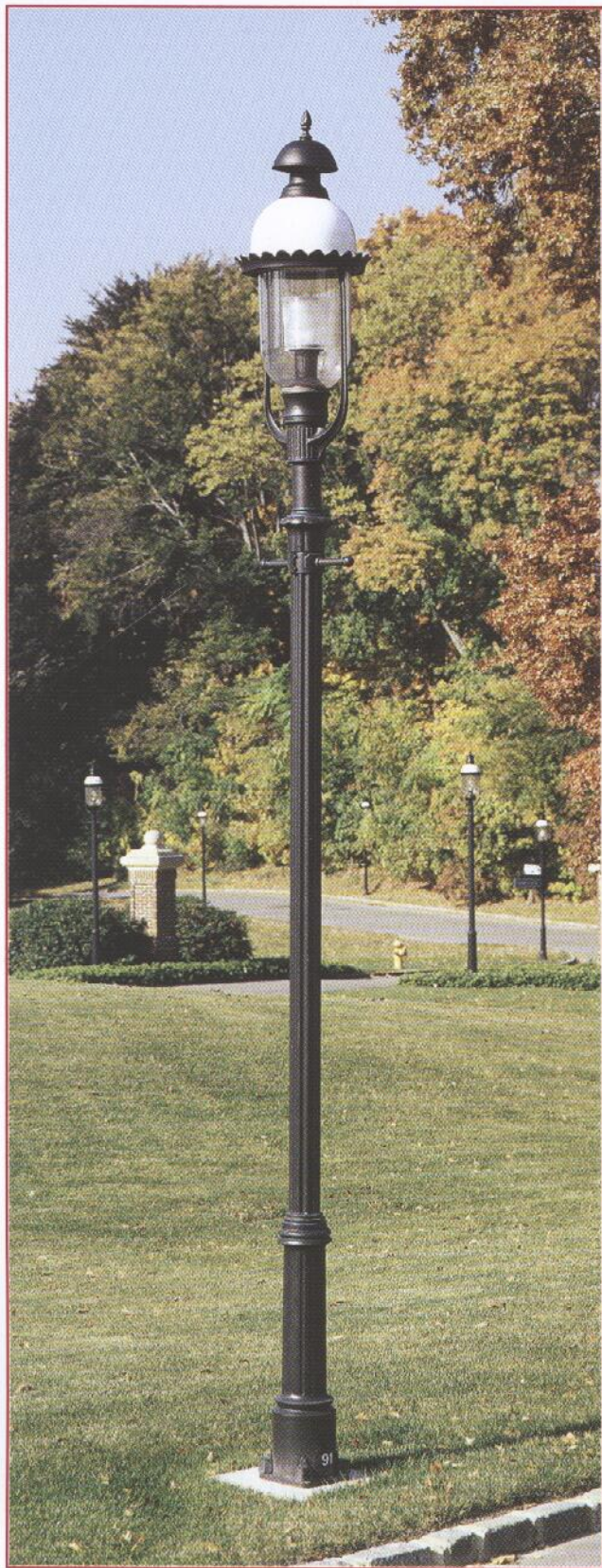
L54110

| | | | | | | | | | |
|--------------------|------|------------|-------------|-------|------|----|------|------|--|
| APPROVAL SIGNATURE | DATE | PROJECT | DESCRIPTION | SCALE | DATE | BY | DATE | BY | |
| | | | | | | | | | |
| DRAWING BY | | CHECKED BY | | DATE | | BY | | DATE | |
| L54110 | | | | | | | | | |



L47260 - CUSTOM NAUTICAL H.I.D. BRACKET LANTERNS ON CUSTOMERS POLES, Buffalo, NY

APPLICATIONS



Gracewood, North Hills - Long Island, NY



Dominion Valley - Haymarket, VA

Hanover[®]

LANTERN

Handcrafted in the USA

Hanover Lantern is a Philips group brand

350 Kindig Lane
Hanover, PA 17331

Phone: (717) 632-6464

Fax: (717) 632-5039


Email: sales@hanoverlantern.com

Web: www.hanoverlantern.com

© 2008 Philips Group.

All rights reserved. Certain products illustrated in this catalog may be protected by applicable patents and patents pending. Hanover Lantern will aggressively defend all of its intellectual property. We reserve the right to change details of design, materials and finishes.

Publication M9216-0908

 Some luminaires use fluorescent or high intensity discharge (HID) lamps that contain small amounts of mercury. Such lamps are labeled "Contains Mercury" and/or with the symbol "Hg". Lamps that contain mercury must be disposed of in accordance with local requirements. Information regarding lamp recycling and disposal can be found at www.lamprecycle.org.

Printed in the U.S.A.

Hanover Lantern, quality that lasts.

Hanover Lantern LIMITED 3 YEAR WARRANTY For All Hanover Lantern Commercial Products

Hanover Lantern warrants that its products (*other than ballasts, lamps and emergency battery packs*) are free of defects in workmanship and materials. Such warranty is in lieu of all other warranties including, without limitation, any implied warranties of merchantability or fitness for a particular purpose. Hanover Lantern, at its sole option, will repair or replace, F.O.B. our factory, freight prepaid, any Hanover Lantern product (*other than ballasts, lamps and emergency battery packs*) defective in workmanship or materials. Such repair or replacement is the sole and exclusive remedy against Hanover Lantern and is limited to three years from the date of the original shipment by Hanover Lantern. Hanover Lantern product which fails under normal operating conditions within the specified warranty period from the date of invoice, provided it is returned to the factory, transportation prepaid, and our inspection determines it to be defective under terms of this warranty. Hanover Lantern reserves the right to determine whether to repair or replace. Hanover Lantern will not be responsible for any consequential or incidental damages in connection with any breach of its aforementioned warranty.

H.I.D. ballasts, photoelectric controls, and fluorescent ballasts carry the same warranty as offered by the original manufacturer for these items, but in no event will any warranty claims on these items be honored later than two (2) years after the Buyer's receipt of the goods. All H.I.D. ballasts have been pre-tested, prior to shipping, in order to avoid field failures. In the event of a defect in one of these items which is covered by warranty, the Buyer must assert his claim in writing. If covered by warranty, these items will be shipped and billed at replacement costs and a Return Merchandise Authorization will be issued for the defective items. Credits will be issued on return of the defective items to the Seller. The invoice for the replacement items is payable within thirty (30) days unless the defective item is returned within this time period.

Hanover Lantern will not be responsible for any products subjected to inappropriate application or installed or modified in any way that is not in accordance with Hanover Lantern's instructions.

No agent, employee or representative of Hanover Lantern has any authority to bind Hanover Lantern to any affirmation, representation or warranty concerning goods sold by Hanover Lantern and unless an affirmation, representation or warranty made by an agent, employee or representative is specifically included herein, or in Hanover Lantern's acknowledgement.