



T~trak™
a brand of **TECH LIGHTING®**



Come on in.

We are pleased to present you with our latest product catalog, devoted specifically to our line-voltage track systems. By selecting a line-voltage system from Tech Lighting, you are choosing a brand known for quality, innovation and service.

T~trak is available as both a single-circuit and true two-circuit system, allowing you to separately switch two 20 amp circuits. Each circuit has its own dedicated neutral. Best of all, the functionality synonymous with T~trak has been incorporated into the Two-Circuit T~trak version. Small profile. Hand-bendable. Line-voltage. Antique Bronze, Satin Nickel or White finishes. One of the largest selections of architectural heads and pendants available. Extensive illumination options including incandescent, ceramic metal halide, and fluorescent. It is track lighting with yet another twist!

StraightLine Track, a rigid track system, is available as either single-circuit or two-circuit in Black and White finishes. Complete your system by choosing from an extensive selection of architectural heads and pendants. It is our straightforward take on track lighting.

Power Jack is an innovative, easy-to-use monopoint system available in Antique Bronze, Satin Nickel or White finishes. Simply select your Power Jack canopy, mount it to an electrical box and choose an architectural head from our broad selection. A great way to bring desired light to specific areas for a full range of applications.

We have also included complete technical information for your system of choice and illumination data for the performance you can expect from our architectural heads. A current limiter is available for your T~trak projects that must meet energy-efficient standards.

Welcome.



How to Buy

Lighting Professional?

Our products are available through a network of knowledgeable Sales Representatives. For a Representative in your area, please visit www.ttraklighting.com, or call us at (847) 410-4400.

Consumer?

Our products are available through lighting showrooms throughout North America. For showrooms in your area, please visit www.ttraklighting.com.

For More Information

The T~trak Catalog is very extensive, however more comprehensive information may be accessed by referencing our website: www.ttraklighting.com.



Meets
2005 NEC
STANDARDS

How to Use This Catalog

Begin by choosing the product best suited for your project. The "Product Offering" section on page 5 provides an overview, then each color-coded section of the catalog describes a product category in detail.

For our architectural lighting systems, each section contains step-by-step instructions on how to put the system together and a quick overview of its "Compatible Heads and Pendants."

All heads and pendants in the "Compatible Heads and Pendants" sections have a key illustrating the type of lamp and maximum wattage. For detailed information about Architectural Heads and Pendants including dimensions, color and finish choices refer to pp. 44-98. For detailed information about FreeJack Heads and Pendants see your Tech Lighting catalog or www.techlighting.com.

Custom Fixtures




Unable to find exactly what you are looking for? Tech Lighting can produce a custom fixture to your specifications.

Our Quotes Department will be happy to provide a quotation. Simply provide your Sales Representative with the following information:

- A written description of the fixture
- A sketch of the fixture with all dimensions clearly marked

About Finishes

Our T~trak and Power Jack products are available in three standard finishes:

-  **Antique Bronze:**
Clean, powder coated finish
-  **Satin Nickel:**
Brushed nickel plated finish
-  **White:**
Clean, powder coated finish

Each catalog section emphasizes the most common system components. For more complex applications, our "Special Installations" pages give you more options so virtually any layout you can imagine can be achieved with standard, readily available components.



This catalog also features part number grids for ease of ordering. For example, here is the grid for an Echo pendant.

700	SYSTEM	ECP	SIZE	COLOR	TT + TT2 FINISH	LAMP
TT	SINGLE-CIRCUIT T-TRAK		LARGE	A AMBER	Z ANTIQUE BRONZE	INCANDESCENT
			S SMALL	Q AQUAMARINE	S SATIN NICKEL	-CF COMPACT FLUORESCENT (LARGE ONLY)
TT2	TWO-CIRCUIT T-TRAK			C CLEAR	W WHITE	
				B HAVANA BROWN		
SL	SINGLE-CIRCUIT STRAIGHTLINE			S SMOKE	SL + SL2 CONN/FINISH	
SL2	TWO-CIRCUIT STRAIGHTLINE				BS BLACK/SATIN NICKEL WS WHITE/SATIN NICKEL	

The default parts of the number are bold. Select from the choices below each option field to build the complete part number.

- Finish
- Total quantity
- Delivery date
- For custom bent T~trak please provide degree and radius of each bend. We will respond with cost and availability.

Our StraightLine rigid track is available in two standard finishes:

-  **Black:**
Black powder coated finish hardware with satin nickel heads
-  **White:**
White powder coated finish hardware with white powder coat or satin nickel heads



Product Offering

6-25 T~trak™ *Single and Two-Circuit*
The first hand-bendable, line-voltage track lighting system. *Winner of the Lightfair Design Excellence Award.*

26-37 StraightLine *Single and Two-Circuit*
A commercial grade platform for use with our architectural heads and pendants.

38-43 Power Jack
Line-voltage canopy and architectural heads that offer versatile illumination.

44-77 Architectural Heads
Our collection of powerful architectural heads and optical controls.

78-98 Architectural Pendants
Our extensive collection of line-voltage pendants.

99-106 Photometrics & Lamp Information
Technical information regarding our lamps and fixture performance.

107 Index



T~trak™

Control, aesthetics, flexibility and performance. All from the T~trak family of systems.

Single-Circuit T~trak - the first hand-bendable line-voltage track system.

Two-Circuit T~trak - small profile in a true two-circuit system. Each circuit has its own dedicated neutral for two separate switchable 20 amp circuits.

Both systems incorporate a wide selection of architectural heads and pendants with multiple lamping options for your specific application. Available in antique bronze, satin nickel or white finishes.



T~trak™: Single-Circuit T~trak Satin Nickel / 4" Round Power Feed Canopy without Connector / 2" Rigid Standoffs without Connector / Om with Incandescent PAR Heads / PAR20 Lamps



PHOTOGRAPHER: JEFF MILLIES, HEDRICH BLESSING - CHICAGO, IL

LOCATION: RESIDENCE - CHICAGO, IL

T~trak™: Single-Circuit T~trak Satin Nickel / 4" Round Power Feed Canopies without Connector / 12" Rigid Standoffs without Connector / Sportster with Incandescent PAR Heads / Sportster Louver Lens Holder / PAR20 Lamps



PHOTOGRAPHER: HOTSHOTS IMAGING - CHICAGO, IL
LOCATION: KAYA DAY SPA - CHICAGO, IL

T~trak™: Single-Circuit T~trak Satin Nickel / Flexible Power Feed with 4" Round Power Feed Canopy / Adjustable Standoffs without Connector / Sportster with Incandescent PAR Heads / PAR30 Lamps



PHOTOGRAPHER: ION P. JANZEN

LIGHTING DESIGN: MARTY PECK, CREATIVE LIGHTING DESIGN & ENGINEERING

LOCATION: FLANNERY'S HOME ENTERTAINMENT - BROOKFIELD, WI

T~trak™: Single-Circuit T~trak Satin Nickel / Flexible Power Feed with 4" Round Power Feed Canopy / Adjustable Standoffs with Connector / Adjustable Standoffs without Connector / Om with Ceramic Metal Halide PAR Heads / PAR30 Long Lamps



DESIGNER: XAVIER YAGER

LOCATION: SOUTACHE - CHICAGO IL

T~trak™: Single-Circuit T~trak Satin Nickel / 4" Round Power Feed Canopies without Connector / 12" Rigid Standoffs with Connector / 12" Rigid Standoffs without Connector / Spot with Incandescent PAR Heads / PAR30 Lamps



LOCATION: CHOQUINARD GALLERY - CHICAGO, IL

T~trak™: Single-Circuit T~trak Satin Nickel / 4" Round Power Feed Canopy without Connector / 2" Rigid Standoffs with Connector / 2" Rigid Standoffs without Connector / Sportster with Ceramic Metal Halide PAR Heads / PAR30 Long Lamps



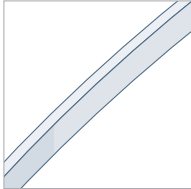
PHOTOGRAPHER: LASZLO REGOS
LOCATION: SENTRY TOSA GROCERY STORE - MILWAUKEE, WI

BASICS

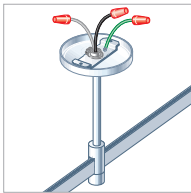
Step One: Design Your Single or Two-Circuit T~trak™ System



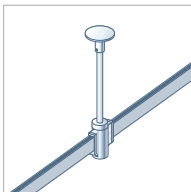
The first step in designing your T~trak system is to determine what it is you are trying to light. You'll need to decide where the heads or pendants should be installed to put light where you want it. See Compatible Heads and Pendants on pp. 16-19 for thumbnails of all available fixtures with lamp type and maximum wattage. Refer to the indicated pages for detailed specifications. Choose your heads and pendants then add accessories and optical controls, if desired. When ordering low-voltage FreeJack fixtures for a T~trak system, order a T~trak FreeJack Connector (sold separately, p. 18) for each FreeJack fixture.



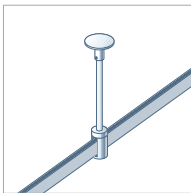
Draw in your T~trak run. Remember, T~trak can be shaped by hand to follow architectural details or to create an organic shape. Factory pre-bent shapes are also offered in several configurations. Your T~trak run should be placed so it intersects the locations of all the heads and pendants and runs directly beneath the ceiling junction box that will be used to power the system (see pp. 22-23). Determine if you will be using Single-Circuit T~trak or Two-Circuit T~trak then specify how many sections of track you'll need (p. 20).



Determine how far from the ceiling you want the system to drop. Choose a power feed canopy (pp. 22-23) of the appropriate length and style. The maximum standard drop for T~trak is eight feet.



Add rigid standoffs with connector to join sections of T~trak end to end while supporting the system (p. 21). Order one for each connection point between track sections. Select the appropriate length to match the specified drop for the system.

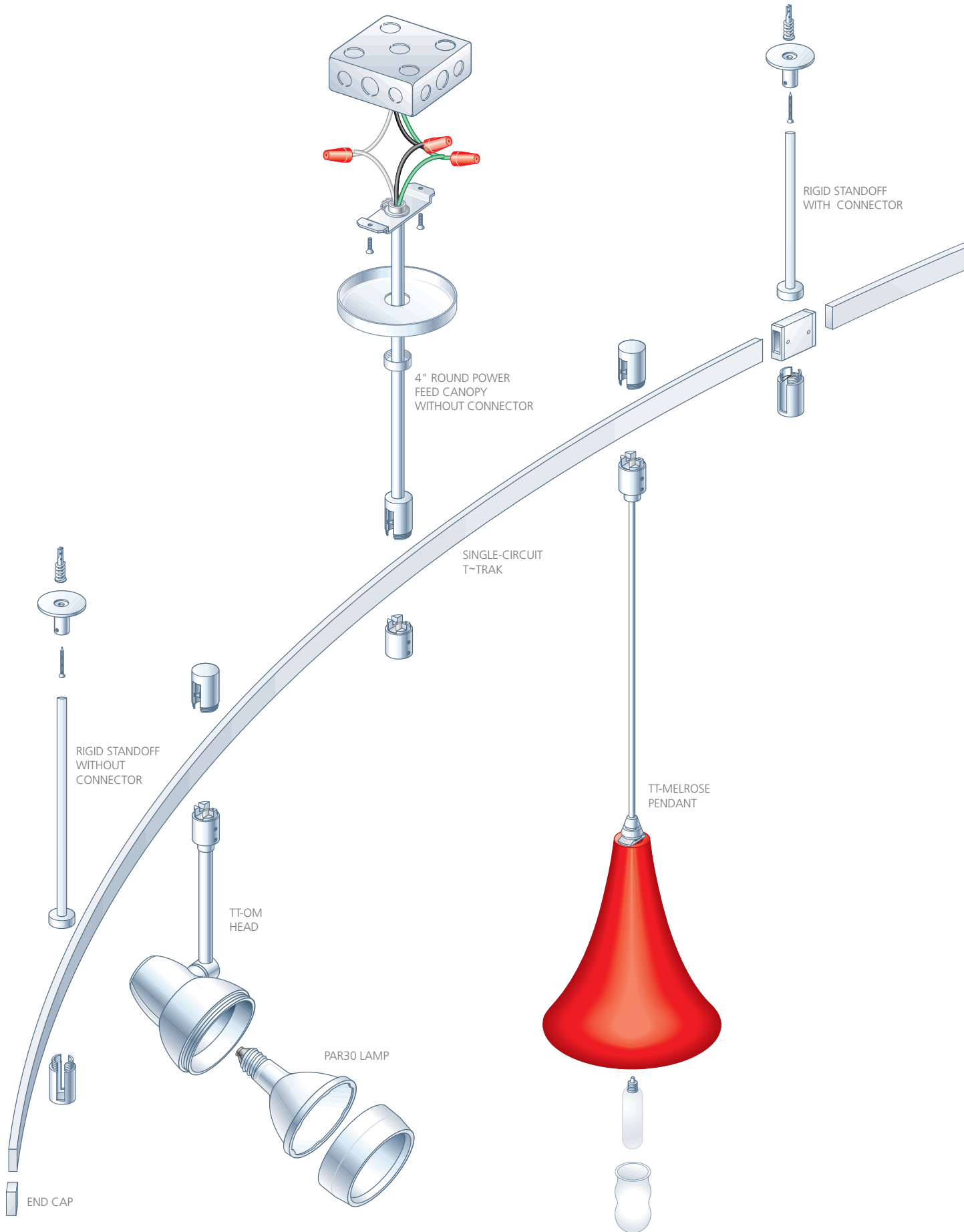


Add rigid standoffs without connector to support the system (p. 21). Order one for the center of each 8' track section plus two for the ends of the run. This ensures support for T~trak every four feet. For especially curvy runs, order additional standoffs without connector to support peaks of curves and heavy heads and pendants, as required. Select the appropriate length to match the specified drop for the system.

Note: Standoffs and power feed canopies are field-cuttable, so it's easy to achieve a custom drop length.

For additional T~trak system options, such as using adjustable standoffs or mounting to a vaulted ceiling, see Special Installations on pp. 24-25.

T~TRAK



COMPATIBLE ARCHITECTURAL HEADS AND PENDANTS

All of the line-voltage heads and pendants shown on these pages are available for T~trak™. Refer to the indicated pages for specifications and ordering codes.

Aero*
Incandescent
pg 46



PAR16
GU10



50

Breeze
Ceramic Metal Halide
pg 47-49



CMH
T4.5



70

CMH
PAR30
Lon g



70

Breeze
Incandescent
pg 50



PAR30
Sho rt



75

PAR30
Lon g



75

Gamma
Ceramic Metal Halide
pg 52-53



CMH
T4.5



70

Gamma
Double End Halogen
pg 54-55




T3
RSC




100


Om
Ceramic Metal Halide
pg 56-59



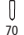
CMH
MR16



20




CMH
T4.5




70

CMH
PAR20




39

CMH
PAR30
Lon g




70


Om
Incandescent
pg 60-61




LOW -
VOLTAGE
MR16



50




PAR16
GU10




50

PAR20




50

PAR30
Sho rt



75

PAR30
Lon g



75

Pod
Incandescent
pg 63



PAR16
GU10



50

Soma
Ceramic Metal Halide
pg 64



CMH
PAR30
Lon g



70

Sportster
Ceramic Metal Halide
pg 66



CMH
PAR20



39

CMH
PAR30
Lon g



70

Sportster
Incandescent
pg 67



PAR16
GU10



50

PAR20



50

PAR30
Sho rt



75

PAR30
Lon g



75

PAR38



120

Spot
Ceramic Metal Halide
pg 70



CMH
PAR20



39

Spot
Incandescent
pg 71



PAR20



50

PAR30
Sho rt



75

Tweak
Ceramic Metal Halide
pg 74



CMH
PAR20




39

CMH
PAR30
Lon g




70

Tweak
Incandescent
pg 75




PAR16
GU10




50

PAR20




50

PAR30
Sho rt




75

PAR30
Lon g



75

PAR38



120

* Shown accessorized.
Accessories sold separately.

<p>Delancey pg 84</p>  <p>A19 4x 100 GX24Q-3 4x 32</p>	<p>Echo pg 92</p>  <p>E11 60 A19 75 GX24Q-2 18</p>	<p>Edge pg 92</p>  <p>A19 75 GX24Q-2 18</p>	<p>Emerge pg 89</p>  <p>A19 75 GX24Q-2 18</p>	<p>Hudson pg 93</p>  <p>A19 75 GX24Q-2 18</p>
<p>Lexington pg 85</p>  <p>A19 4x 100 GX24Q-3 4x 32</p>	<p>Madison pg 84</p>  <p>A19 4x 100 GX24Q-3 4x 32</p>	<p>Melrose pg 87</p>  <p>G9 40 E11 60 GX24Q-2 18</p>	<p>Montana pg 89</p>  <p>A19 75 GX24Q-2 18</p>	<p>Mulberry pg 85</p>  <p>A19 4x 75 GU24 4x 18</p>
<p>Nest pg 94</p>  <p>E11 60 A19 75 GX24Q-2 18</p>	<p>Niko Large pg 91</p>  <p>A19 75 GX24Q-2 18</p>	<p>Noir pg 96</p>  <p>A19 75 GX24Q-2 18</p>	<p>Ovation pg 86</p>  <p>E11 60 A19 75 GX24Q-2 18</p>	<p>Palma pg 88</p>  <p>A21 150</p>
<p>Powell Street pg 96</p>  <p>G40 150</p>	<p>Scavo Large pg 97</p>  <p>E11 60 GX24Q-2 18</p>	<p>Serengeti pg 97</p>  <p>A19 100 GX24Q-2 18</p>	<p>Soda pg 94</p>  <p>A19 75 GX24Q-2 18</p>	<p>Spirit pg 88</p>  <p>A19 75 GX24Q-2 18</p>
<p>Starry Night pg 90</p>  <p>A19 75 GX24Q-2 18</p>	<p>Suspende pg 93</p>  <p>A19 100 GX24Q-2 18</p>	<p>Taza pg 90</p>  <p>A19 75 GX24Q-2 18</p>		

COMPATIBLE FREEJACK HEADS AND PENDANTS

T~trak™ Low-Voltage FreeJack Connector

Use to adapt any low-voltage FreeJack head or pendant to T~trak system. Order one T~trak FreeJack Connector for each FreeJack head and pendant. Specify Single-Circuit T~trak or Two-Circuit T~trak.



T~TRAK FREEJACK CONNECTOR

Includes 12 volt, 75 watt electronic transformer.
Dimmable with a standard incandescent dimmer.

700	FINISH	CHEDFJ	FINISH
TT	SINGLE-CIRCUIT T~TRAK	Z	ANTIQUE BRONZE
TT2	TWO-CIRCUIT T~TRAK	S	SATIN NICKEL
		W	WHITE

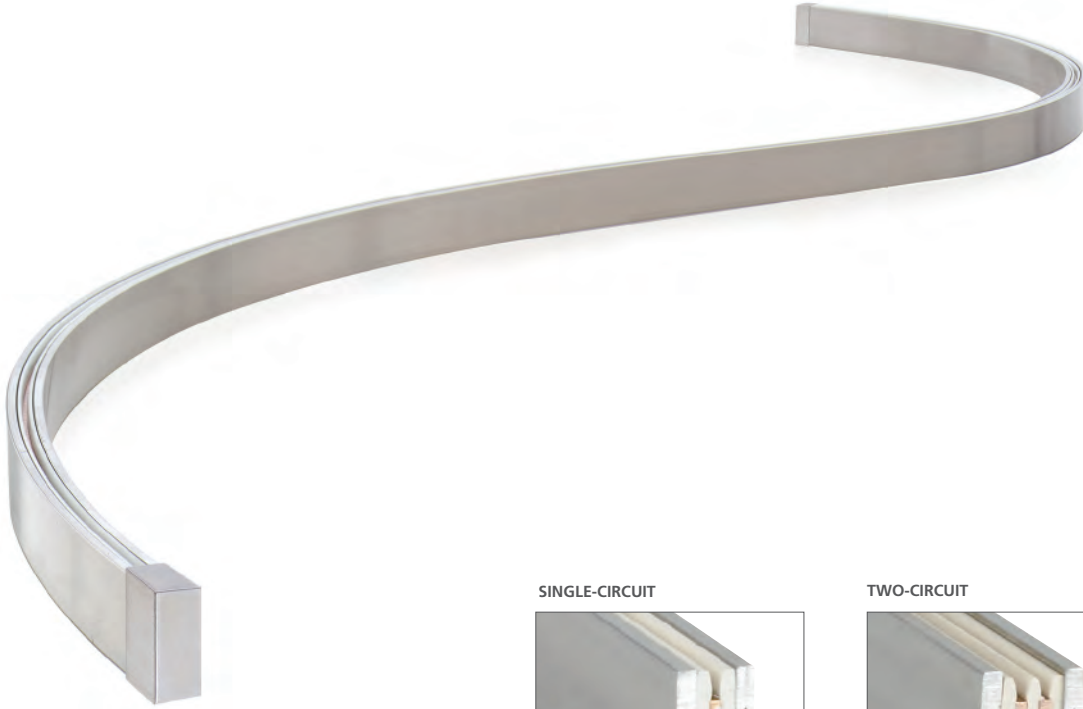
All of the FreeJack heads and pendants shown on these pages can be used on T~trak. Order a T~trak FreeJack Connector (sold separately, above) for each FreeJack head or pendant. Refer to www.techlighting.com or Tech Lighting Catalog for color options, specifications, and ordering codes.



* Shown accessorized.
Accessories sold separately.

Autumn Wind  Bi-pin 35	Bedazzled  MR16 50	Biz  MR16 50	Cabo  Bi-pin 50	Camille  Bi-pin 50	Cheers  Bi-pin 7 x 10	Chromium  Bi-pin 50
Cone  Bi-pin 50	Crystal Bedazzled  MR16 50	Cube  Bi-pin 35	Egypt  MR16 50	Fab  Bi-pin 50	Fire  Bi-pin 50	Firebird  Bi-pin 50
Firefrost  Bi-pin 50	Gem  Bi-pin 50	Hanging Wok  MR16 50	Inner Fire  Bi-pin 50	Jaclien  Bi-pin 50	Melt  Bi-pin 50	Midnight  Bi-pin 50
Mini Echo  Bi-pin 50	Mini Edge  Bi-pin 50	Mini Larkspur  Bi-pin 2 x 35	Mini Melrose  Bi-pin 50	Mini Noir  MR16 50	Mini Ovation  Bi-pin 50	Mini Powell Street  Bi-pin 50
Mini Soda  Bi-pin 50	Mini Starry Night  Bi-pin 50	Mist  Bi-pin 50	Moon  Bi-pin MR11 35	Niko  Bi-pin 50	Oak Park  Bi-pin 50	Parker  Bi-pin 50
Pinnacle  MR16 35 Bi-pin 50	Piper  MR16 50	Pleat  Bi-pin 50	Pompeii  Bi-pin 50	Prism  MR16 50	Pyramid  Bi-pin 35	Raindrop  Bi-pin 50
Roc  MR16 50	Savoy  Bi-pin 35	Scavo  Bi-pin 50	Sky  MR16 50	Small Nest  Bi-pin 50	Sophia  Bi-pin 50	Sugar  Bi-pin 50
Summit  MR16 35	Sydney  Bi-pin 50	Tetra  Bi-pin 50	Torpedo Pendant*  MR16 50	Vino  Bi-pin 50	Waffle  Bi-pin 50	Wand  Bi-pin 50
Water  Bi-pin 50	* Shown accessorized. Accessories sold separately.					

T~TRAK



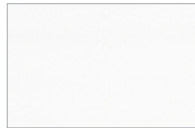
ANTIQUÉ BRONZE



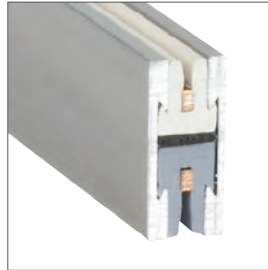
SATIN NICKEL



WHITE

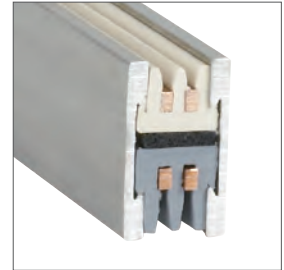


SINGLE-CIRCUIT



7/8" height X 3/8" width

TWO-CIRCUIT



7/8" height X 1/2" width

T~TRAK™

A hand-bendable, field-cuttable line-voltage track system. Single-Circuit T~trak is a track system rated for 20 amps. Two-Circuit T~trak is a two-circuit track system with each circuit having its own dedicated neutral for two separately switchable 20 amp circuits. Each section of track is shipped with two end caps to cover the open ends of the track. Order additional end caps (p. 21) if cutting and separating track sections.

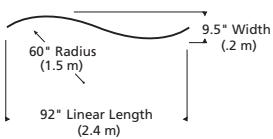
700	SYSTEM	LENGTH	FINISH
TTA	SINGLE-CIRCUIT T~TRAK	48 48" (1.2 m) 96 96" (2.4 m)	Z ANTIQUÉ BRONZE S SATIN NICKEL
TT2A	TWO-CIRCUIT T~TRAK		W WHITE

T~trak bends horizontally to a radius as small as 36". For custom factory bends, provide degree and radius of curve.

TIP: To calculate the amount of track you'll need for an organic shape, draw the T~trak™ to scale (for example, 1/4" = 1'). Use a piece of string to "trace" the drawing. Measure the length of string, then convert from scale.

Pre-Bent T~trak

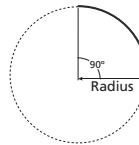
T~trak bends very easily by hand to almost any imaginable shape, but we also offer the following pre-bent track options to make the most common bends perfectly shaped and even easier to install. For a factory bend not shown below, please call for a custom quotation.



PRE-BENT S-CURVE T~TRAK

T~trak pre-bent into a horizontal S curve. Consult the drawing for approximate dimensions.

700	SYSTEM	BHSC60	FINISH
TT	SINGLE-CIRCUIT T~TRAK		Z ANTIQUÉ BRONZE S SATIN NICKEL
TT2	TWO-CIRCUIT T~TRAK		W WHITE



PRE-BENT 90° CURVE T~TRAK

Horizontal 90° curves are sold by radius, or the distance from the center of a circle to the outside edge. Join four 90° curves to create a circle with a diameter (overall width) equal to twice the specified radius.

700	SYSTEM	BH90	RADIUS	FINISH
TT	SINGLE-CIRCUIT T~TRAK		36 36" RADIUS 48 48" RADIUS	Z ANTIQUÉ BRONZE S SATIN NICKEL
TT2	TWO-CIRCUIT T~TRAK		60 60" RADIUS	W WHITE

CONNECTORS & STANDOFFS

Connectors



Single-Circuit T-trak
Two-Circuit T-trak

END CAP

All sections of track are shipped with the required end cap on each end of the track. Order separately for each open end of the track if cutting and separating track sections.

700	SYSTEM	CCAP	FINISH
TT	SINGLE-CIRCUIT T-TRAK	Z	ANTIQUÉ BRONZE
		S	SATIN NICKEL
TT2	TWO-CIRCUIT T-TRAK	W	WHITE



Single-Circuit T-trak



Two-Circuit T-trak

FLEXIBLE CONNECTOR

This connector joins sections of track together end to end at desired sharp horizontal angle (90° to 270°). Order two additional rigid standoffs without connector (below) to support track near corner.

700	SYSTEM	CFXH	TYPE	FINISH
TT	SINGLE-CIRCUIT T-TRAK		CONDUCTIVE	Z ANTIQUÉ BRONZE
			I ISOLATING	S SATIN NICKEL
TT2	TWO-CIRCUIT T-TRAK			W WHITE



PHOTOGRAPHER: HOTSHOTS IMAGING - CHICAGO, IL
LOCATION: ALPHABETIQUE - CHICAGO, IL

Standoffs



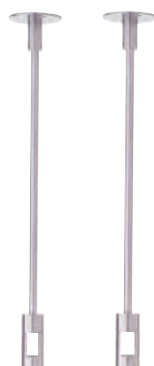
Single-Circuit T-trak
Two-Circuit T-trak

RIGID STANDOFF WITH CONNECTOR

The field-cuttable rigid standoff with connector is used to join sections of track together end to end while supporting the system. Order one for each connection point between track sections. Use conductive type to continue power through connection. Use isolating type to isolate multiple circuits on one continuous run. Select the appropriate length to match the specified drop for the system.

700	SYSTEM	S	TYPE	LENGTH	FINISH
TT	SINGLE-CIRCUIT T-TRAK	CC	CONDUCTIVE	02 2"	Z ANTIQUÉ BRONZE
		IC	ISOLATING	06 6"	S SATIN NICKEL
TT2	TWO-CIRCUIT T-TRAK			12 12"	W WHITE
				24 24"	
				36 36"	
				48 48"	
				96 96"	

TIP: Use standoff supports every four feet of a T~trak™ run. For best appearance, place the last standoff 4-6" from the end of the run, and place standoffs symmetrically, alternating between standoffs with connector where track sections join together and standoffs without connector in the center of each 8' track section.



RIGID STANDOFF WITHOUT CONNECTOR

The field-cuttable rigid standoff without connector is used in the center of each 8' track section and at each end of the run. For especially curvy runs, order additional standoffs without connector to support peaks of curves and heavy elements, as required. Select the appropriate length to match the specified drop for the system.

700	SYSTEM	S	LENGTH	FINISH
TT	SINGLE-CIRCUIT T-TRAK		02 2"	Z ANTIQUÉ BRONZE
			06 6"	S SATIN NICKEL
TT2	TWO-CIRCUIT T-TRAK		12 12"	W WHITE
			24 24"	
			36 36"	
			48 48"	
			96 96"	

POWER FEED CANOPIES

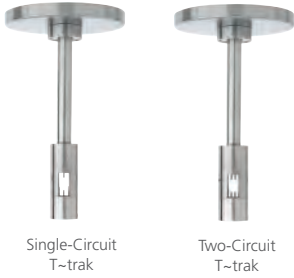
Using a Standard Power Feed Canopy

Standard power feed canopies mount to a ceiling junction box with round plaster ring located directly above the track. Select the appropriate length to match the specified drop for the system. Lengths longer than 2" are field-cuttable.

For projects designed to meet energy efficiency standards determine the maximum amperage required on the circuit and specify the correct current limiter.



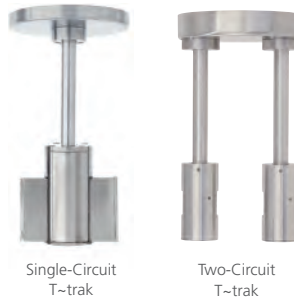
Current Limiter



4" ROUND POWER FEED CANOPY WITHOUT CONNECTOR

Mounts to a standard 4" ceiling junction box with round plaster ring (provided by electrician). Use to power system from any point along track section.

700	SYSTEM	P4C	LENGTH	FINISH	CURRENT LIMITER
TT	SINGLE-CIRCUIT T~TRAK		02 2"	Z ANTIQUE BRONZE	WITHOUT
			06 6"	S SATIN NICKEL	-2 2.5 AMP
TT2	TWO-CIRCUIT T~TRAK		12 12"	W WHITE	-4 4 AMP
			24 24"		-6 6 AMP
			36 36"		-8 8 AMP
			48 48"		-10 10 AMP
					-12 12 AMP
					-14 14 AMP
		-16 16 AMP			
		-18 18 AMP			



4" ROUND POWER FEED CANOPY WITH CONNECTOR

Mounts to a standard 4" ceiling junction box with round plaster ring (provided by electrician). Use to power system while joining sections of track together end to end.

700	SYSTEM	P4CCC	LENGTH	FINISH	CURRENT LIMITER
TT	SINGLE-CIRCUIT T~TRAK		02 2"	Z ANTIQUE BRONZE	WITHOUT
			06 6"	S SATIN NICKEL	-2 2.5 AMP
TT2	TWO-CIRCUIT T~TRAK		12 12"	W WHITE	-4 4 AMP
			24 24"		-6 6 AMP
			36 36"		-8 8 AMP
			48 48"		-10 10 AMP
					-12 12 AMP
					-14 14 AMP
		-16 16 AMP			
		-18 18 AMP			

Using an X/T/L Power Feed Canopy

"X", "T", and "L" power feed canopies mount to a ceiling junction box located directly above the Single-Circuit T~trak run and join sections of track together into an "X", "T", or "L" configuration. Select the appropriate length to match the specified drop for the system. Lengths longer than 2" are field-cuttable. **For projects designed to meet energy efficiency standards determine the maximum amperage required on the circuit and specify the correct current limiter.**



Current Limiter



4" ROUND POWER FEED CANOPY WITH X/T/L CONNECTOR

Mounts to a standard 4" ceiling junction box with round plaster ring (provided by electrician).

700	SYSTEM	P4C	TYPE	LENGTH	FINISH	CURRENT LIMITER
TT	SINGLE-CIRCUIT T~TRAK		X X CONNECTOR	02 2"	Z ANTIQUE BRONZE	WITHOUT
			T T CONNECTOR	06 6"	S SATIN NICKEL	-2 2.5 AMP
(ONLY)			L L CONNECTOR	12 12"	W WHITE	-4 4 AMP
				24 24"		-6 6 AMP
				36 36"		-8 8 AMP
				48 48"		-10 10 AMP
						-12 12 AMP
						-14 14 AMP
			-16 16 AMP			
			-18 18 AMP			

Using a Flexible Power Feed with Canopy

Flexible power feeds with canopy bring power from a ceiling or wall mounted junction box to the track when the junction box is not located directly above or at the end of the track. Each includes 12' of field-cutttable flexible conduit. Available in two styles: center feed can be used to power the track anywhere within the run; end feed powers the track from the end of the run. **For projects designed to meet energy efficiency standards determine the maximum amperage required on the circuit and specify the correct current limiter.**



Current Limiter



CENTER FEED



END FEED

FLEXIBLE POWER FEED WITH 4" ROUND CANOPY

Mounts to a standard 4" junction box with round plaster ring (provided by electrician).

700	SYSTEM	P4C	TYPE	FINISH	CURRENT LIMITER
TT	SINGLE-CIRCUIT T-TRAK	CEN	CENTER FEED	Z ANTIQUE BRONZE	WITHOUT
		END	END FEED	S SATIN NICKEL	-2 2.5 AMP
TT2	TWO-CIRCUIT T-TRAK			W WHITE	-4 4 AMP
					-6 6 AMP
					-8 8 AMP
					-10 10 AMP
					-12 12 AMP
					-14 14 AMP
					-16 16 AMP
					-18 18 AMP

Using a Direct-End Power Feed Canopy

Direct-end power feed canopies mount to a wall junction box perpendicular to the end of the run.



Single-Circuit
T-trak



Two-Circuit
T-trak

4" ROUND DIRECT-END POWER FEED CANOPY

Mounts to a standard 4" wall junction box with round plaster ring (provided by electrician).

700	SYSTEM	P4CD	FINISH
TT	SINGLE-CIRCUIT T-TRAK	Z	ANTIQU BRONZE
		S	SATIN NICKEL
TT2	TWO-CIRCUIT T-TRAK	W	WHITE

SPECIAL INSTALLATIONS

Installing T~trak™ to a Vaulted Ceiling

To install a T~trak system to a vaulted ceiling, add a power vault adapter to each power feed canopy, and add a standoff vault adapter to each standoff (with and without connector).



Single-Circuit T-trak
Two-Circuit T-trak

POWER VAULT ADAPTER

Installs to any standard power feed canopy or Single-Circuit T~trak X/T/L power feed canopy (sold separately) and adjusts to any angle to position track parallel to the floor.

700	SYSTEM	PVLT	FINISH
TT	SINGLE-CIRCUIT T-TRAK	Z	ANTIQUÉ BRONZE
		S	SATIN NICKEL
TT2	TWO-CIRCUIT T-TRAK	W	WHITE



Single-Circuit T-trak
Two-Circuit T-trak

STANDOFF VAULT ADAPTER

Installs between the rigid or adjustable standoff (with and without connector) (sold separately) and the ceiling to position track parallel to the floor.

700	SYSTEM	SVLT	FINISH
TT	SINGLE-CIRCUIT T-TRAK	Z	ANTIQUÉ BRONZE
		S	SATIN NICKEL
TT2	TWO-CIRCUIT T-TRAK	W	WHITE

Using Adjustable Standoffs

To ease T~trak installation in spaces with high and/or uneven ceiling surfaces, use adjustable standoffs to easily adjust height and level of the system. Adjustable standoffs are not recommended on curvy runs or on runs with heavy heads, such as die cast ceramic metal halide heads.



Single-Circuit T-trak
Two-Circuit T-trak

ADJUSTABLE STANDOFF WITHOUT CONNECTOR

The adjustable standoff without connector is used in the center of a track section or at the end of a run. A wire grip allows you to easily shorten or lengthen the cable to size it for use.

700	SYSTEM	SADJ	LENGTH	FINISH
TT	SINGLE-CIRCUIT T-TRAK		12' OF CABLE	Z ANTIQUÉ BRONZE
		3	30' OF CABLE	S SATIN NICKEL
TT2	TWO-CIRCUIT T-TRAK			W WHITE



Single-Circuit T-trak
Two-Circuit T-trak

ADJUSTABLE STANDOFF WITH CONNECTOR

The adjustable standoff with connector is used to join sections of track together end to end while supporting the system. A wire grip allows you to easily shorten or lengthen the cable to size it for use. Use conductive type to continue power through connection. Use isolating type to isolate multiple circuits on one continuous run.

700	SYSTEM	S	TYPE	ADJ	LENGTH	FINISH
TT	SINGLE-CIRCUIT T-TRAK	CC	CONDUCTIVE		12' OF CABLE	Z ANTIQUÉ BRONZE
		IC	ISOLATING	3	30' OF CABLE	S SATIN NICKEL
TT2	TWO-CIRCUIT T-TRAK					W WHITE

Using X/T/L Standoffs

To join sections of Single-Circuit T~trak together into an "X", "T", or "L" configuration, use the field-cutable rigid standoff with conductive "X", "T", or "L" connector.



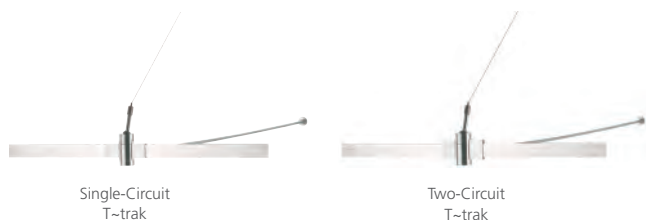
RIGID STANDOFF WITH X/T/L CONNECTOR

Select the appropriate length to match the specified drop for the system. Conductive only.

700	SYSTEM	S	TYPE	LENGTH	FINISH
TT	SINGLE-CIRCUIT T-TRAK (ONLY)	X	X CONNECTOR	02 2"	Z ANTIQUÉ BRONZE
		T	T CONNECTOR	06 6"	S SATIN NICKEL
		L	L CONNECTOR	12 12"	W WHITE
				24 24"	
				36 36"	
				48 48"	
				96 96"	

Installing T~trak™ to Cantilever From a Wall

Use support outside rigger to support a T~trak system 36" off of wall. Field-cutttable.



SUPPORT OUTSIDE RIGGER WITH CONNECTOR

Extends from the wall to support track. Use every four feet of run to support system while joining sections of track together end to end.

700	SYSTEM	SORG	TYPE	FINISH
TT	SINGLE-CIRCUIT T-TRAK	CC	CONDUCTIVE IC	Z ANTIQUE BRONZE S SATIN NICKEL
TT2	TWO-CIRCUIT T-TRAK			W WHITE



SUPPORT OUTSIDE RIGGER WITHOUT CONNECTOR

Extends from the wall to support track. Use every four feet of run to support system in the center of a track or at the end of a run.

700	SYSTEM	SORG	FINISH
TT	SINGLE-CIRCUIT T-TRAK	Z	ANTIQUE BRONZE S SATIN NICKEL
TT2	TWO-CIRCUIT T-TRAK	W	WHITE

Use power outside rigger to support and power a T~trak system 36" off of wall. Field-cutttable. For use on Single-Circuit T~trak system only. To power a cantilevered Two-Circuit T~trak run see power feed options (pp. 22-23).



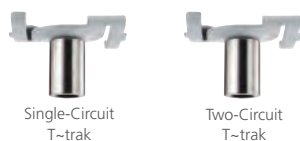
POWER OUTSIDE RIGGER WITH CONNECTOR

Extends from the wall to support and power feed track. Includes 4" round canopy. Use to power system while joining sections of track together end to end.

700	SYSTEM	PORGCC	FINISH
TT	SINGLE-CIRCUIT T-TRAK (ONLY)	Z	ANTIQUE BRONZE S SATIN NICKEL W WHITE

Installing T~trak to a T-Bar Drop Ceiling

To install a T~trak system to a T-bar drop ceiling, add a T-bar connector to every standoff (with and without connector, sold separately). The T-bar clip twists into the slat. (Use only if local electrical codes allow).



T-BAR CONNECTOR

Specify 15/16" or 9/16" slat.

700	SYSTEM	TBAR	SLAT	COLOR	FINISH
TT	SINGLE-CIRCUIT T-TRAK	C	15/16"	B BLACK W WHITE	Z ANTIQUE BRONZE S SATIN NICKEL
TT2	TWO-CIRCUIT T-TRAK	9C	9/16"	W WHITE	W WHITE



STRAIGHTLINE

Our rigid track system mounts flush to the ceiling to become part of the architecture.

Designed for use in a wide range of environments, StraightLine is compatible with T~trak architectural heads and a complete selection of pendants, each featuring a full range of lamping options.

StraightLine track is available as a single-circuit or two-circuit system in both black and white finishes.



T~trak™: Two-Circuit StraightLine White / Power Feed Canopy with End Feed / Om with Incandescent PAR Heads / PAR20 Lamps

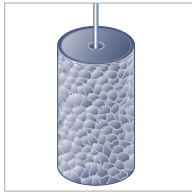


T~trak™: Two-Circuit StraightLine White / Power Feed Canopy with End Feed / Sportster with Incandescent PAR Heads / PAR16 GU10 Lamps



BASICS

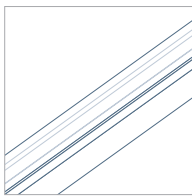
Step One: Design Your StraightLine System



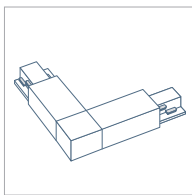
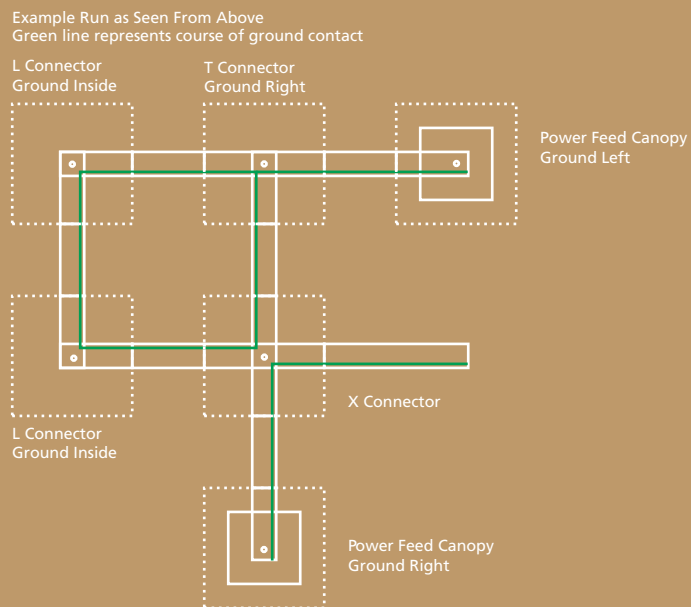
The first step in designing your StraightLine system is to determine what it is you are trying to light. You'll need to decide where the heads or pendants should be installed to put light where you want it. See Compatible Architectural Heads and Pendants on pp. 32-35 for thumbnails of all available fixtures with lamp type and maximum wattage. Refer to the indicated pages for detailed specifications. Choose your heads and pendants then add accessories and optical controls if desired. When ordering low-voltage FreeJack fixtures for a StraightLine system, order a StraightLine FreeJack Connector (sold separately, p. 34) for each FreeJack low-voltage fixture.

Draw in your StraightLine run. Your run should be placed so it intersects the locations of all the elements and runs directly beneath the ceiling junction box that will be used to power the system.

Step Two: Add Track & Hardware to Complete the System



StraightLine systems incorporate a ground contact that runs the profile of the track. When planning your layout be sure that the course of the ground contact is continuous, see example below.



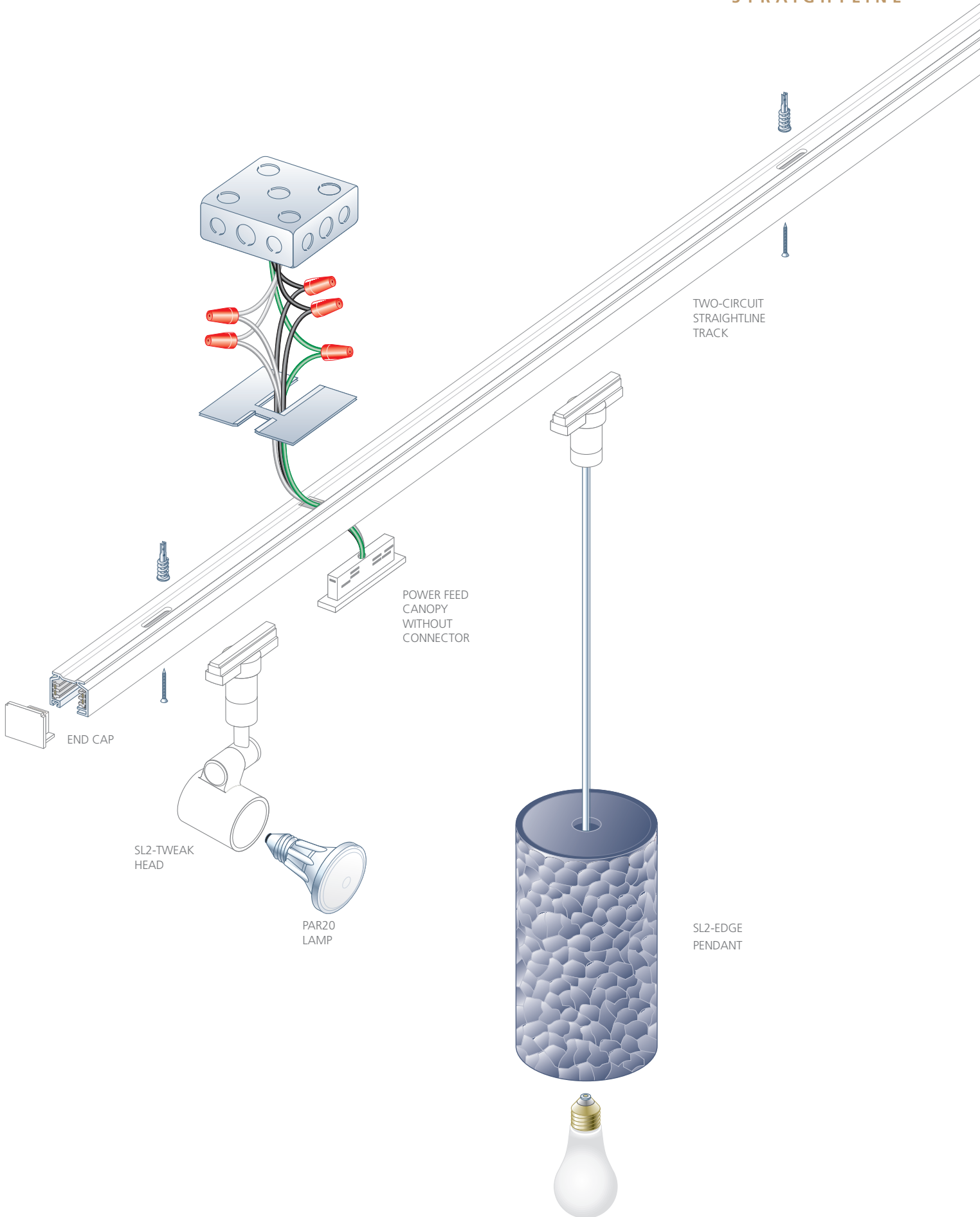
For our complete selection of track connectors and power feeds including diagrams of standard ground contact configurations options see pages (pp. 36-37).

Determine if you will be using Single-Circuit StraightLine or Two-Circuit StraightLine track then specify how many sections of track you will need (p. 36).

Select a power feed option, and be sure to specify the ground contact configuration when ordering (p. 37).

Add connectors to join sections of track (p. 36). Order one for each connection point between track sections (p. 36).

STRAIGHTLINE



COMPATIBLE ARCHITECTURAL HEADS AND PENDANTS

All of the line-voltage heads and pendants shown on these pages are available for StraightLine. Refer to the indicated pages for specifications and ordering codes.

Aero*
Incandescent
pg 46



PAR16 GU10
 50

Breeze
Ceramic Metal Halide
pg 47-49



CMH T4.5	CMH PAR30 Lon g
 70	 70

Breeze
Incandescent
pg 50



PAR30 Sho rt	PAR30 Lon g
 75	 75

Gamma
Ceramic Metal Halide
pg 52-53




CMH T4.5
 70





Gamma
Double End Halogen
pg 54-55




T3 RSC
 100






Om
Ceramic Metal Halide
pg 56-59



CMH MR16	CMH T4.5	CMH PAR20	CMH PAR30 Lon g
 20	 70	 39	 70

Om
Incandescent
pg 60-61



LOW - VOLTAGE MR16	PAR16 GU10	PAR20	PAR30 Sho rt	PAR30 Lon g
 50	 50	 50	 75	 75

Pod
Incandescent
pg 63



PAR16 GU10
 50

Sportster
Ceramic Metal Halide
pg 66



CMH PAR20	CMH PAR30 Lon g
 39	 70

Sportster
Incandescent
pg 67



PAR16 GU10	PAR20	PAR30 Sho rt	PAR30 Lon g	PAR38
 50	 50	 75	 75	 120

Spot
Ceramic Metal Halide
pg 70



CMH PAR20
 39

Spot
Incandescent
pg 71




PAR20	PAR30 Sho rt
 50	 75






Tweak
Ceramic Metal Halide
pg 74



CMH PAR20	CMH PAR30 Lon g
 39	 70

Tweak
Incandescent
pg 75



PAR16 GU10	PAR20	PAR30 Sho rt	PAR30 Lon g	PAR38
 50	 50	 75	 75	 120

* Shown accessorized.
Accessories sold separately.

<p>Delancey pg 84</p>  <p>4 x A19 100 4 x GX24Q-3 32</p>	<p>Echo pg 92</p>  <p>E11 60 A19 75 GX24Q-2 18</p>	<p>Edge pg 92</p>  <p>A19 75 GX24Q-2 18</p>	<p>Emerge pg 89</p>  <p>A19 75 GX24Q-2 18</p>	<p>Hudson pg 93</p>  <p>A19 75 GX24Q-2 18</p>
<p>Lexington pg 85</p>  <p>4 x A19 100 4 x GX24Q-3 32</p>	<p>Madison pg 84</p>  <p>4 x A19 100 4 x GX24Q-3 32</p>	<p>Melrose pg 87</p>  <p>G9 40 E11 60 GX24Q-2 18</p>	<p>Montana pg 89</p>  <p>A19 75 GX24Q-2 18</p>	<p>Mulberry pg 85</p>  <p>4 x A19 75 4 x GU24 18</p>
<p>Nest pg 94</p>  <p>E11 60 A19 75 GX24Q-2 18</p>	<p>Niko Large pg 91</p>  <p>A19 75 GX24Q-2 18</p>	<p>Noir pg 96</p>  <p>A19 75 GX24Q-2 18</p>	<p>Ovation pg 86</p>  <p>E11 60 A19 75 GX24Q-2 18</p>	<p>Palma pg 88</p>  <p>A21 150</p>
<p>Powell Street pg 96</p>  <p>G40 150</p>	<p>Scavo Large pg 97</p>  <p>E11 60 GX24Q-2 18</p>	<p>Serengeti pg 97</p>  <p>A19 100 GX24Q-2 18</p>	<p>Soda pg 94</p>  <p>A19 75 GX24Q-2 18</p>	<p>Spirit pg 88</p>  <p>A19 75 GX24Q-2 18</p>
<p>Starry Night pg 90</p>  <p>A19 75 GX24Q-2 18</p>	<p>Suspense pg 93</p>  <p>A19 100 GX24Q-2 18</p>	<p>Taza pg 90</p>  <p>A19 75 GX24Q-2 18</p>		

COMPATIBLE FREEJACK HEADS AND PENDANTS

StraightLine Low-Voltage FreeJack Connector

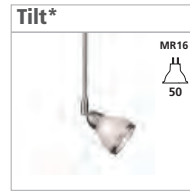
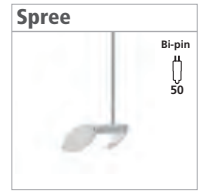
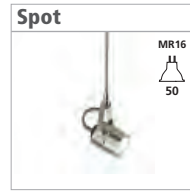
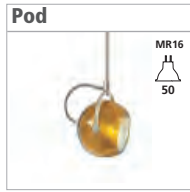
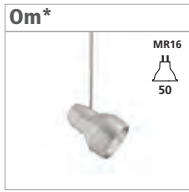
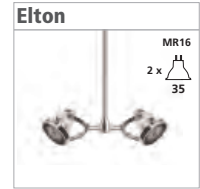
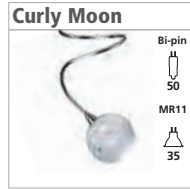
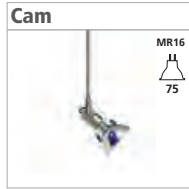
Use to adapt any low-voltage FreeJack head or pendant to a StraightLine system. Order one connector for each FreeJack element.



STRAIGHTLINE FREEJACK CONNECTOR

Includes 12 volt, 75 watt electronic transformer.
Dimmable with a standard incandescent dimmer.

700	SYSTEM	CHEDFJ	CONN/FINISH
SL	SINGLE-CIRCUIT STRAIGHTLINE		B BLACK W WHITE
SL2	TWO-CIRCUIT STRAIGHTLINE		



* Shown accessorized.
Accessories sold separately.

Autumn Wind  Bi-pin 35	Bedazzled  MR16 50	Biz  MR16 50	Cabo  Bi-pin 50	Camille  Bi-pin 50	Cheers  Bi-pin 7 x 10	Chromium  Bi-pin 50
Cone  Bi-pin 50	Crystal Bedazzled  MR16 50	Cube  Bi-pin 35	Egypt  MR16 50	Fab  Bi-pin 50	Fire  Bi-pin 50	Firebird  Bi-pin 50
Firefrost  Bi-pin 50	Gem  Bi-pin 50	Hanging Wok  MR16 50	Inner Fire  Bi-pin 50	Jaclien  Bi-pin 50	Melt  Bi-pin 50	Midnight  Bi-pin 50
Mini Echo  Bi-pin 50	Mini Edge  Bi-pin 50	Mini Larkspur  Bi-pin 2 x 35	Mini Melrose  Bi-pin 50	Mini Noir  MR16 50	Mini Ovation  Bi-pin 50	Mini Powell Street  Bi-pin 50
Mini Soda  Bi-pin 50	Mini Starry Night  Bi-pin 50	Mist  Bi-pin 50	Moon  Bi-pin 50 MR11 35	Niko  Bi-pin 50	Oak Park  Bi-pin 50	Parker  Bi-pin 50
Pinnacle  MR16 35 Bi-pin 50	Piper  MR16 50	Pleat  Bi-pin 50	Pompeii  Bi-pin 50	Prism  MR16 50	Pyramid  Bi-pin 35	Raindrop  Bi-pin 50
Roc  MR16 50	Savoy  Bi-pin 35	Scavo  Bi-pin 50	Sky  MR16 50	Small Nest  Bi-pin 50	Sophia  Bi-pin 50	Sugar  Bi-pin 50
Summit  MR16 35	Sydney  Bi-pin 50	Tetra  Bi-pin 50	Torpedo Pendant*  MR16 50	Vino  Bi-pin 50	Waffle  Bi-pin 50	Wand  Bi-pin 50
Water  Bi-pin 50						

* Shown accessorized.
Accessories sold separately.

STRAIGHTLINE

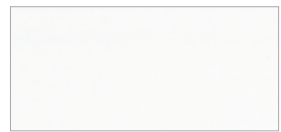


WHITE TWO-CIRCUIT STRAIGHTLINE

BLACK



WHITE



STRAIGHTLINE TRACK

Single-Circuit StraightLine track rated for up to a 20 amp circuit. Two-Circuit StraightLine is two-circuit track with each circuit having its own dedicated neutral for two separately switchable 20 amp circuits. Both are field-cuttable. Each section of track is shipped with two end caps to cover the open ends of track. Order additional caps if cutting and separating track sections.

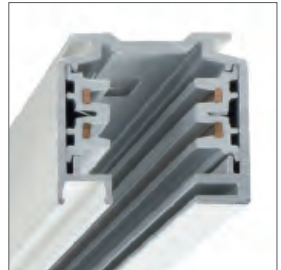
700	SYSTEM	A	LENGTH	FINISH
SL	SINGLE-CIRCUIT STRAIGHTLINE	48	4' (1.2 m)	B BLACK
		96	8' (2.4 m)	W WHITE
SL2	TWO-CIRCUIT STRAIGHTLINE	144	12' (3.6 m)	

SINGLE-CIRCUIT



3/4" height X 1 7/16" width

TWO-CIRCUIT



1 1/4" height X 1 7/16" width

CONNECTORS

Many connectors require you to specify the ground configuration when ordering. See diagrams for standard ground contact configuration option. **Diagrams are shown from above.**



END CAP

All sections of track are shipped with the required end cap on each end of the track. Order separately for each open end of the track if cutting and separating track sections.

700	SYSTEM	CCAP	FINISH
SL	SINGLE-CIRCUIT STRAIGHTLINE	B	BLACK
SL2	TWO-CIRCUIT STRAIGHTLINE	W	WHITE



CONDUCTIVE CONNECTOR

Joins sections of track together end to end.

700	SYSTEM	CCN	FINISH
SL	SINGLE-CIRCUIT STRAIGHTLINE	B	BLACK
SL2	TWO-CIRCUIT STRAIGHTLINE	W	WHITE



GROUND LEFT



GROUND RIGHT

T CONNECTOR

Joins sections of track together in a "T" configuration. Specify ground contact left or right.

700	SYSTEM	CT	TYPE	FINISH
SL	SINGLE-CIRCUIT STRAIGHTLINE	L	GROUND LEFT	B BLACK
		R	GROUND RIGHT	W WHITE
SL2	TWO-CIRCUIT STRAIGHTLINE			



X CONNECTOR

Joins sections of track together in an "X" configuration.

700	SYSTEM	CX	FINISH
SL	SINGLE-CIRCUIT STRAIGHTLINE	B	BLACK
SL2	TWO-CIRCUIT STRAIGHTLINE	W	WHITE



GROUND INSIDE



GROUND OUTSIDE

L CONNECTOR

Joins sections of track together in an "L" configuration. Specify ground contact inside or outside.

700	SYSTEM	CL	TYPE	FINISH
SL	SINGLE-CIRCUIT STRAIGHTLINE	I	GROUND INSIDE	B BLACK
		O	GROUND OUTSIDE	W WHITE
SL2	TWO-CIRCUIT STRAIGHTLINE			



FLEXIBLE CONNECTOR

Joins sections of track together end to end at desired angle (30° to 180°).

700	SYSTEM	FLX	FINISH
SL	SINGLE-CIRCUIT STRAIGHTLINE	B	BLACK
SL2	TWO-CIRCUIT STRAIGHTLINE	W	WHITE

Using a Power Feed Canopy

Standard power feed canopies mount to a standard 4" ceiling junction box with round plaster ring (provided by electrician) located directly above the track. Select the appropriate power feed based on the desired configuration of the track system. Many power feed options require you to specify the ground contact configuration when ordering, see diagrams for standard ground contact configuration options. **Diagrams are shown from above.**



POWER FEED CANOPY WITHOUT CONNECTOR

Use to power system from any point along track section.

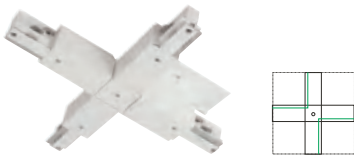
700	SYSTEM	P4C	FINISH
SL	SINGLE-CIRCUIT STRAIGHTLINE		B BLACK
SL2	TWO-CIRCUIT STRAIGHTLINE		W WHITE



POWER FEED CANOPY WITH CONNECTOR

Use to power system while joining sections of track together end to end.

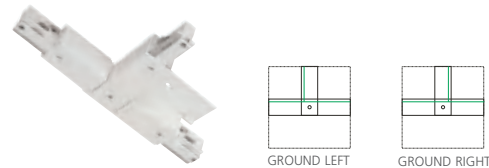
700	SYSTEM	P4CC	FINISH
SL	SINGLE-CIRCUIT STRAIGHTLINE		B BLACK
SL2	TWO-CIRCUIT STRAIGHTLINE		W WHITE



POWER FEED CANOPY WITH X CONNECTOR

Use to power system while joining four sections of track together in an "X" configuration.

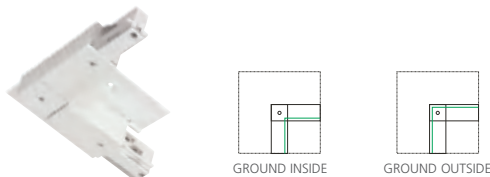
700	SYSTEM	P4CX	FINISH
SL	SINGLE-CIRCUIT STRAIGHTLINE		B BLACK
SL2	TWO-CIRCUIT STRAIGHTLINE		W WHITE



POWER FEED CANOPY WITH T CONNECTOR

Use to power system while joining three sections of track together in a "T" configuration. Specify ground contact left or right.

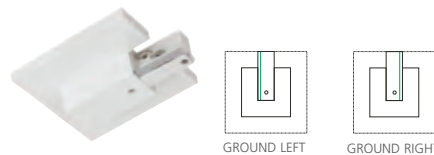
700	SYSTEM	P4CT	TYPE	FINISH
SL	SINGLE-CIRCUIT STRAIGHTLINE		L GROUND LEFT	B BLACK
SL2	TWO-CIRCUIT STRAIGHTLINE		R GROUND RIGHT	W WHITE



POWER FEED CANOPY WITH L CONNECTOR

Use to power system while joining two sections of track together in an "L" configuration. Specify ground contact inside or outside.

700	SYSTEM	P4CL	TYPE	FINISH
SL	SINGLE-CIRCUIT STRAIGHTLINE		I GROUND INSIDE	B BLACK
SL2	TWO-CIRCUIT STRAIGHTLINE		O GROUND OUTSIDE	W WHITE



POWER FEED CANOPY WITH END FEED

Mounts to a standard 4" wall junction box with round plaster ring (provided by electrician).

700	SYSTEM	P4CE	TYPE	FINISH
SL	SINGLE-CIRCUIT STRAIGHTLINE		L GROUND LEFT	B BLACK
SL2	TWO-CIRCUIT STRAIGHTLINE		R GROUND RIGHT	W WHITE



POWER JACK

Power Jack is an easy-to-use line-voltage monopoint system, available in antique bronze, satin nickel and white finishes. Simply choose your Power Jack canopy and mount it to a junction box. Then choose a compatible architectural head.

Our architectural heads offer a broad selection of lamp options to suit a full range of applications.



T~trak™: Power Jack Canopy Satin Nickel / Sportster with Incandescent PAR Head / PAR16 GU10 Lamp



DESIGN: WARREN ARCHITECTS, LTD

LOCATION: FUSE RESTAURANT - CHICAGO, IL

T~trak™: Power Jack Canopy White / Om with Incandescent PAR Head / PAR20 Lamp

Single-Circuit T~trak White / 4" Round Power Feed Canopy without Connector / 2" Rigid Standoff with Connector / Om with Incandescent PAR Heads / PAR20 Lamps



COMPATIBLE ARCHITECTURAL HEADS



POWER JACK CANOPY

Mounts to a standard 4" junction box with round plaster ring (provided by electrician). One Power Jack port; for ceiling mount only. For use with Power Jack heads below (sold separately).

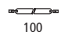




700PJCINC	FINISH
Z	ANTIQUE BRONZE
B	BLACK
S	SATIN NICKEL
W	WHITE



POWER JACK CANOPY
SHOWN WITH BREEZE HEAD

All of the line-voltage heads shown on these pages are available for Power Jack. Refer to the indicated pages for specifications and ordering codes.

Compatible Incandescent Heads (Canopy Sold Separately, above)

<p>Aero* pg 46</p>  <p>PAR 16 GU10</p>  <p>50</p>	<p>Breeze pg 50</p>  <p>PAR 30 Sho rt</p>  <p>75</p> <p>PAR 30 Lon g</p>  <p>75</p>	<p>Gamma pg 54-55</p>  <p>T3 RSC</p>  <p>100</p>	<p>Om* pg 60-61</p>  <p>PAR 16 GU10</p>  <p>50</p> <p>PAR 20</p>  <p>50</p> <p>PAR 30 Sho rt</p>  <p>75</p> <p>PAR 30 Lon g</p>  <p>75</p>	<p>Pod pg 63</p>  <p>PAR 16 GU10</p>  <p>50</p>
<p>Sportster* pg 67</p>  <p>PAR 16 GU10</p>  <p>50</p> <p>PAR 20</p>  <p>50</p> <p>PAR 30 Sho rt</p>  <p>75</p> <p>PAR 30 Lon g</p>  <p>75</p> <p>PAR 38</p>  <p>120</p>	<p>Spot pg 71</p>  <p>PAR 20</p>  <p>50</p> <p>PAR 30 Sho rt</p>  <p>75</p>	<p>Tweak pg 75</p>  <p>PAR 16 GU10</p>  <p>50</p> <p>PAR 20</p>  <p>50</p> <p>PAR 30 Sho rt</p>  <p>75</p> <p>PAR 30 Lon g</p>  <p>75</p> <p>PAR 38</p>  <p>120</p>		

* Shown accessorized.
Accessories sold separately.



POWER JACK CANOPY WITH CERAMIC METAL HALIDE BALLAST

Mounts to a standard 4" junction box with round plaster ring (provided by electrician). One Power Jack port; for ceiling mount only. For use with Power Jack heads below (sold separately). Specify canopy wattage to match element wattage; 20, 39 or 70.

700PJCCMH	WATTAGE	FINISH
20	20 WATTS	Z ANTIQUE BRONZE
39	39 WATTS	B BLACK
70	70 WATTS	S SATIN NICKEL
		W WHITE



POWER JACK CANOPY WITH CERAMIC METAL HALIDE BALLAST SHOWN WITH TWEAK HEAD AND PAR LOUVER LENS HOLDER

All of the line-voltage heads shown on these pages are available for Power Jack. Refer to the indicated pages for specifications and ordering codes.

Compatible CMH Heads (Canopy Sold Separately, above)

Breeze
pg 47-49



CMH T4.5 70	CMH PAR30 Lon g 70
----------------	-----------------------

Gamma
pg 52-53



CMH T4.5 70

Om
pg 56-59



CMH T4.5 70	CMH PAR20 39	CMH PAR30 Lon g 70
----------------	-----------------	-----------------------

Sportster*
pg 66



CMH PAR20 39	CMH PAR30 Lon g 70
-----------------	-----------------------

Spot*
pg 70



CMH PAR20 39

Tweak
pg 74



CMH PAR20 39	CMH PAR30 Lon g 70
-----------------	-----------------------

* Shown accessorized. Accessories sold separately.



ARCHITECTURAL HEADS *PAGES 44-77*

Aero with Incandescent PAR	46	Om with Low-Voltage MR16	60
Breeze with Ceramic Metal Halide PAR	47	Pod with Incandescent PAR	63
Breeze with Ceramic Metal Halide T4	48-49	Soma with Ceramic Metal Halide PAR	64
Breeze with Incandescent PAR	50	Sportster with Ceramic Metal Halide PAR	66
Gamma with Ceramic Metal Halide T4	52-53	Sportster with Incandescent PAR	67
Gamma with Double End Halogen	54-55	Spot with Ceramic Metal Halide PAR	70
Om with Ceramic Metal Halide MR16	56	Spot with Incandescent PAR	71
Om with Ceramic Metal Halide PAR	57	Tweak with Ceramic Metal Halide PAR	74
Om with Ceramic Metal Halide T4	58-59	Tweak with Incandescent PAR	75
Om with Incandescent PAR	61	Optical Controls	77

T~trak™: Single-Circuit T~trak Satin Nickel / 4" Round Power Feed Canopies without Connector / 24" Rigid Standoffs with Connector / Spot with Incandescent PAR Heads / PAR30 Short Lamps



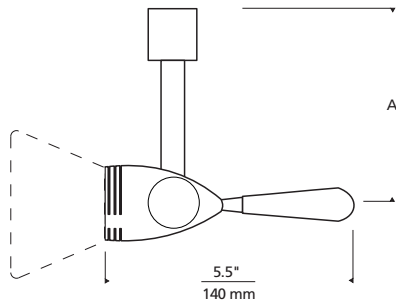
PHOTOGRAPH: COURTESY VESTA HOME
LOCATION: VESTA HOME - WASHINGTON, DC



AERO WITH INCANDESCENT PAR16,
TINKERBELL ACCESSORY

AERO with Incandescent PAR

Elegant, clean head rotates 350°, lamp pivots 180° to direct the beam. Accessory required; sold separately. Removable glass handle. Dimmable with standard incandescent dimmer.



SYSTEM

Available for Power Jack, Single-Circuit T~trak, Two-Circuit T~trak, Single-Circuit StraightLine and Two-Circuit StraightLine.

FINISH

Single-Circuit T~trak, Two-Circuit T~trak and Power Jack:
Antique Bronze: antique bronze connector with antique bronze head.
Satin Nickel: satin nickel connector with satin nickel head.
White: white connector with white head.

Single-Circuit StraightLine and Two-Circuit StraightLine:
Black/Satin Nickel: black connector with satin nickel head.
White/Satin Nickel: white connector with satin nickel head.
White/White: white connector with white head.

LAMP

120 volt incandescent PAR16 lamp with GU10 base, up to 50 watts (lamp not included). See pp. 99-106 for photometrics and lamp information.

ACCESSORIES

Aero Accessory required (sold separately, see below): Round Glass Shield, Tinkerbell or Cone Glass Shield. Holds up to two, sold separately: Eggcrate Louver, Glass Lens, UV Filter. See p. 77 for complete listing.

System Connectors

Heads ordered with a system prefix include a connector for that system.

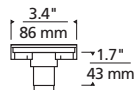
SINGLE-CIRCUIT
T~TRAK



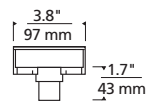
TWO-CIRCUIT
T~TRAK



SINGLE-CIRCUIT
STRAIGHTLINE



TWO-CIRCUIT
STRAIGHTLINE



Accessories

ROUND GLASS ACCESSORY

700RGL

COLOR

- A AMBER
- B COBALT
- F FROST

TINKERBELL ACCESSORY

700TBL

FINISH

- Z ANTIQUE BRONZE
- S SATIN NICKEL
- W WHITE

CONE GLASS ACCESSORY

700CGL

COLOR

- A AMBER
- B COBALT
- F FROST

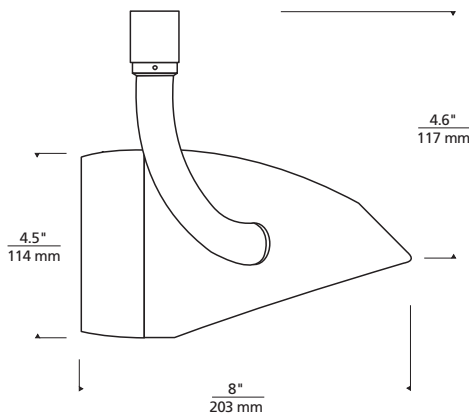
700	SYSTEM	AE	TYPE	LENGTH (A)	PJ, TT + TT2 FINISH
PJ	POWERJACK		16 PAR16	03 3"	Z ANTIQUE BRONZE
TT	SINGLE-CIRCUIT T~TRAK			06 6"	S SATIN NICKEL
TT2	TWO-CIRCUIT T~TRAK			12 12"	W WHITE
SL	SINGLE-CIRCUIT STRAIGHTLINE			18 18"	SL + SL2 CONN/FINISH
SL2	TWO-CIRCUIT STRAIGHTLINE				B5 BLACK/SATIN NICKEL WS WHITE/SATIN NICKEL WW WHITE/WHITE



BREEZE WITH CERAMIC METAL HALIDE PAR30 LONG,
AMBER LENS RING

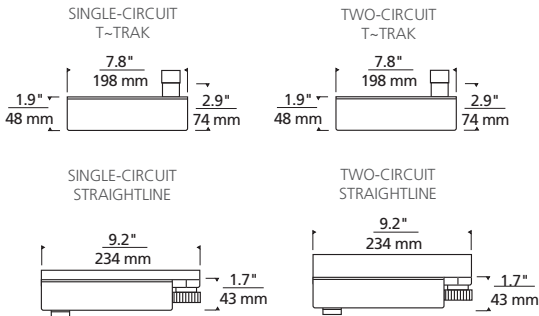
BREEZE with Ceramic Metal Halide PAR

Organic shaped die cast aluminum head, pivots vertically 180°, rotates horizontally 350°. Features vertical and horizontal locking mechanisms and decorative lens ring.



System Connectors

Heads ordered with a system prefix include a connector for that system.



Lens Ring Options



SYSTEM

Available for Power Jack, Single-Circuit T~trak, Two-Circuit T~trak, Single-Circuit StraightLine and Two-Circuit StraightLine.

FINISH

Single-Circuit T~trak, Two-Circuit T~trak and Power Jack:
Satin Nickel: satin nickel connector with satin nickel head.
White: white connector with white head.

Single-Circuit StraightLine and Two-Circuit StraightLine:
Black/Satin Nickel: black connector with satin nickel head.
White/Satin Nickel: white connector with satin nickel head.
White/White: white connector with white head.

BALLAST

Includes energy-saving electronic ballast in slim aluminum die cast housing. Input voltage 120v 50/60 hertz, THD <10%. Power Jack version is compatible with Power Jack Canopy with Ballast (sold separately).

LAMP

120 volt ceramic metal halide PAR30 Long lamp with E26 medium base up to 70 watts (lamp not included). See pp. 99-106 for photometrics and lamp information.

LENS RING

Satin nickel or white body with amber, cobalt, frost or solid (to match finish selection) lens ring.

OPTICAL CONTROLS

Holds up to two, sold separately: Eggcrate Louver, Glass Lens, UV Filter. See p. 77 for complete listing.

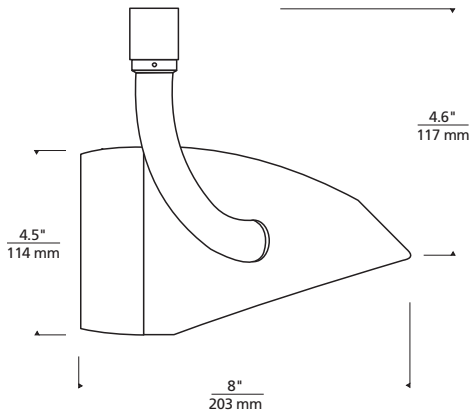
700	SYSTEM	BZC	TYPE	WATTAGE	LENS RING	PJ, TT & TT2 FINISH
	PJ	POWER JACK	30L PAR30 LONG	3 39 WATT	A AMBER	S SATIN NICKEL
	TT	SINGLE-CIRCUIT T~TRAK		7 70 WATT	B COBALT	W WHITE
	TT2	TWO-CIRCUIT T~TRAK			F FROST	
	SL	SINGLE-CIRCUIT STRAIGHTLINE			S SOLID	SL & SL2 CONN/FINISH
	SL2	TWO-CIRCUIT STRAIGHTLINE				BS BLACK/SATIN NICKEL
						WS WHITE/SATIN NICKEL
						WW WHITE/WHITE



BREEZE WITH CERAMIC METAL HALIDE T4,
SOLID LENS RING

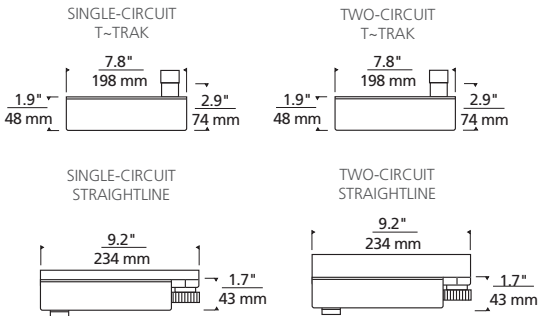
BREEZE with Ceramic Metal Halide T4

Organic shaped die cast aluminum head, pivots vertically 180°, rotates horizontally 350°. Features vertical and horizontal locking mechanisms and decorative lens ring. Four beam spread options with specular reflector and UV filtering glass lens.



System Connectors

Heads ordered with a system prefix include a connector for that system.



Lens Ring Options



SYSTEM

Available for Power Jack, Single-Circuit T~trak, Two-Circuit T~trak, Single-Circuit StraightLine and Two-Circuit StraightLine.

FINISH

Single-Circuit T~trak, Two-Circuit T~trak and Power Jack:
Satin Nickel: satin nickel connector with satin nickel head.
White: white connector with white head.

Single-Circuit StraightLine and Two-Circuit StraightLine:
Black/Satin Nickel: black connector with satin nickel head.
White/Satin Nickel: white connector with satin nickel head.
White/White: white connector with white head.

BALLAST

Includes energy-saving electronic ballast in slim aluminum die cast housing. Input voltage 120v 50/60 hertz, THD <10%. Power Jack version is compatible with Power Jack Canopy with ballast (sold separately).

LAMP

120 volt ceramic metal halide T4.5 lamp with G8.5 base up to 70 watts (lamp not included). See pp. 99-106 for additional photometrics and lamp information.

LENS RING

Satin nickel or white body with amber, cobalt, frost or solid (to match finish selection) lens ring.

OPTICAL CONTROLS

Holds up to two (PAR30 size), sold separately: Eggcrate Louver, Glass Lens, UV Filter. See p. 77 for complete listing.

700	SYSTEM	BZT4	REFLECTOR	WATTAGE	LENS RING	PJ, TT + TT2 FINISH
	PJ POWER JACK		1 15 DEGREE	2 20 WATT	A AMBER	S SATIN NICKEL
	TT SINGLE-CIRCUIT T-TRAK		3 30 DEGREE	3 39 WATT	B COBALT	W WHITE
	TT2 TWO-CIRCUIT T-TRAK		4 45 DEGREE	7 70 WATT	F FROST	SL + SL2 CONN/FINISH
	SL SINGLE-CIRCUIT STRAIGHTLINE		6 60 DEGREE		S SOLID	BS BLACK/SATIN NICKEL
	SL2 TWO-CIRCUIT STRAIGHTLINE					WS WHITE/SATIN NICKEL
						WW WHITE/WHITE

Photometric Report

Luminaire:

Fabricated metal housing, formed multi-faceted metal reflector with premium specular finish, clear flat glass lens in semi-specular metal trim ring.

Lamp:

One 39 watt clear T4.5 ceramic metal halide.

Ballast:

120 volt 50/60 hertz, THD < 10%

Initial Lumens:

3,400

Color Temperature:

3000° K

Color Rendering Index:

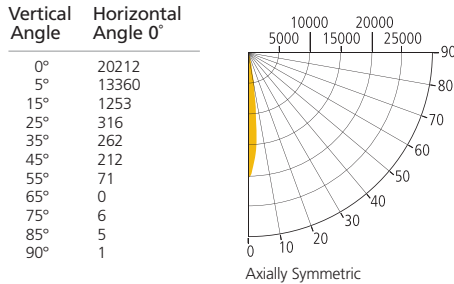
>80

Rated Average Life:

9,000 hours

15° reflector, 39 watt lamp

File name: lv_hds_breeze_CMH_T4_15.ies

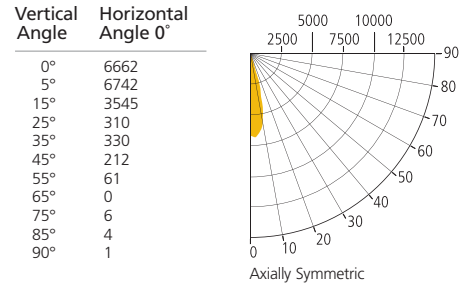


Zonal Lumen Summary

Zone	Lumens	%Lamp	%Fixt
0°-30°	1529.3	46.3	79.3
0°-40°	1693.0	51.3	87.8
0°-60°	1917.2	58.1	99.4
60°-90°	11.2	0.3	0.6
0°-90°	1928.4	58.4	100.0
90°-180°	0.0	0.0	0.0
0°-180°	1928.4	58.4	100.0

30° reflector, 39 watt lamp

File name: lv_hds_breeze_CMH_T4_30.ies

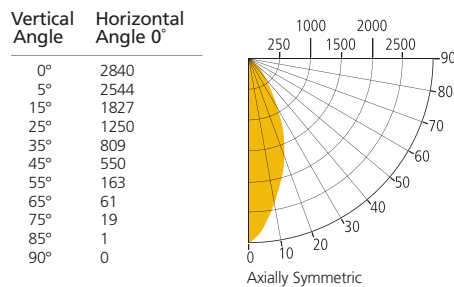


Zonal Lumen Summary

Zone	Lumens	%Lamp	%Fixt
0°-30°	1748.8	53.0	80.2
0°-40°	1948.2	59.0	89.4
0°-60°	2167.9	65.7	99.5
60°-90°	11.9	0.4	0.5
0°-90°	2179.8	66.1	100.0
90°-180°	0.0	0.0	0.0
0°-180°	2179.8	66.1	100.0

45° reflector, 39 watt lamp

File name: lv_hds_breeze_CMH_T4_45.ies

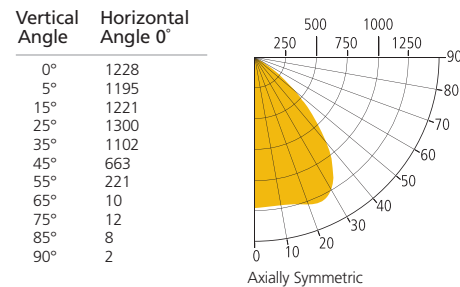


Zonal Lumen Summary

Zone	Lumens	%Lamp	%Fixt
0°-30°	1312.3	39.2	53.0
0°-40°	1824.0	54.5	73.6
0°-60°	2390.3	71.4	96.4
60°-90°	88.0	2.6	3.6
0°-90°	2478.3	74.1	100.0
90°-180°	0.0	0.0	0.0
0°-180°	2478.3	74.1	100.0

60° reflector, 39 watt lamp

File name: lv_hds_breeze_CMH_T4_60.ies



Zonal Lumen Summary

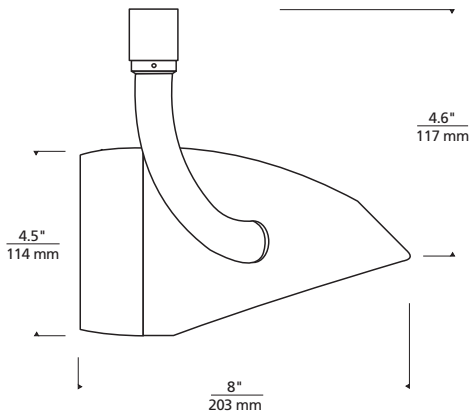
Zone	Lumens	%Lamp	%Fixt
0°-30°	1057.3	32.0	42.5
0°-40°	1738.3	52.7	69.9
0°-60°	2450.5	74.3	98.5
60°-90°	38.1	1.2	1.5
0°-90°	2488.7	75.4	100.0
90°-180°	0.0	0.0	0.0
0°-180°	2488.7	75.4	100.0



BREEZE WITH INCANDESCENT PAR30 SHORT,
FROST LENS RING

BREEZE with Incandescent PAR

Organic shaped die cast aluminum head, pivots vertically 180°, rotates horizontally 350°. Features vertical and horizontal locking mechanisms and decorative lens ring. Dimmable with standard incandescent dimmer.



System Connectors

Heads ordered with a system prefix include a connector for that system.

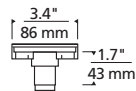
SINGLE-CIRCUIT
T~TRAK



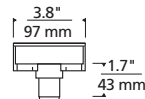
TWO-CIRCUIT
T~TRAK



SINGLE-CIRCUIT
STRAIGHTLINE



TWO-CIRCUIT
STRAIGHTLINE



Lens Ring Options



SYSTEM

Available for Power Jack, Single-Circuit T~trak, Two-Circuit T~trak, Single-Circuit StraightLine and Two-Circuit StraightLine.

FINISH

Single-Circuit T~trak, Two-Circuit T~trak and Power Jack:
Satin Nickel: satin nickel connector with satin nickel head.
White: white connector with white head.

Single-Circuit StraightLine and Two-Circuit StraightLine:
Black/Satin Nickel: black connector with satin nickel head.
White/Satin Nickel: white connector with satin nickel head.
White/White: white connector with white head.

LAMP

120 volt incandescent PAR30 Short or PAR30 Long lamp with E26 medium base up to 75 watts (not included). See pp. 99-106 for photometrics and lamp information.

LENS RING

Satin nickel or white body with amber, cobalt, frost or solid (to match finish selection) lens ring.

OPTICAL CONTROLS

Holds up to two, sold separately: Eggcrate Louver, Glass Lens, UV Filter. See p. 77 for complete listing.

700	SYSTEM	BZ	TYPE	LENS RING	PJ, TT + TT2 FINISH
PJ	POWER JACK		30L PAR30 LONG	A AMBER	S SATIN NICKEL
TT	SINGLE-CIRCUIT T~TRAK		30S PAR30 SHORT	B COBALT	W WHITE
				F FROST	
TT2	TWO-CIRCUIT T~TRAK			S SOLID	SL + SL2 CONN/FINISH
SL	SINGLE-CIRCUIT STRAIGHTLINE				BS BLACK/SATIN NICKEL
					WS WHITE/SATIN NICKEL
SL2	TWO-CIRCUIT STRAIGHTLINE				WW WHITE/WHITE

T~trak™: Single-Circuit T~trak Satin Nickel / 4" Round Power Feed Canopy without Connector / Adjustable Standoffs with Connector / Flexible Connector / Breeze with Incandescent PAR Heads / PAR30 Lamps



PHOTOGRAPHER: MATT LAUSE

LIGHTING DESIGNER: ABERNATHY LIGHTING DESIGN

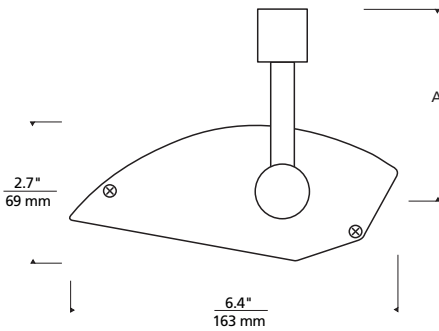
DESIGNER: JACK ROUSE ASSOCIATES

LOCATION: GATEWAY AUTO MUSEUM - GATEWAY, CO



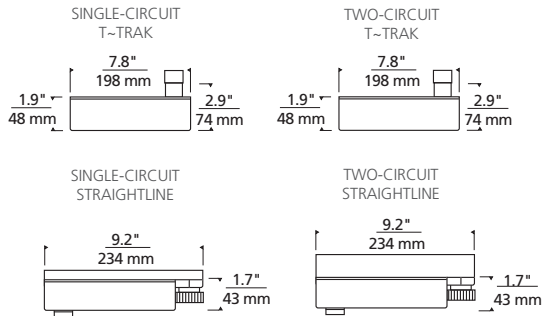
GAMMA with Ceramic Metal Halide T4

Compact extruded aluminum wall wash, pivots vertically 180°, rotates horizontally 350°. Features vertical and horizontal locking mechanisms. 6" in width. Includes specular asymmetric wall wash reflector optimized for uniform light distribution.



System Connectors

Heads ordered with a system prefix include a connector for that system.



SYSTEM

Available for Power Jack, Single-Circuit T~trak, Two-Circuit T~trak, Single-Circuit StraightLine and Two-Circuit StraightLine.

FINISH

Single-Circuit T~trak, Two-Circuit T~trak and Power Jack:

Satin Nickel: satin nickel connector with satin nickel head.

White: white connector with white head.

Single-Circuit and Two-Circuit StraightLine:

Black/Satin Nickel: black connector with satin nickel head.

White/Satin Nickel: white connector with satin nickel head.

White/White: white connector with white head.

BALLAST

Includes energy-saving electronic ballast in slim aluminum die cast housing. Input voltage 120v 50/60 hertz, THD <10%. Power Jack version is compatible with Power Jack Canopy with Ballast (sold separately).

LAMP

120 volt ceramic metal halide T4.5 lamp with G8.5 base, up to 70 watts (lamp not included). See pp. 99-106 for additional photometrics and lamp information.

OPTICAL CONTROLS

Includes glass lens.

700 SYSTEM	GMT4	WATTAGE	LENGTH (A)	PJ, TT + TT2 FINISH
PJ POWER JACK	2	20 WATT	03 2.6"	S SATIN NICKEL
TT SINGLE-CIRCUIT T~TRAK	3	39 WATT	06 5.1"	W WHITE
TT2 TWO-CIRCUIT T~TRAK	7	70 WATT	12 11.1"	SL & SL2 CONN/FINISH
SL SINGLE STRAIGHTLINE			18 17.1"	B5 BLACK/SATIN NICKEL
SL2 TWO-CIRCUIT STRAIGHTLINE				W5 WHITE/SATIN NICKEL
				WW WHITE/WHITE

Photometric Report

Luminaire:

Extruded metal housing with cast metal end plates, fabricated specular textured metal reflector, molded black plastic socket, clear flat glass in extruded metal door frame.

Ballast:

120 volt 50/60 hertz, PF > .90

Color Rendering Index:

>80

Initial Lumens:

3,400

Rated Average Life:

9,000 hours

Lamp:

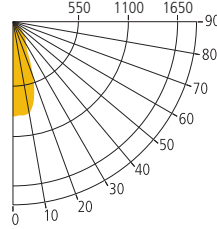
One 39 watt clear T-4.5 Ceramic Metal Halide.

Color Temperature:

3000° K

File name: lv_hds_gamma_cmht4.ies

Vertical Angle	Horizontal Angle					Zonal Lumens
	0°	45°	90°	135°	180°	
0°	757	757	757	757	757	78
5°	1197	1032	753	562	522	257
15°	1636	1573	759	341	277	400
25°	1518	1685	642	219	192	426
35°	1226	1433	385	153	146	369
45°	903	997	239	98	102	307
55°	642	651	181	65	69	205
65°	406	459	97	37	46	52
75°	60	61	29	17	25	8
85°	3	6	6	4	8	6
90°	0	0	0	0	0	



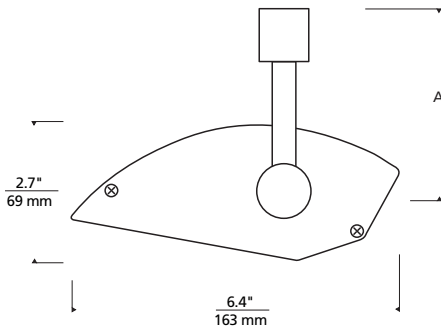
Zonal Lumen Summary

Zone	Lumens	%Lamp	%Fixt
0°-30°	736.0	21.6	35.0
0°-40°	1161.0	34.2	55.3
0°-60°	1837.0	54.0	87.5
0°-90°	2100.0	61.8	100.0
90°-180°	0.0	0.0	0.0
0°-180°	2100.0	61.8	100.0



GAMMA with Double End Halogen

Compact extruded aluminum wall wash, pivots vertically 180°, rotates horizontally 350°. Features vertical and horizontal locking mechanisms. 6" in width. Specular asymmetric wall wash reflector optimized for uniform light distribution. Dimmable with a standard incandescent dimmer.



SYSTEM

Available for Power Jack, Single-Circuit T~trak, Two-Circuit T~trak, Single-Circuit StraightLine and Two-Circuit StraightLine.

FINISH

Single-Circuit T~trak, Two-Circuit T~trak and Power Jack:
Satin Nickel: satin nickel connector with satin nickel head.
White: white connector with white head.

Single-Circuit StraightLine and Two-Circuit StraightLine:
Black/Satin Nickel: black connector with satin nickel head.
White/Satin Nickel: white connector with satin nickel head.
White/White: white connector with white head.

LAMP

120 volt T3 double end halogen lamp with RSC base 3.125" length up to 100 watts (lamp not included). See pp. 99-106 for additional photometrics and lamp information.

OPTICAL CONTROLS

Includes glass lens.

System Connectors

Heads ordered with a system prefix include a connector for that system.

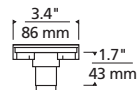
SINGLE-CIRCUIT
T~TRAK



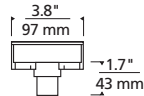
TWO-CIRCUIT
T~TRAK



SINGLE-CIRCUIT
STRAIGHTLINE



TWO-CIRCUIT
STRAIGHTLINE



700	SYSTEM	GMDB	LENGTH (A)	FINISH	PJ, TT + TT2 FINISH
	PJ POWER JACK		03 2.6"	S SATIN NICKEL	S SATIN NICKEL
	TT SINGLE-CIRCUIT T~TRAK		06 5.1"	W WHITE	W WHITE
	TT2 TWO-CIRCUIT T~TRAK		12 11.1"		
			18 17.1"		
	SL SINGLE-CIRCUIT STRAIGHTLINE				SL + SL2 CONN/FINISH
	SL2 TWO-CIRCUIT STRAIGHTLINE				BS BLACK/SATIN NICKEL WS WHITE/SATIN NICKEL WW WHITE/WHITE

Photometric Report

Luminaire:

Extruded metal housing with cast metal end plates, fabricated specular textured metal reflector, cast diffuse metal socket stems, clear flat glass in extruded metal door frame.

Ballast:

120 volt 50/60 hertz, PF > .90

Color Rendering Index:

100

Initial Lumens:

1,650

Rated Average Life:

2,000 hours

Lamp:

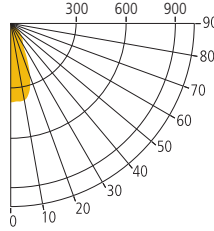
One 100 watt clear T-3 double ended halogen incandescent.

Color Temperature:

2950° K

File name: lv_hds_gamma_hal.ies

Vertical Angle	Horizontal Angle					Zonal Lumens
	0°	45°	90°	135°	180°	
0°	352	352	352	352	352	
5°	499	452	354	272	251	36
15°	867	818	348	169	141	128
25°	818	888	275	113	104	205
35°	685	746	152	77	78	219
45°	486	506	97	50	57	187
55°	315	339	73	34	39	149
65°	190	210	41	19	23	98
75°	25	26	13	6	8	26
85°	1	2	3	1	1	2
90°	0	0	0	0	0	



Zonal Lumen Summary

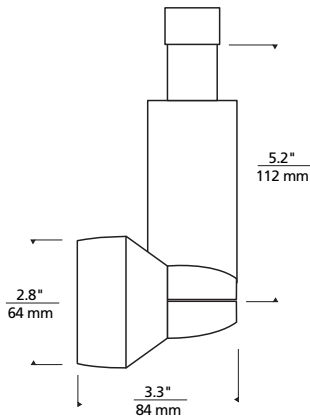
Zone	Lumens	%Lamp	%Fixt
0°-30°	369.0	22.4	35.2
0°-40°	588.0	35.6	56.0
0°-60°	923.0	56.0	88.0
0°-90°	1049.0	63.6	100.0
90°-180°	0.0	0.0	0.0
0°-180°	1049.0	63.6	100.0



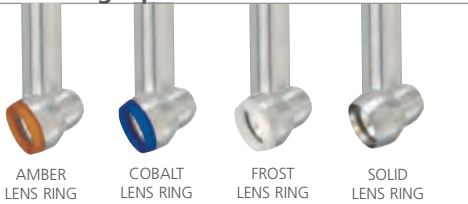
OM WITH CERAMIC METAL HALIDE MR16,
SOLID LENS RING

OM with Ceramic Metal Halide MR16

Versatile die cast aluminum head with integrated ballast, pivots vertically 180°, rotates horizontally 350°. Features decorative lens ring.



Lens Ring Options



SYSTEM

Available for Single-Circuit T~trak.

FINISH

Satin Nickel: satin nickel connector with satin nickel head.
White: white connector with white head.

BALLAST

Includes integrated energy-saving electronic ballast, slim aluminum die cast housing. Input voltage 120v 50/60 hertz, THD <10%.

LAMP

120 volt ceramic metal halide MR16 lamp with GX10 base, 20 watts (lamp not included). See pp. 99-106 for photometrics and lamp information.

LENS RING

Satin nickel or white body with amber, cobalt, frost or solid (to match finish selection) lens ring.

OPTICAL CONTROLS

Holds up to two, sold separately: Eggcrate Louver, Glass Lens, UV Filter. See p. 77 for complete listing.

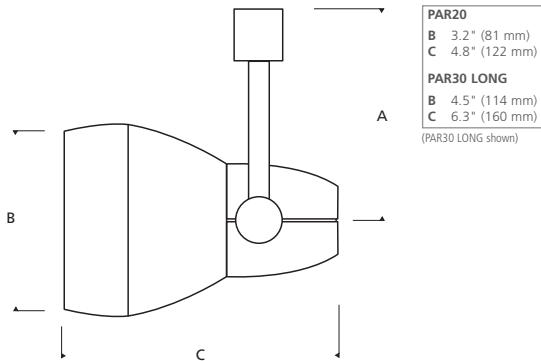
700	SYSTEM	OMC	TYPE	LENS RING	FINISH
TT	SINGLE-CIRCUIT T~TRAK	N162	CMH MR16	A AMBER B COBALT F FROST S SOLID	S SATIN NICKEL W WHITE



OM WITH CERAMIC METAL HALIDE PAR20,
SOLID LENS RING

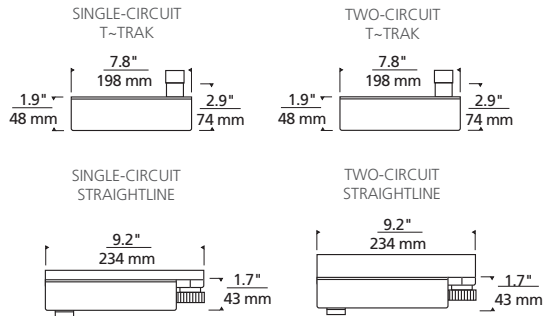
OM with Ceramic Metal Halide PAR

Versatile die cast aluminum head, pivots vertically 180°, rotates horizontally 350°. Features vertical and horizontal locking mechanisms and decorative lens ring.



System Connectors

Heads ordered with a system prefix include a connector for that system.



Lens Ring Options



SYSTEM

Available for Power Jack, Single-Circuit T~trak, Two-Circuit T~trak, Single-Circuit StraightLine and Two-Circuit StraightLine.

FINISH

Single-Circuit T~trak, Two-Circuit T~trak and Power Jack:
Satin Nickel: satin nickel connector with satin nickel head.
White: white connector with white head.

Single-Circuit StraightLine and Two-Circuit StraightLine:
Black/Satin Nickel: black connector with satin nickel head.
White/Satin Nickel: white connector with satin nickel head.
White/White: white connector with white head.

BALLAST

Includes energy-saving electronic ballast in slim aluminum die cast housing. Input voltage 120v 50/60 hertz, THD <10%. Power Jack version is compatible with Power Jack Canopy with Ballast (sold separately).

LAMP

120 volt ceramic metal halide PAR20 lamp with E26 medium base, up to 39 watts; PAR30 long lamp up to 70 watts (lamp not included). See pp. 99-106 for photometrics and lamp information.

LENS RING

Satin nickel or white body with amber, cobalt, frost or solid (to match finish selection) lens ring.

OPTICAL CONTROLS

Holds up to two, sold separately: Eggcrate Louver, Glass Lens, UV Filter. See p. 77 for complete listing.

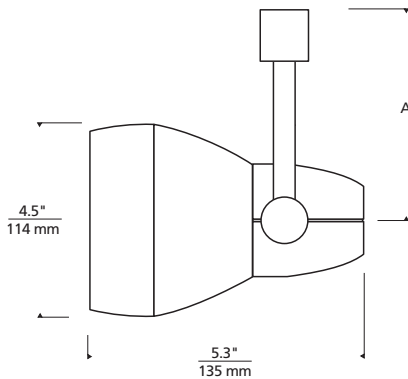
700	SYSTEM	OMC	TYPE	WATTAGE	LENGTH (A)	LENS RING	PJ, TT + TT2 FINISH
	PJ POWER JACK	20	PAR20	3 39 WATT	03 2.1"	A AMBER	S SATIN NICKEL
	TT SINGLE-CIRCUIT T-TRAK	30L	PAR30 LONG	7 70 WATT (PAR30 ONLY)	06 5.1" 12 11.1" 18 17.1"	B COBALT F FROST S SOLID	W WHITE SL + SL2 CONN/FINISH
	TT2 TWO-CIRCUIT T-TRAK						
	SL SINGLE-CIRCUIT STRAIGHTLINE						B5 BLACK/SATIN NICKEL WS WHITE/SATIN NICKEL
	SL2 TWO-CIRCUIT STRAIGHTLINE						WW WHITE/WHITE



OM WITH CERAMIC METAL HALIDE T4,
SOLID LENS RING

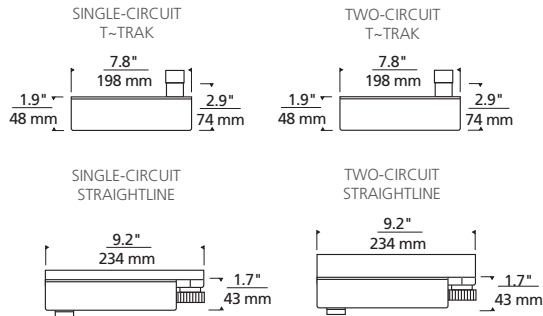
OM with Ceramic Metal Halide T4

Versatile die cast aluminum head, pivots vertically 180°, rotates horizontally 350°. Features vertical and horizontal locking mechanisms and decorative lens ring. Four beam spread options with specular reflector.



System Connectors

Heads ordered with a system prefix include a connector for that system.



Lens Ring Options



SYSTEM

Available for Power Jack, Single-Circuit T~trak, Two-Circuit T~trak, Single-Circuit StraightLine and Two-Circuit StraightLine.

FINISH

Single-Circuit T~trak, Two-Circuit T~trak and Power Jack:
Satin Nickel: satin nickel connector with satin nickel head.
White: white connector with white head.

Single-Circuit StraightLine and Two-Circuit StraightLine:
Black/Satin Nickel: black connector with satin nickel head.
White/Satin Nickel: white connector with satin nickel head.
White/White: white connector with white head.

BALLAST

Includes energy-saving electronic ballast in slim aluminum die cast housing. Input voltage 120v 50/60 hertz, THD <10%. Power Jack version is compatible with Power Jack Canopy with Ballast (sold separately).

LAMP

120 volt ceramic metal halide T4.5 lamp with G8.5 base, up to 70 watts (lamp not included). See pp. 99-106 for additional photometrics and lamp information.

LENS RING

Satin nickel or white body with amber, cobalt, frost or solid (to match finish selection) lens ring.

OPTICAL CONTROLS

Holds up to two (PAR30 size), sold separately: Eggcrate Louver, Glass Lens, UV Filter. See p. 77 for complete listing.

700 SYSTEM	OMT4	REFLECTOR	WATTAGE	LENGTH (A)	LENS RING	PJ, TT + TT2 FINISH
PJ	POWER JACK	1 15 DEGREE	2 20 WATT	03 2.1"	A AMBER	S SATIN NICKEL
TT	SINGLE-CIRCUIT T-TRAK	3 30 DEGREE	3 39 WATT	06 5.1"	B COBALT	W WHITE
		4 45 DEGREE	7 70 WATT	12 11.1"	F FROST	
TT2	TWO-CIRCUIT T-TRAK	6 60 DEGREE		18 17.1"	S SOLID	SL + SL2 CONN/FINISH
SL	SINGLE-CIRCUIT STRAIGHTLINE					B5 BLACK/SATIN NICKEL
SL2	TWO-CIRCUIT STRAIGHTLINE					WS WHITE/SATIN NICKEL
						WW WHITE/WHITE

Photometric Report

Luminaire:

Fabricated metal housing, formed multi-faceted metal reflector with premium specular finish, clear flat glass lens in semi-specular metal trim ring.

Lamp:

One 39 watt clear T-4.5 ceramic metal halide.

Ballast:

120 volt 50/60 hertz, THD < 10%

Initial Lumens:

3,400

Color Temperature:

3000° K

Color Rendering Index:

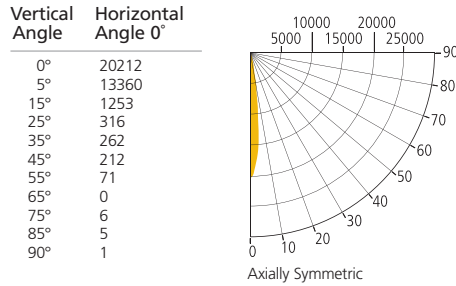
>80

Rated Average Life:

9,000 hours

15° reflector, 39 watt lamp

File name: lv_hds_breeze_CMH_T4_15.ies

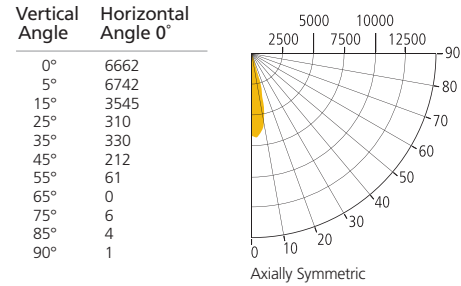


Zonal Lumen Summary

Zone	Lumens	%Lamp	%Fixt
0°-30°	1529.3	46.3	79.3
0°-40°	1693.0	51.3	87.8
0°-60°	1917.2	58.1	99.4
60°-90°	11.2	0.3	0.6
0°-90°	1928.4	58.4	100.0
90°-180°	0.0	0.0	0.0
0°-180°	1928.4	58.4	100.0

30° reflector, 39 watt lamp

File name: lv_hds_breeze_CMH_T4_30.ies

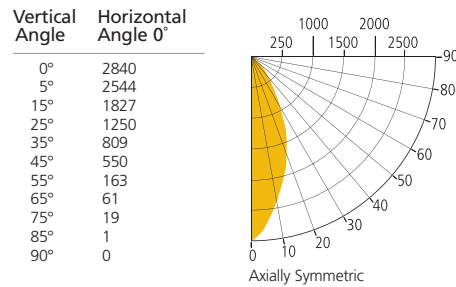


Zonal Lumen Summary

Zone	Lumens	%Lamp	%Fixt
0°-30°	1748.8	53.0	80.2
0°-40°	1948.2	59.0	89.4
0°-60°	2167.9	65.7	99.5
60°-90°	11.9	0.4	0.5
0°-90°	2179.8	66.1	100.0
90°-180°	0.0	0.0	0.0
0°-180°	2179.8	66.1	100.0

45° reflector, 39 watt lamp

File name: lv_hds_breeze_CMH_T4_45.ies

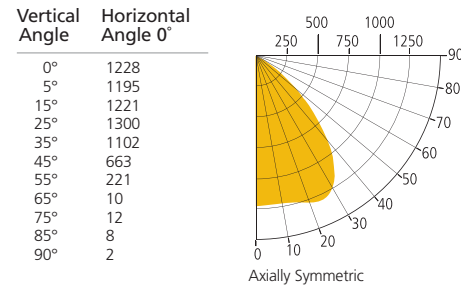


Zonal Lumen Summary

Zone	Lumens	%Lamp	%Fixt
0°-30°	1312.3	39.2	53.0
0°-40°	1824.0	54.5	73.6
0°-60°	2390.3	71.4	96.4
60°-90°	88.0	2.6	3.6
0°-90°	2478.3	74.1	100.0
90°-180°	0.0	0.0	0.0
0°-180°	2478.3	74.1	100.0

60° reflector, 39 watt lamp

File name: lv_hds_breeze_CMH_T4_60.ies



Zonal Lumen Summary

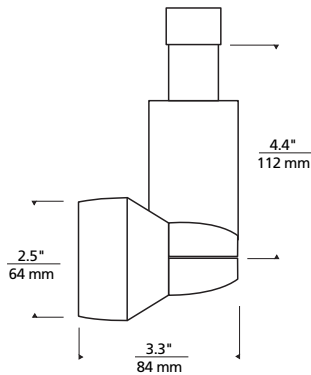
Zone	Lumens	%Lamp	%Fixt
0°-30°	1057.3	32.0	42.5
0°-40°	1738.3	52.7	69.9
0°-60°	2450.5	74.3	98.5
60°-90°	38.1	1.2	1.5
0°-90°	2488.7	75.4	100.0
90°-180°	0.0	0.0	0.0
0°-180°	2488.7	75.4	100.0



OM WITH LOW-VOLTAGE MR16,
SOLID LENS RING

OM with Low-Voltage MR16

Versatile die cast aluminum head with integrated 12 volt transformer, pivots vertically 260°, rotates horizontally 360°. Features decorative lens ring. Dimmable with standard incandescent dimmer.



SYSTEM

Available for Single-Circuit T~trak.

FINISH

Satin Nickel: satin nickel connector with satin nickel head.
White: white connector with white head.

BALLAST

Includes integrated 12 volt 75 watt electronic transformer in slim aluminum die cast housing.

LAMP

Low-voltage, MR16 lamp, up to 50 watts (lamp not included).
See pp. 99-106 for photometrics and lamp information.

Lens Ring Options



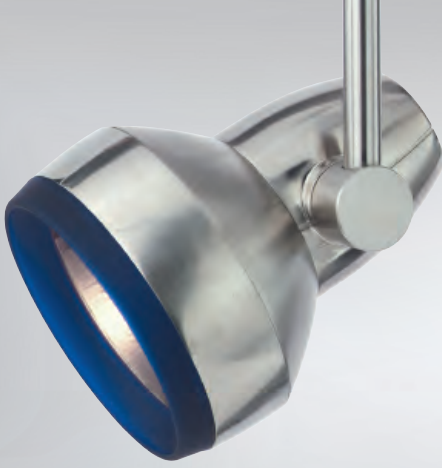
LENS RING

Satin nickel or white body with amber, clear, frost, onyx, solid (to match finish selection) or translucent amber lens ring.

OPTICAL CONTROLS

Holds up to two, sold separately: Eggcrate Louver, Glass Lens, UV Filter.
See p. 77 for complete listing.

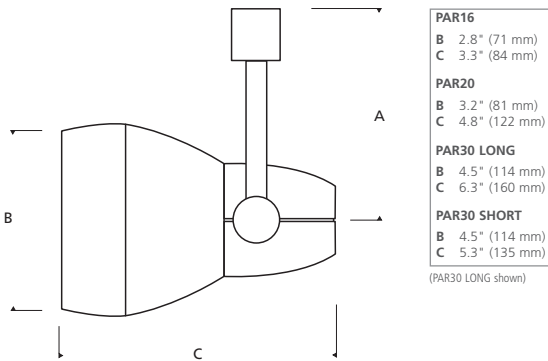
700	SYSTEM	OM	TYPE	LENS RING	FINISH
TT	SINGLE-CIRCUIT T~TRAK	N16	MR16	A AMBER CC CLEAR F FROST O ONYX S SOLID METAL AC TRANSLUCENT AMBER	S SATIN NICKEL W WHITE



OM WITH INCANDESCENT PAR30 SHORT,
COBALT LENS RING

OM with Incandescent PAR

Versatile die cast aluminum head, pivots vertically 180°, rotates horizontally 350°. Features vertical and horizontal locking mechanisms and decorative lens ring. Dimmable with standard incandescent dimmer.



SYSTEM

Available for Power Jack, Single-Circuit T~trak, Two-Circuit T~trak, Single-Circuit StraightLine and Two-Circuit StraightLine.

FINISH

Single-Circuit T~trak, Two-Circuit T~trak and Power Jack:

Antique Bronze: antique bronze connector with antique bronze head.
Satin Nickel: satin nickel connector with satin nickel head.
White: white connector with white head.

Single-Circuit StraightLine and Two-Circuit StraightLine:

Black/Satin Nickel: black connector with satin nickel head.
White/Satin Nickel: white connector with satin nickel head.
White/White: white connector with white head.

LAMP

120 volt incandescent PAR16 lamp with GU10 base, up to 50 watts;
120 volt incandescent PAR20 lamp with E26 medium base, up to 50 watts;
PAR30 Long or PAR30 Short lamp with E26 medium base, up to 75 watts (lamp not included). See pp. 99-106 for photometrics and lamp information.

LENS RING

Antique bronze, satin nickel or white body with amber, cobalt, frost or solid (to match finish selection) lens ring.

OPTICAL CONTROLS

Holds up to two, sold separately: Eggcrate Louver, Glass Lens, UV Filter.
See p. 77 for complete listing.

System Connectors

Heads ordered with a system prefix include a connector for that system.

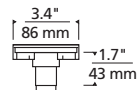
SINGLE-CIRCUIT T~TRAK



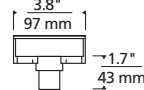
TWO-CIRCUIT T~TRAK



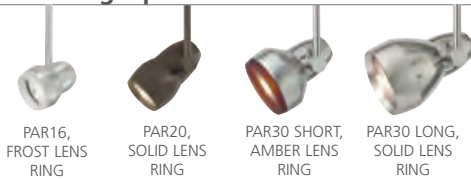
SINGLE-CIRCUIT STRAIGHTLINE



TWO-CIRCUIT STRAIGHTLINE



Lens Ring Options



700 SYSTEM	OM	TYPE	LENGTH (A)	LENS RING	PJ, TT + TT2 FINISH
PJ	POWER JACK	16	PAR16	03 3"	A AMBER Z ANTIQUE BRONZE
TT	SINGLE-CIRCUIT T~TRAK	20	PAR20	06 6"	B COBALT (PAR16 & PAR20 ONLY)
	T~TRAK	30L	PAR30 LONG	12 12"	F FROST S SATIN NICKEL
TT2	TWO-CIRCUIT T~TRAK	30S	PAR30 SHORT	18 18"	S SOLID W WHITE
SL	SINGLE-CIRCUIT STRAIGHTLINE				SL + SL2 CONN/FINISH
SL2	TWO-CIRCUIT STRAIGHTLINE				BS BLACK/SATIN NICKEL WS WHITE/SATIN NICKEL WW WHITE/WHITE

T~trak™: Single-Circuit T~trak Satin Nickel / 4" Round Power Feed Canopies without Connector / 2" Rigid Standoffs with Connector / 2" Rigid Standoffs without Connector / Om with Incandescent PAR Heads / PAR20 Lamps



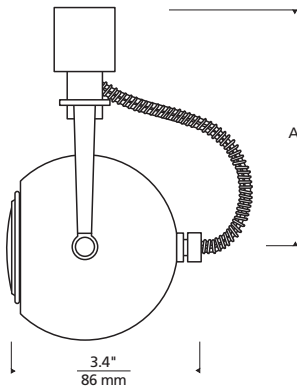
PHOTOGRAPHER: HOTSHOTS IMAGING - CHICAGO, IL

LOCATION: RESIDENCE - CHICAGO, IL



POD with Incandescent PAR

Glass orb rotates 360°, lamp pivots 260° to direct the beam.
Can hold up to two lenses or louvers. Dimmable with standard incandescent dimmer.



SYSTEM

Available for Power Jack, Single-Circuit T~trak, Two-Circuit T~trak, Single-Circuit StraightLine and Two-Circuit StraightLine.

COLOR

Available in amber, amethyst and clear.

FINISH

Single-Circuit T~trak, Two-Circuit T~trak and Power Jack:

Antique Bronze: antique bronze connector with antique bronze head.

Satin Nickel: satin nickel connector with satin nickel head.

White: white connector with white head.

Single-Circuit StraightLine and Two-Circuit StraightLine:

Black/Satin Nickel: black connector with satin nickel head.

White/Satin Nickel: white connector with satin nickel head.

White/White: white connector with white head.

LAMP

120 volt incandescent PAR16 lamp with GU10 base up to 50 watts (lamp not included). See pp. 99-106 for photometrics and lamp information.

System Connectors

Heads ordered with a system prefix include a connector for that system.

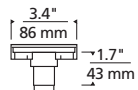
SINGLE-CIRCUIT
T~TRAK



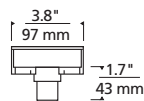
TWO-CIRCUIT
T~TRAK



SINGLE-CIRCUIT
STRAIGHTLINE



TWO-CIRCUIT
STRAIGHTLINE



700	SYSTEM	POD	TYPE	LENGTH (A)	COLOR	PJ, TT + TT2 FINISH
	PJ	POWERJACK	16 PAR16	03 4.2"	A AMBER	Z ANTIQUE BRONZE
	TT	SINGLE-CIRCUIT T~TRAK		06 6"	M AMETHYST	S SATIN NICKEL
	TT2	TWO-CIRCUIT T~TRAK		12 12"	C CLEAR	W WHITE
				18 18"		SL + SL2 CONN/FINISH
	SL	SINGLE-CIRCUIT STRAIGHTLINE				BS BLACK/SATIN NICKEL
	SL2	TWO-CIRCUIT STRAIGHTLINE				WS WHITE/SATIN NICKEL
						WW WHITE/WHITE

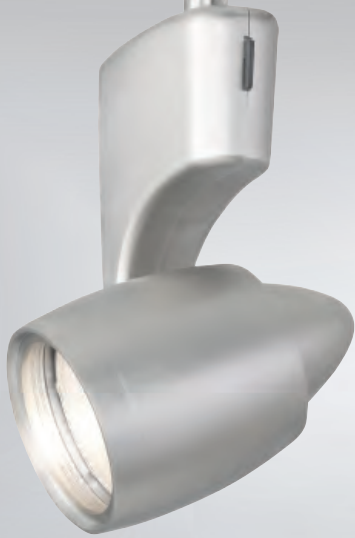
Color Options



AMBER

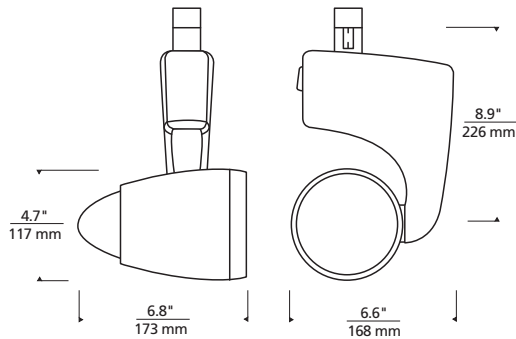
AMETHYST

CLEAR



SOMA with Ceramic Metal Halide PAR

Stylized die cast aluminum head pivots vertically 90°, rotates horizontally 350°. Includes integrated power switch.



SYSTEM

Available for Single-Circuit T~trak and Two-Circuit T~trak.

FINISH

Satin Nickel: satin nickel connector with satin nickel head.
White: white connector with white head.

BALLAST

Includes integrated energy-saving electronic ballast. Input voltage 120v 50/60 hertz, THD<10%.

LAMP

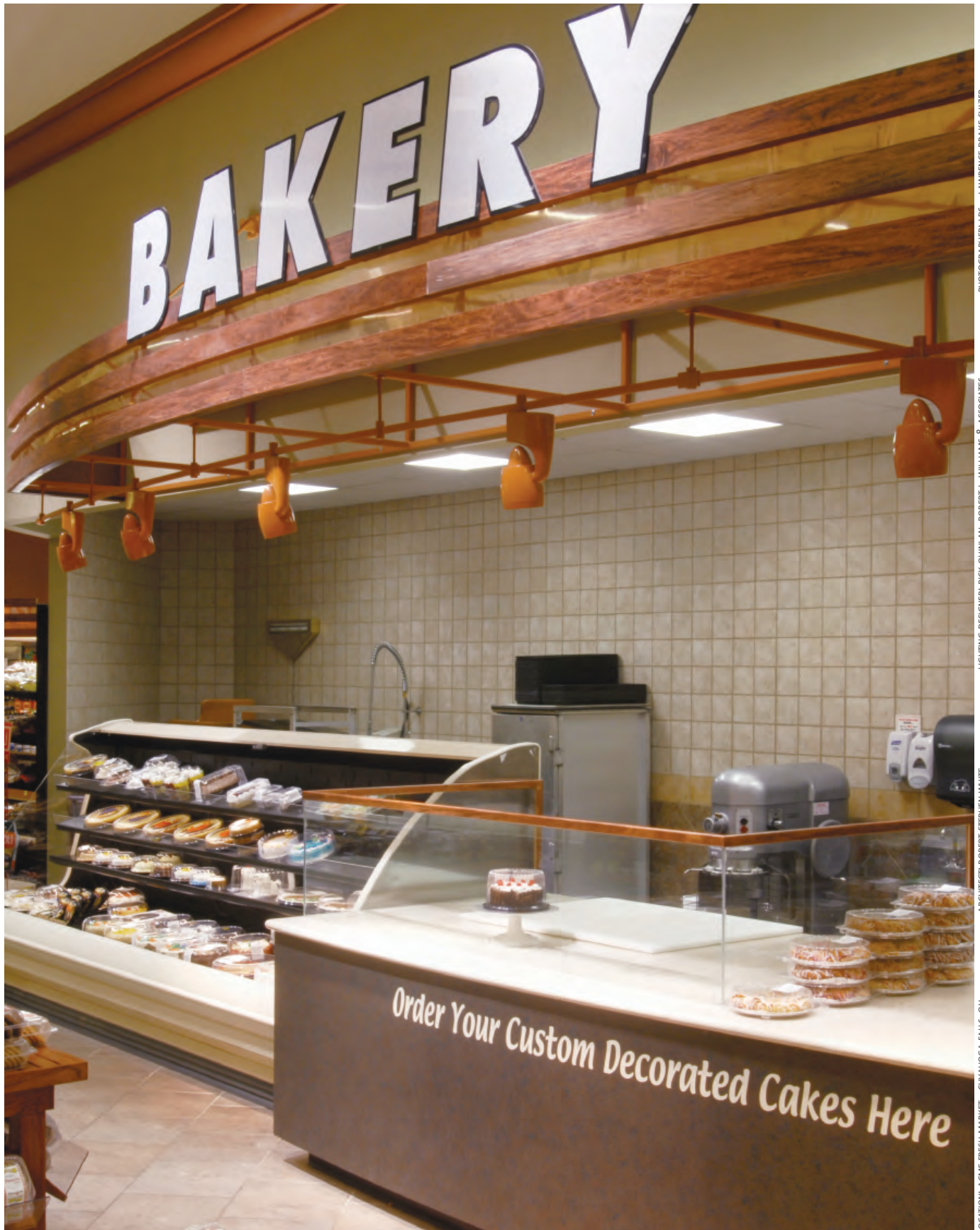
120 volt ceramic metal halide long lamp with PAR30 E26 medium base up to 70 watts (lamp not included). See pp. 99-106 for photometrics and lamp information.

OPTICAL CONTROLS

Holds up to two (PAR30 size), sold separately: Eggcrate Louver, Glass Lens, UV Filter. See p. 77 for complete listing.

700	SYSTEM	SOMC	TYPE	WATTAGE	FINISH
TT	SINGLE-CIRCUIT T~TRAK	30L	PAR30 LONG	3 39 WATT 7 70 WATT	S SATIN NICKEL W WHITE
TT2	TWO-CIRCUIT T~TRAK				

T~trak™: Custom Single-Circuit T~trak / 4" Round Power Feed Canopy without Connector / 6" Rigid Standoff with Connector / 6" Rigid Standoffs without Connector / Soma with Ceramic Metal Halide PAR Heads / PAR30 Long Lamps



PHOTOGRAPHER: LDS ~ LAWRENCE DRAKE SULZER

LIGHTING DESIGNER: RICK QUINLAN, ROBERT L. WILLIAMS & ASSOCIATES

ARCHITECT: ROBERT STEPHEN WHITE

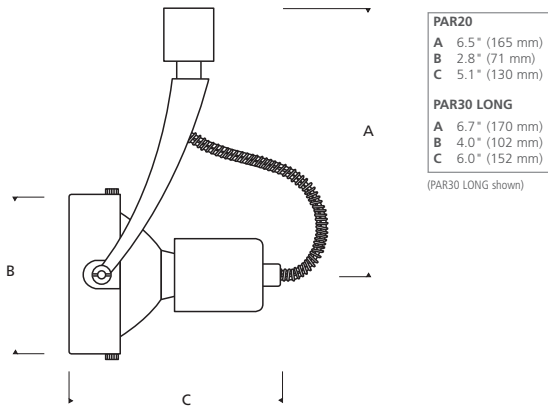
LOCATION: ACME FRESH MARKET - CUYAHOGA FALLS, OH



SPORTSTER WITH CERAMIC METAL HALIDE PAR30 LONG,
SPORTSTER LOUVER LENS HOLDER
AND EGGRATE LOUVER

SPORTSTER with Ceramic Metal Halide PAR

Minimal, stylish head, pivots vertically 180°, rotates horizontally 350°. Features vertical and horizontal locking mechanisms.



SYSTEM

Available for Power Jack, Single-Circuit T~trak, Two-Circuit T~trak, Single-Circuit StraightLine and Two-Circuit StraightLine.

FINISH

Single-Circuit T~trak, Two-Circuit T~trak and Power Jack:
Satin Nickel: satin nickel connector with satin nickel head.
White: white connector with white head.

Single-Circuit StraightLine and Two-Circuit StraightLine:
Black/Satin Nickel: black connector with satin nickel head.
White/Satin Nickel: white connector with satin nickel head.
White/White: white connector with white head.

BALLAST

Includes energy-saving electronic ballast in slim aluminum die-cast housing. Input voltage 120v 50/60 hertz, THD <10%. Power Jack version is compatible with Power Jack Canopy with Ballast (sold separately).

LAMP

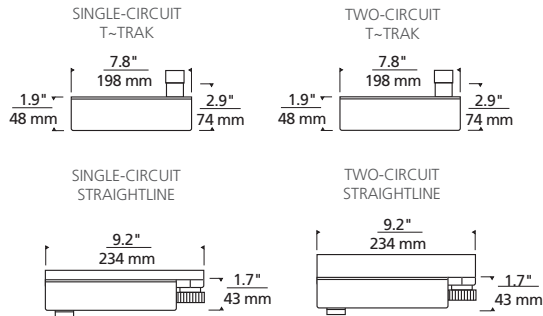
120 volt ceramic metal halide lamp with PAR20 E26 medium base up to 39 watts; PAR30 Long lamp with E26 medium base up to 70 watts (lamp not included). See pp. 99-106 for photometrics and lamp information.

OPTICAL CONTROLS

May be accessorized with Sportster Louver Lens Holder (sold separately below).

System Connectors

Heads ordered with a system prefix include a connector for that system.



Lamping Options



Sportster Louver Lens Holder (ORDER SEPARATELY)

Secures to front of Sportster head and holds up to two lenses or louvers (p. 77).

700SLLH	TYPE	FINISH
20	PAR20	S SATIN NICKEL
30	PAR30 LONG	W WHITE



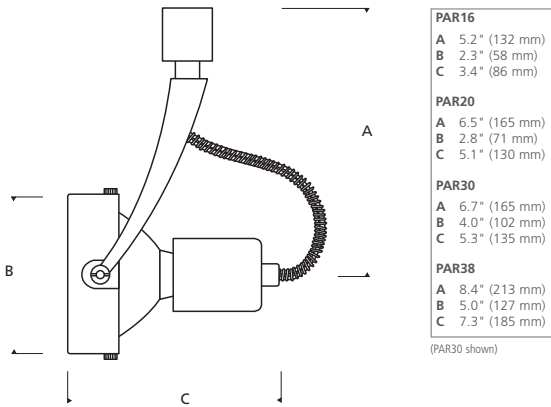
700	SYSTEM	SSC	TYPE	WATTAGE	LENGTH (A)	PJ, TT + TT2 FINISH
PJ	POWER JACK	20	PAR20	3 39 WATT	08 SEE CHART	S SATIN NICKEL
TT	SINGLE-CIRCUIT T~TRAK	30L	PAR30 LONG	7 70 WATT (PAR 30 ONLY)	12 11.1" 18 17.1"	W WHITE
TT2	TWO-CIRCUIT T~TRAK					SL + SL2 CONN/FINISH
SL	SINGLE-CIRCUIT STRAIGHTLINE					B5 BLACK/SATIN NICKEL
SL2	TWO-CIRCUIT STRAIGHTLINE					WS WHITE/SATIN NICKEL
						WW WHITE/WHITE



SPORTSTER WITH INCANDESCENT PAR16

SPORTSTER with Incandescent PAR

Versatile die cast aluminum head, pivots vertically 180°, rotates horizontally 350°. Features vertical and horizontal locking mechanisms and optional glass lens ring. Dimmable with standard incandescent dimmer.



SYSTEM

Available for Power Jack, Single-Circuit T~trak, Two-Circuit T~trak, Single-Circuit StraightLine and Two-Circuit StraightLine.

FINISH

Single-Circuit T~trak, Two-Circuit T~trak and Power Jack:

Antique Bronze: antique bronze connector with antique bronze head.

Satin Nickel: satin nickel connector with satin nickel head.

White: white connector with white head.

Single-Circuit StraightLine and Two-Circuit StraightLine:

Black/Satin Nickel: black connector with satin nickel head.

White/Satin Nickel: white connector with satin nickel head.

White/White: white connector with white head.

LAMP

120 volt incandescent PAR16 lamp with GU10 base up to 50 watts; PAR20 lamp with E26 medium base up to 50 watts; PAR30 lamp with E26 medium base up to 75 watts; PAR38 lamp with E26 medium base up to 120 watts (lamp not included). See pp. 99-106 for photometrics and lamp information.

OPTICAL CONTROLS

May be accessorized with Sportster Louver Lens Holder (sold separately below).

System Connectors

Heads ordered with a system prefix include a connector for that system.

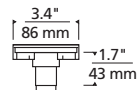
SINGLE-CIRCUIT
T~TRAK



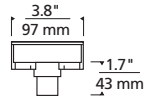
TWO-CIRCUIT
T~TRAK



SINGLE-CIRCUIT
STRAIGHTLINE



TWO-CIRCUIT
STRAIGHTLINE



700 SYSTEM	SS	TYPE	LENGTH (A)	PJ, TT + TT2 FINISH
PJ	POWER JACK	16 PAR16	08 SEE CHART	Z ANTIQUE BRONZE (PAR16 & PAR20 ONLY)
TT	SINGLE-CIRCUIT T~TRAK	20 PAR20	12 11.1"	S SATIN NICKEL
		30 PAR30	18 17.1"	W WHITE
TT2	TWO-CIRCUIT T~TRAK	38 PAR38		
SL	SINGLE-CIRCUIT STRAIGHTLINE			SL + SL2 CONN/FINISH
SL2	TWO-CIRCUIT STRAIGHTLINE			B5 BLACK/SATIN NICKEL
				WS WHITE/SATIN NICKEL
				WW WHITE/WHITE

Lamping Options



Sportster Louver Lens Holder (ORDER SEPARATELY)

Secures to front of Sportster head and holds up to two lenses or louvers (p. 77).

700SSLLH

TYPE	FINISH
16 PAR16	Z ANTIQUE BRONZE
20 PAR20	(PAR16 & PAR20 ONLY)
30 PAR30	S SATIN NICKEL
38 PAR38	W WHITE



T~trak™: Single-Circuit T~trak Satin Nickel / 4" Round Power Feed Canopy without Connector / 2" Rigid Standoffs with Connector/ 2" Rigid Standoffs without Connector / Sportster with Incandescent PAR Heads / Sportster Louver Lens Holder / PAR30 Lamps



PHOTOGRAPHER: ©MARK BALLOGG, STEINKAMP/BALLOGG PHOTOGRAPHY - CHICAGO, IL

DESIGN: WARREN ARCHITECTS, LTD

LOCATION: FLISE RESTAURANT - CHICAGO, IL

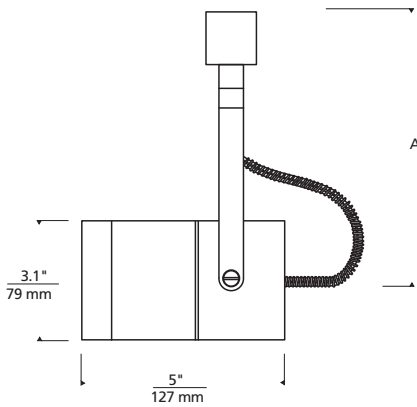
T~trak™: Two-Circuit T~trak Satin Nickel / 4" Round Power Feed Canopy without Connector / 6" Rigid Standoff with Connector / 6" Rigid Standoffs without Connector / Sportster with Incandescent PAR Heads / PAR20 Lamps





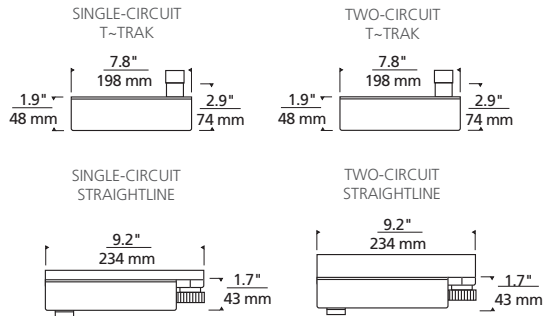
SPOT with Ceramic Metal Halide PAR

Classic die cast aluminum head, pivots vertically 180°, rotates horizontally 350°. Features vertical and horizontal locking mechanisms.



System Connectors

Heads ordered with a system prefix include a connector for that system.



SYSTEM

Available for Power Jack, Single-Circuit T~trak, Two-Circuit T~trak, Single-Circuit StraightLine and Two-Circuit StraightLine.

FINISH

Single-Circuit T~trak, Two-Circuit T~trak and Power Jack:
Satin Nickel: satin nickel connector with satin nickel head.
White: white connector with white head.

Single-Circuit StraightLine and Two-Circuit StraightLine:
Black/Satin Nickel: black connector with satin nickel head.
White/Satin Nickel: white connector with satin nickel head.
White/White: white connector with white head.

BALLAST

Includes energy-saving electronic ballast in slim aluminum die-cast housing. Input voltage 120v 50/60 hertz, THD <10%. Power Jack version is compatible with Power Jack Canopy with Ballast (sold separately).

LAMP

120 volt ceramic metal halide PAR20 lamp with E26 medium base up to 39 watts (lamp not included). See pp. 99-106 for photometrics and lamp information.

OPTICAL CONTROLS

Holds up to two, sold separately: Eggcrate Louver, Glass Lens, UV Filter. See p. 77 for complete listing.

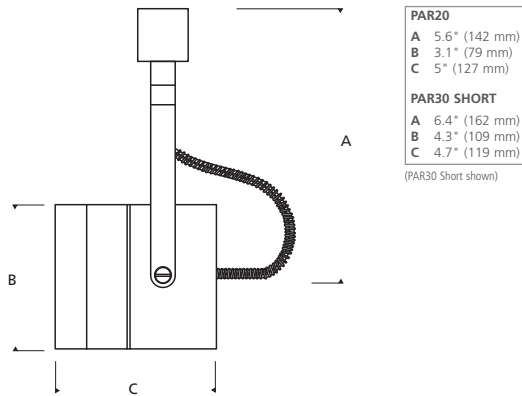
700	SYSTEM	SPTC	TYPE	WATTAGE	LENGTH (A)	PJ, TT + TT2 FINISH		
	PJ	POWER JACK	20	PAR20	3	39 WATT	08 5.6"	5 SATIN NICKEL
	TT	SINGLE-CIRCUIT T~TRAK			12	11.1"	18 17.1"	W WHITE
	TT2	TWO-CIRCUIT T~TRAK						SL + SL2 CONN/FINISH
	SL	SINGLE-CIRCUIT STRAIGHTLINE						B5 BLACK/SATIN NICKEL WS WHITE/SATIN NICKEL WW WHITE/WHITE
	SL2	TWO-CIRCUIT STRAIGHTLINE						



SPOT WITH INCANDESCENT PAR30 SHORT

SPOT with Incandescent PAR

Classic die cast aluminum head, pivots vertically 180°, rotates horizontally 350°. Features vertical and horizontal locking mechanisms. Dimmable with standard incandescent dimmer.



SYSTEM

Available for Power Jack, Single-Circuit T~trak, Two-Circuit T~trak, Single-Circuit StraightLine and Two-Circuit StraightLine.

FINISH

Single-Circuit T~trak, Two-Circuit T~trak and Power Jack:

Antique Bronze: antique bronze connector with antique bronze head.
Satin Nickel: satin nickel connector with satin nickel head.
White: white connector with white head.

Single-Circuit StraightLine and Two-Circuit StraightLine:

Black/Satin Nickel: black connector with satin nickel head.
White/Satin Nickel: white connector with satin nickel head.
White/White: white connector with white head.

LAMP

120 volt incandescent PAR20 lamp with E26 medium base up to 50 watts; PAR30 Short lamp with E26 medium base up to 75 watts (lamp not included). See pp. 99-106 for photometrics and lamp information.

OPTICAL CONTROLS

Holds up to two, sold separately: Eggcrate Louver, Glass Lens, UV Filter.
See p. 77 for complete listing.

System Connectors

Heads ordered with a system prefix include a connector for that system.

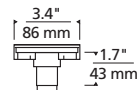
SINGLE-CIRCUIT T~TRAK



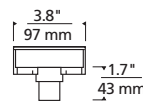
TWO-CIRCUIT T~TRAK



SINGLE-CIRCUIT STRAIGHTLINE



TWO-CIRCUIT STRAIGHTLINE



700 SYSTEM	SPT	TYPE	LENGTH (A)	PJ, TT + TT2 FINISH
PJ	POWER JACK	20 PAR20	08 SEE CHART	Z ANTIQUE BRONZE
TT	SINGLE-CIRCUIT T~TRAK	30S PAR30 SHORT	12 11.1"	(PAR20 ONLY)
			18 17.1"	S SATIN NICKEL
TT2	TWO-CIRCUIT T~TRAK			W WHITE
SL	SINGLE-CIRCUIT STRAIGHTLINE			SL + SL2 CONN/FINISH
SL2	TWO-CIRCUIT STRAIGHTLINE			B5 BLACK/SATIN NICKEL
				WS WHITE/SATIN NICKEL
				WW WHITE/WHITE

Lamping Options



PAR20



PAR30 SHORT

T~trak™: Custom Single-Circuit T~trak Satin Nickel / Spot with Incandescent PAR Heads / PAR20 Lamps



PHOTOGRAPHER: CESAR RUBIO

DESIGNER: LUNDBERG DESIGN

LOCATION: SLANTED DOOR - SAN FRANCISCO, CA

T~trak™: Custom Single-Circuit T~trak Satin Nickel Chandelier / 4" Round Power Feed Canopy without Connector / 24" Rigid Standoff with Connector / 24" Rigid Standoffs without Connector / Spot with Incandescent PAR Heads / PAR30 Short Lamps



PHOTOGRAPHER: TERRY WIECKERT

DESIGNER: BOB GWINDEN, K.R. MONTGOMERY ARCHITECTS

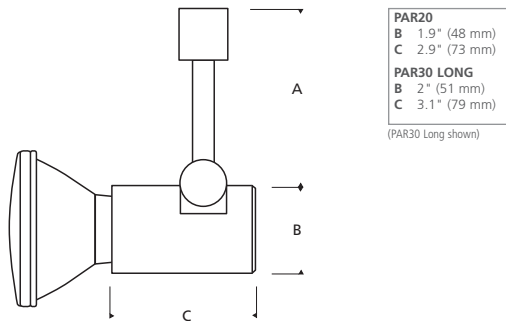
LOCATION: FISHERS LIBRARY - FISHERS, IN



TWEAK WITH CERAMIC METAL HALIDE PAR30 LONG

TWEAK with Ceramic Metal Halide PAR

Minimal head pivots vertically 180°, rotates horizontally 350°. Features horizontal locking mechanisms.



SYSTEM

Available for Power Jack, Single-Circuit T~trak, Two-Circuit T~trak, Single-Circuit StraightLine and Two-Circuit StraightLine.

FINISH

Single-Circuit T~trak, Two-Circuit T~trak and Power Jack:
Satin Nickel: satin nickel connector with satin nickel head.
White: white connector with white head.

Single-Circuit StraightLine and Two-Circuit StraightLine:
Black/Satin Nickel: black connector with satin nickel head.
White/Satin Nickel: white connector with satin nickel head.
White/White: white connector with white head.

BALLAST

Includes energy-saving electronic ballast in slim aluminum die-cast housing. Power Jack version is compatible with Power Jack Canopy with Ballast (sold separately).

LAMP

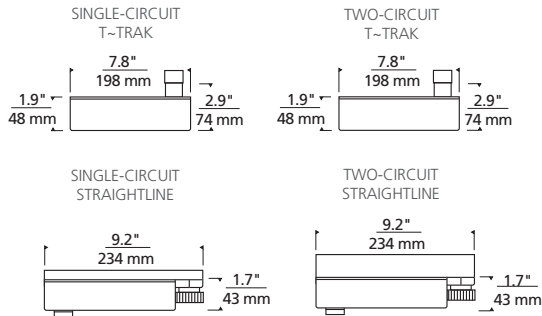
120 volt ceramic metal halide PAR20 lamp with E26 medium base up to 39 watts; PAR30 long lamp with E26 medium base up to 70 watts (lamp not included). See pp. 99-106 for photometrics and lamp information.

OPTICAL CONTROLS

May be accessorized with PAR Louver Lens Holder (sold separately below).

System Connectors

Heads ordered with a system prefix include a connector for that system.



Lamping Options



PAR Louver Lens Holder (ORDER SEPARATELY)

Secures to front of Tweak head and holds up to two lenses or louvers (p. 77).

700PARLL	TYPE	FINISH
20	PAR20	S SATIN NICKEL
30	PAR30 LONG	W WHITE



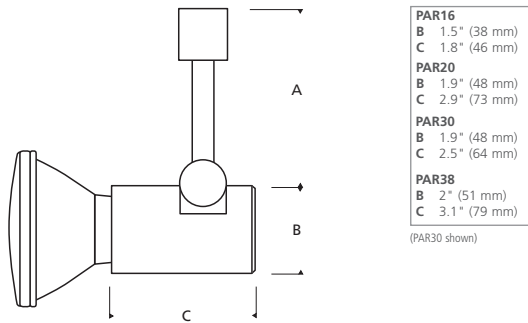
700	SYSTEM	TWSC	TYPE	WATTAGE	LENGTH (A)	PJ, TT + TT2 FINISH
PJ	POWER JACK	20	PAR20	3 39 WATT	03 2.5"	S SATIN NICKEL
TT	SINGLE-CIRCUIT T~TRAK	30L	PAR30 LONG	7 70 WATT (PAR30 ONLY)	06 6"	W WHITE
TT2	TWO-CIRCUIT T~TRAK				12 12"	SL + SL2 CONN/FINISH
SL	SINGLE-CIRCUIT STRAIGHTLINE				18 18"	BS BLACK/SATIN NICKEL
SL2	TWO-CIRCUIT STRAIGHTLINE					WS WHITE/SATIN NICKEL
						WW WHITE/WHITE



TWEAK WITH INCANDESCENT PAR16

TWEAK with Incandescent PAR

Minimal head pivots vertically 180°, rotates horizontally 350°. Features horizontal locking mechanism. Dimmable with a standard incandescent dimmer.



SYSTEM

Available for Power Jack, Single-Circuit T~trak, Two-Circuit T~trak, Single-Circuit StraightLine and Two-Circuit StraightLine.

FINISH

Single-Circuit T~trak, Two-Circuit T~trak and Power Jack:
Antique Bronze: antique bronze connector with antique bronze head.
Satin Nickel: satin nickel connector with satin nickel head.
White: white connector with white head.

Single-Circuit StraightLine and Two-Circuit StraightLine:
Black/Satin Nickel: black connector with satin nickel head.
White/Satin Nickel: white connector with satin nickel head.
White/White: white connector with white head.

LAMP

120 volt incandescent PAR16 lamp with GU10 base up to 50 watts; PAR20 lamp with E26 medium base up to 50 watts; PAR30 lamp with E26 medium base up to 75 watts; PAR38 lamp with E26 medium base up to 120 watts (lamp not included). See pp. 99-106 for photometrics and lamp information.

OPTICAL CONTROLS

May be accessorized with PAR Louver Lens Holder (sold separately below).

System Connectors

Heads ordered with a system prefix include a connector for that system.

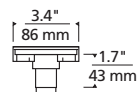
SINGLE-CIRCUIT
T~TRAK



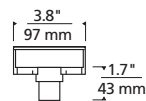
TWO-CIRCUIT
T~TRAK



SINGLE-CIRCUIT
STRAIGHTLINE



TWO-CIRCUIT
STRAIGHTLINE



Lamping Options



PAR16

PAR20

PAR30

PAR38

PAR Louver Lens Holder (ORDER SEPARATELY)

Secures to front of Tweak head and holds up to two lenses or louvers (p. 77).

700PARLL

TYPE	FINISH
16 PAR16	Z ANTIQUE BRONZE
20 PAR20	(PAR16 & PAR20 ONLY)
30 PAR30	S SATIN NICKEL
38 PAR38	W WHITE



PAR16

PAR20, PAR30, PAR38

700	SYSTEM	TWS	TYPE	LENGTH (A)	PJ, TT + TT2 FINISH
PJ	POWER JACK	16	PAR16	03 2.5"	Z ANTIQUE BRONZE
TT	SINGLE-CIRCUIT T~TRAK	20	PAR20	06 6"	(PAR16 & PAR20 ONLY)
TT2	TWO-CIRCUIT T~TRAK	30	PAR30	12 12"	S SATIN NICKEL
		38	PAR38	18 18"	W WHITE
SL	SINGLE-CIRCUIT STRAIGHTLINE				SL + SL2 CONN/FINISH
SL2	TWO-CIRCUIT STRAIGHTLINE				B5 BLACK/SATIN NICKEL
					WS WHITE/SATIN NICKEL
					WW WHITE/WHITE

T~trak™: Two-Circuit T~trak Satin Nickel / 4" Round Power Feed Canopy without Connector / 6" Rigid Standoff with Connector / 6" Rigid Standoffs without Connector / Tweak with Incandescent PAR Heads / PAR20 Lamps





COLORED & DICHOIC LENSES

Colored lenses wash the light with color; dichroic lenses filter for a pure effect.



140	TYPE	SIZE	COLOR
FIL	COLORED LENS	-	MR16/PAR16
		20	PAR20
		30	PAR30
		38	PAR38
DIC	DICHOIC LENS		
			BLU BLUE
			GRN GREEN
			RED RED
			YEL YELLOW

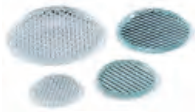


EGGCRATE LOUVER

Honeycomb louver cuts glare from lamp.



700	TYPE	SIZE
A02-BK		MR16/PAR16
A03-20		PAR20
A03-30		PAR30
A03-36		PAR36
A03-38		PAR38



DIFFUSER, SPREAD & SOFT FOCUS LENSES

Diffuser lenses diffuse the beam; linear spread lenses elongate it; soft focus lenses reduce lamp glare.



140	SIZE	TYPE
MR16	MR16/PAR16	DF DIFFUSER
P20	PAR20	LL LINEAR
P30	PAR30	SPREAD
P38	PAR38	SF SOFT FOCUS



UV FILTERS

UV filter efficiently blocks UV radiation while transmitting high quality visible light.



140UV	SIZE
MR16	MR16/PAR16
PAR20	PAR20
PAR30	PAR30
PAR36	PAR36
PAR38	PAR38

Dimensions for Lenses, Louvers and Filters

	A	B
PAR16	2.0" (50 mm)	.1" (3 mm)
PAR20	2.5" (64 mm)	.1" (3 mm)
PAR30	3.8" (97 mm)	.1" (3 mm)
PAR36	4.0" (100 mm)	.1" (3 mm)
PAR38	4.8" (122 mm)	.1" (3 mm)



ARCHITECTURAL PENDANTS *PAGES 78-97*

Delancey	84	Mulberry.....	85	Soda	94
Echo	92	Nest.....	94	Spirit	88
Edge.....	92	Niko Large.....	91	Starry Night.....	90
Emerge	89	Noir	96	Suspense	93
Hudson	93	Ovation.....	86	Taza.....	90
Lexington	85	Palma	88		
Madison.....	84	Powell Street.....	96		
Melrose.....	87	Scavo Large	97		
Montana.....	89	Serengeti	97		

T~trak™: Single-Circuit T~trak White / 4" Round Power Feed Canopy without Connector / 2" Rigid Standoff with Connector / 2" Rigid Standoffs without Connector / Om with Incandescent PAR Heads / Montana Pendants White / PAR30 Lamps / Medium Base Lamps



T~trak™: Single-Circuit T~trak Satin Nickel / 4" Round Power Feed Canopy without Connector / 48" Rigid Standoff without Connector / Sportster with Incandescent PAR Heads / T~trak FreeJack Connectors / Fab Pendants / PAR GU10 Lamps / Bi-pin Lamps



PHOTOGRAPHER: HOTSHOTS IMAGING - CHICAGO, IL

LOCATION: KAVA DAY SPA - CHICAGO, IL

T~trak™: Single-Circuit T~trak Satin Nickel / Flexible Power Feed with 4" Round Canopy / Adjustable Standoffs with Connector / Adjustable Standoffs without Connector / Spot with Incandescent PAR Heads / T~trak FreeJack Connectors / Cone Pendants White / PAR30 Short Lamps / Bi-pin Lamps



DESIGNER: XAVIER YAGER

LOCATION: SOUTACHE - CHICAGO, IL

T~trak™: Single-Circuit T~trak Satin Nickel / 4" Round Power Feed Canopy without Connector / 2" Rigid Standoffs without Connector /
Emerge Pendants Tahoe Pine Amber / Medium Base Lamps



PHOTOGRAPHER: JON P. JANZEN

LIGHTING DESIGN: MARTY PECK, CREATIVE LIGHTING DESIGN & ENGINEERING

LOCATION: FLANNER'S HOME ENTERTAINMENT - BROOKFIELD, WI

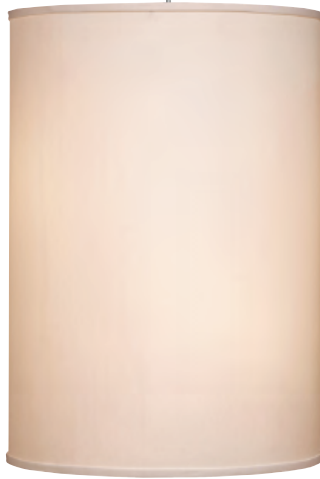
T~trak™: Single-Circuit T~trak Satin Nickel / 4" Round Power Feed Canopy without Connector / 2" Rigid Standoffs with Connector / 2" Rigid Standoffs without Connector / Sportster with Incandescent PAR Heads / Sportster Louver Lens Holder / Cube Pendants / PAR30 Lamps / Bi-pin Lamps



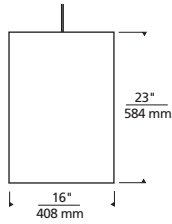
PHOTOGRAPHER: ©MARK BALLOGG; STEINKAMP/BALLOGG PHOTOGRAPHY - CHICAGO, IL

DESIGN: WARREN ARCHITECTS, LTD.

LOCATION: FUSE RESTAURANT - CHICAGO, IL



DESERT CLAY



DELANCEY

Large cylindrical shaped fabric shade with glass diffuser. Available in two lamp configurations: incandescent and fluorescent. Incandescent version includes four 100 watt A19 medium base lamps. Fluorescent version includes electronic ballasts hidden inside the shade and can be lamped with either four 26 watt or 32 watt GX24Q-3 base triple tube lamps (sold separately). Fixture is provided with six feet of field-cutttable cable.

700	SYSTEM	DELP	COLOR	TT + TT2 FINISH	LAMP	
TT	SINGLE-CIRCUIT T-TRAK	N	CHOCOLATE BROWN	Z	ANTIQUE BRONZE	INCANDESCENT
		C	DESERT CLAY	S	SATIN NICKEL	-CF COMPACT FLUORESCENT
TT2	TWO-CIRCUIT T-TRAK	R	RED	W	WHITE	
		W	WHITE			
SL	SINGLE-CIRCUIT STRAIGHTLINE			SL + SL2 CONN/FINISH		
				BS	BLACK/SATIN NICKEL	
SL2	TWO-CIRCUIT STRAIGHTLINE			WS	WHITE/SATIN NICKEL	



CHOCOLATE BROWN



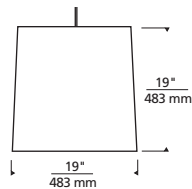
RED



WHITE



CHOCOLATE BROWN



MADISON

Large square tapered shaped fabric shade with glass diffuser. Available in two lamp configurations: incandescent and fluorescent. Incandescent version includes four 100 watt A19 medium base lamps. Fluorescent version includes electronic ballasts hidden inside the shade and can be lamped with either four 26 watt or 32 watt GX24Q-3 base triple tube lamps (sold separately). Fixture is provided with six feet of field-cutttable cable.

700	SYSTEM	MADP	COLOR	TT + TT2 FINISH	LAMP	
TT	SINGLE-CIRCUIT T-TRAK	B	BLACK	Z	ANTIQUE BRONZE	INCANDESCENT
		N	CHOCOLATE BROWN	S	SATIN NICKEL	-CF COMPACT FLUORESCENT
TT2	TWO-CIRCUIT T-TRAK	C	DESERT CLAY	W	WHITE	
		R	RED			
SL	SINGLE-CIRCUIT STRAIGHTLINE	W	WHITE	SL + SL2 CONN/FINISH		
				BS	BLACK/SATIN NICKEL	
SL2	TWO-CIRCUIT STRAIGHTLINE			WS	WHITE/SATIN NICKEL	



BLACK



DESERT CLAY



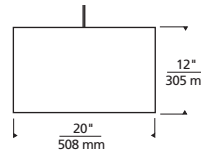
RED



WHITE

LEXINGTON

Large drum shaped fabric shade with glass diffuser. Available in two lamp configurations: incandescent and fluorescent. Incandescent version includes four 100 watt A19 medium base lamps. Fluorescent version includes electronic ballasts hidden inside the shade and can be lamped with either four 26 watt or 32 watt GX24Q-3 base triple tube lamps (sold separately). Fixture is provided with six feet of field-cutttable cable.



700	SYSTEM	LEXP	COLOR	TT + TT2 FINISH	LAMP	
TT	SINGLE-CIRCUIT T-TRAK	B	BLACK	Z	ANTIQUE BRONZE	INCANDESCENT
TT2	TWO-CIRCUIT T-TRAK	N	CHOCOLATE BROWN	S	SATIN NICKEL	-CF COMPACT FLUORESCENT
SL	SINGLE-CIRCUIT STRAIGHTLINE	C	DESERT CLAY	W	WHITE	
SL2	TWO-CIRCUIT STRAIGHTLINE	R	RED	SL + SL2	CONN/FINISH	
		W	WHITE	BS	BLACK/SATIN NICKEL	
				WS	WHITE/SATIN NICKEL	



CHOCOLATE BROWN



DESERT CLAY



RED



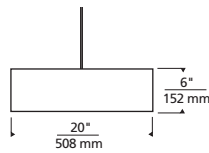
WHITE



BLACK

MULBERRY

Slim cylindrical fabric shade with glass diffuser. Available in two lamp configurations: incandescent and fluorescent. Incandescent version includes four 100 watt A19 medium base lamps. Fluorescent version includes electronic ballasts hidden inside the shade and can be lamped with four 18 watt GU24 base self-ballasted compact fluorescent lamps (sold separately). Fixture is provided with six feet of field-cutttable cable.



700	SYSTEM	MULP	COLOR	TT + TT2 FINISH	LAMP	
TT	SINGLE-CIRCUIT T-TRAK	N	CHOCOLATE BROWN	Z	ANTIQUE BRONZE	INCANDESCENT
TT2	TWO-CIRCUIT T-TRAK	C	DESERT CLAY	S	SATIN NICKEL	-CF COMPACT FLUORESCENT
SL	SINGLE-CIRCUIT STRAIGHTLINE	W	WHITE	W	WHITE	
SL2	TWO-CIRCUIT STRAIGHTLINE			SL + SL2	CONN/FINISH	
				BS	BLACK/SATIN NICKEL	
				WS	WHITE/SATIN NICKEL	



CHOCOLATE BROWN



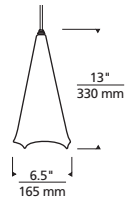
WHITE



DESERT CLAY



LARGE OVATION TORTOISE SHELL WITH AMBER GLASS BALL AND BLACK IRON WRAP ACCESSORY



OVATION

Hand pulled glass shade, richly layered in brilliant color, with satin nickel machined top or glass ball detail. Handmade wrought iron wrap accessory sold separately below. Available in two sizes: large and small. Large includes 120 volt, 75 watt medium base lamp or 18 watt GX24Q-2 base triple tube compact fluorescent lamp. Small includes 120 volt, 60 watt mini-candelabra base lamp. Fixture is provided with six feet of field-cutttable cable.

700	SYSTEM	OVP	COLOR	GLASS BALL	TT + TT2 FINISH	LAMP
TT	SINGLE-CIRCUIT T-TRAK	A	TAHOE PINE AMBER	NN	Z	INCANDESCENT
TT2	TWO-CIRCUIT T-TRAK	R	RED FRIT	AN	S	COMPACT FLUORESCENT (LARGE ONLY)
SL	SINGLE-CIRCUIT STRAIGHTLINE	T	TORTOISE SHELL	CN	W	
SL2	TWO-CIRCUIT STRAIGHTLINE	W	WHITE FRIT	RN		
					SL + SL2 CONN/FINISH	
					B5	BLACK/SATIN NICKEL
					WS	WHITE/SATIN NICKEL

OVATION IRON WRAP ACCESSORY

700FJMOV FINISH

- Z ANTIQUE BRONZE
- I BLACK IRON
- S SATIN NICKEL



LARGE OVATION TAHOE PINE AMBER WITH CLEAR GLASS BALL AND SATIN NICKEL IRON WRAP ACCESSORY



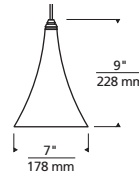
LARGE OVATION RED FRIT



LARGE OVATION WHITE FRIT

MELROSE

Gracefully shaped glass shade, richly layered in brilliant color, with satin nickel machined top detail. Available in two sizes: large and small. Large includes 120 volt, 60 watt mini-candelabra base lamp or 18 watt GX24Q-2 base triple tube compact fluorescent lamp. Small includes 120 volt, 40 watt G9 base lamp. Fixture is provided with six feet of field-cutable cable.



LARGE MELROSE
TAHOE PINE AMBER

700	SYSTEM	MLP	COLOR	TT + TT2 FINISH	LAMP
TT	SINGLE-CIRCUIT T-TRAK	B	BLUE-VIOLET	Z	INCANDESCENT
		R	FERRARI RED	S	-CF COMPACT
TT2	TWO-CIRCUIT T-TRAK	M	MULTICOLOR	W	FLUORESCENT
		A	TAHOE PINE		(LARGE ONLY)
SL	SINGLE-CIRCUIT STRAIGHTLINE	W	WHITE FRIT	SL + SL2 CONN/FINISH	
SL2	TWO-CIRCUIT STRAIGHTLINE			BS	BLACK/SATIN NICKEL
				WS	WHITE/SATIN NICKEL

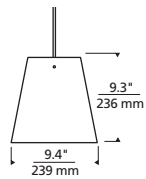


LARGE MELROSE
BLUE-VIOLET

LARGE MELROSE
FERRARI RED

LARGE MELROSE
MULTICOLOR

LARGE MELROSE
WHITE FRIT



PALMA

Classically shaped glass shade highlighted with three satin nickel details. Includes 120 volt, 150 watt medium base lamp. Fixture is provided with six feet of field-cutable cable.



TAHOE PINE AMBER



FROST WHITE

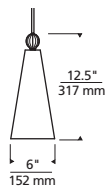


WHITE FRIT

700	SYSTEM	PLP	COLOR	TT + TT2 FINISH
TT	SINGLE-CIRCUIT T-TRAK	F	FROST WHITE	Z ANTIQUE BRONZE
TT2	TWO-CIRCUIT T-TRAK	A	TAHOE PINE AMBER	S SATIN NICKEL
SL	SINGLE-CIRCUIT STRAIGHTLINE	W	WHITE FRIT	W WHITE
SL2	TWO-CIRCUIT STRAIGHTLINE			SL + SL2 CONN/FINISH
				BS BLACK/SATIN NICKEL
				WS WHITE/SATIN NICKEL

SPIRIT

Conical shaped glass shade, richly layered in brilliant color, with glass ball detail. Includes 120 volt, 75 watt medium base lamp or 18 watt GX24Q-2 base triple tube compact fluorescent lamp. Fixture is provided with six feet of field-cutable cable.



FERRARI RED WITH RED GLASS BALL



BLUE-VIOLET WITH BLUE GLASS BALL



FROST WHITE WITH CLEAR GLASS BALL



LIME GREEN WITH CLEAR GLASS BALL



MULTICOLOR WITH BLUE GLASS BALL



TAHOE PINE AMBER WITH AMBER GLASS BALL

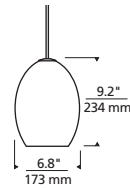


WHITE FRIT WITH BLUE GLASS BALL

700	SYSTEM	SPP	COLOR	GLASS BALL	TT + TT2 FINISH	LAMP
TT	SINGLE-CIRCUIT T-TRAK	B	BLUE-VIOLET	A AMBER	Z ANTIQUE BRONZE	INCANDESCENT
TT2	TWO-CIRCUIT T-TRAK	R	FERRARI RED	B BLUE	S SATIN NICKEL	-CF COMPACT FLUORESCENT
SL	SINGLE-CIRCUIT STRAIGHTLINE	F	FROST WHITE	C CLEAR	W WHITE	
SL2	TWO-CIRCUIT STRAIGHTLINE	G	LIME GREEN	R RED		
		M	MULTICOLOR		SL + SL2 CONN/FINISH	
		A	TAHOE PINE AMBER		BS BLACK/SATIN NICKEL	
		W	WHITE FRIT		WS WHITE/SATIN NICKEL	

MONTANA

Well-rounded and full in form glass shade, richly layered in brilliant color with satin nickel detail. Includes 120 volt, 75 watt medium base lamp or 18 watt GX24Q-2 base triple tube compact fluorescent lamp. Fixture is provided with six feet of field-cutable cable.



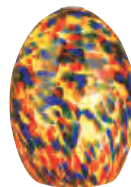
700	SYSTEM	MNTP	COLOR	TT + TT2 FINISH	LAMP
	TT	SINGLE-CIRCUIT T-TRAK	B BLUE-VIOLET	Z ANTIQUE BRONZE	INCANDESCENT
			R FERRARI RED	S SATIN NICKEL	-CF COMPACT FLUORESCENT
	TT2	TWO-CIRCUIT T-TRAK	M MULTICOLOR	W WHITE	
	SL	SINGLE-CIRCUIT STRAIGHTLINE	A TAHOE PINE AMBER	SL + SL2 CONN/FINISH	
	SL2	TWO-CIRCUIT STRAIGHTLINE	W WHITE FRIT	BS BLACK/SATIN NICKEL	
				WS WHITE/SATIN NICKEL	



BLUE-VIOLET



FERRARI RED



MULTICOLOR



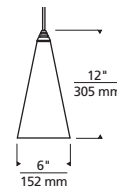
WHITE FRIT



TAHOE PINE AMBER

EMERGE

Conical shaped glass shade, richly layered in brilliant color, with satin nickel machined top detail. Includes 120 volt, 75 watt medium base lamp or 18 watt GX24Q-2 base triple tube compact fluorescent lamp. Fixture is provided with six feet of field-cutable cable.



700	SYSTEM	EMP	COLOR	TT + TT2 FINISH	LAMP
	TT	SINGLE-CIRCUIT T-TRAK	B BLUE-VIOLET	Z ANTIQUE BRONZE	INCANDESCENT
			R FERRARI RED	S SATIN NICKEL	-CF COMPACT FLUORESCENT
	TT2	TWO-CIRCUIT T-TRAK	F FROST WHITE	W WHITE	
	SL	SINGLE-CIRCUIT STRAIGHTLINE	G LIME GREEN	SL + SL2 CONN/FINISH	
	SL2	TWO-CIRCUIT STRAIGHTLINE	M MULTICOLOR	BS BLACK/SATIN NICKEL	
			A TAHOE PINE AMBER	WS WHITE/SATIN NICKEL	
			W WHITE FRIT		



BLUE-VIOLET



FERRARI RED



FROST WHITE



MULTICOLOR



TAHOE PINE AMBER



WHITE FRIT



LIME GREEN



STARRY NIGHT

Blown glass shade of richly layered color where selected areas are hand twisted. Includes 120 volt, 75 watt medium base lamp or 18 watt GX24Q-2 base triple tube compact fluorescent lamp. Fixture is provided with six feet of field-cutttable cable.

700	SYSTEM	STRLP	COLOR	TT + TT2 FINISH	LAMP
TT	SINGLE-CIRCUIT T-TRAK		A AMBER	Z ANTIQUE BRONZE	INCANDESCENT
			B BLUE	S SATIN NICKEL	-CF COMPACT FLUORESCENT
TT2	TWO-CIRCUIT T-TRAK		C CARMEL	W WHITE	
			W WHITE		
SL	SINGLE-CIRCUIT STRAIGHTLINE			SL + SL2 CONN/FINISH	
				B5 BLACK/SATIN NICKEL	
SL2	TWO-CIRCUIT STRAIGHTLINE			WS WHITE/SATIN NICKEL	



BLUE

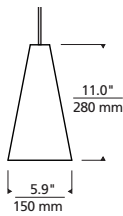


CARMEL



WHITE

AMBER



TAZA

Blown glass shade with intensely twisted rich glass color. Includes 120 volt, 75 watt medium base lamp or 18 watt GX24Q-2 base triple tube compact fluorescent lamp. Fixture is provided with six feet of field-cutttable cable.

700	SYSTEM	TAZP	COLOR	TT + TT2 FINISH	LAMP
TT	SINGLE-CIRCUIT T-TRAK		A AMBER	Z ANTIQUE BRONZE	INCANDESCENT
			B BLUE/GREEN	S SATIN NICKEL	-CF COMPACT FLUORESCENT
TT2	TWO-CIRCUIT T-TRAK		N BROWN	W WHITE	
			C CREAM		
SL	SINGLE-CIRCUIT STRAIGHTLINE		R RED	SL + SL2 CONN/FINISH	
			W WHITE	B5 BLACK/SATIN NICKEL	
SL2	TWO-CIRCUIT STRAIGHTLINE			WS WHITE/SATIN NICKEL	



BLUE/GREEN



BROWN



CREAM



RED

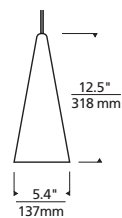


WHITE

AMBER

NIKO

Blown glass shade embedded with large murini and canes of glass color. Includes 120 volt, 75 watt medium base lamp or 18 watt GX24Q-2 base triple tube compact fluorescent lamp. Fixture is provided with six feet of field-cuttable cable.



700	SYSTEM	NKOLP	COLOR	TT + TT2 FINISH	LAMP	
TT	SINGLE-CIRCUIT T-TRAK	A	AMBER	Z	ANTIQUE BRONZE	INCANDESCENT
TT2	TWO-CIRCUIT T-TRAK	M	AMETHYST	S	SATIN NICKEL	-CF COMPACT FLUORESCENT
SL	SINGLE-CIRCUIT STRAIGHTLINE	F	FROST	W	WHITE	
SL2	TWO-CIRCUIT STRAIGHTLINE	G	GREEN	SL + SL2 CONN/FINISH		
				BS	BLACK/SATIN NICKEL	
				WS	WHITE/SATIN NICKEL	



AMBER



FROST



GREEN

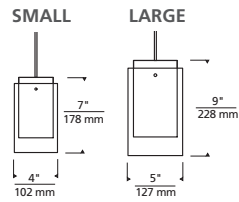


AMETHYST





AMBER



ECHO

Vivid glass shade over a white case glass cylinder, highlighted with three satin nickel details. Available in two sizes: large and small. Large includes 120 volt, 75 watt medium base lamp or 18 watt GX24Q-2 base triple tube compact fluorescent lamp. Small includes 120 volt, 60 watt mini-candelabra base lamp. Fixture is provided with six feet of field-cutable cable.

700	SYSTEM	ECP	SIZE	COLOR	TT + TT2 FINISH	LAMP
TT	SINGLE-CIRCUIT T-TRAK		LARGE	A AMBER	Z ANTIQUE BRONZE	INCANDESCENT
		S	SMALL	Q AQUAMARINE	S SATIN NICKEL	-CF COMPACT
TT2	TWO-CIRCUIT T-TRAK			C CLEAR	W WHITE	FLUORESCENT
				B HAVANA BROWN		(LARGE ONLY)
				S SMOKE		
SL	SINGLE-CIRCUIT STRAIGHTLINE				SL + SL2 CONN/FINISH	
SL2	TWO-CIRCUIT STRAIGHTLINE				B5 BLACK/SATIN NICKEL	
					WS WHITE/SATIN NICKEL	



AQUAMARINE



CLEAR



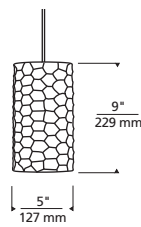
HAVANA BROWN



SMOKE



GRAY



EDGE

Hand etched glass shade provides a rich textured look. Includes 120 volt, 75 watt medium base lamp or 18 watt GX24Q-2 base triple tube compact fluorescent lamp. Fixture is provided with six feet of field-cutable cable.

700	SYSTEM	EDGP	COLOR	TT + TT2 FINISH	LAMP
TT	SINGLE-CIRCUIT T-TRAK		A AMBER	Z ANTIQUE BRONZE	INCANDESCENT
			B BROWN	S SATIN NICKEL	-CF COMPACT
TT2	TWO-CIRCUIT T-TRAK		C CRYSTAL	W WHITE	FLUORESCENT
			G GRAY		
SL	SINGLE-CIRCUIT STRAIGHTLINE			SL + SL2 CONN/FINISH	
SL2	TWO-CIRCUIT STRAIGHTLINE			B5 BLACK/SATIN NICKEL	
				WS WHITE/SATIN NICKEL	



AMBER



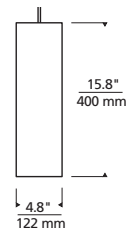
BROWN



CRYSTAL

HUDSON

Clean pure style with presence. A cylindrical glass shade topped with a simple metal cap detail. Choose from a selection of rich glass colors with a gloss finish. Black, satin nickel and white finish options come standard with a satin nickel cap; antique bronze finish with an antique bronze cap. Includes 120 volt, 75 watt medium base lamp or 18 watt GX24Q-2 base triple tube compact fluorescent lamp. Fixture is provided with six feet of field-cuttable cable.

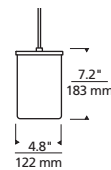


700	SYSTEM	HUDP	COLOR	TT + TT2 FINISH	LAMP	
TT	SINGLE-CIRCUIT T-TRAK	N	BROWN	Z	ANTIQUE BRONZE	INCANDESCENT
		L	LATTE	S	SATIN NICKEL	-CF COMPACT FLUORESCENT
TT2	TWO-CIRCUIT T-TRAK	R	RED	W	WHITE	
		W	WHITE			
SL	SINGLE-CIRCUIT STRAIGHTLINE			SL + SL2 CONN/FINISH		
				BS		BLACK/SATIN NICKEL
SL2	TWO-CIRCUIT STRAIGHTLINE			WS		WHITE/SATIN NICKEL



SUSPENSE

Cylinder shaped channel of glass filled with brilliant colored glass frit, with satin nickel machined top. Includes 120 volt, 75 watt medium base lamp or 18 watt GX24Q-2 base triple tube compact fluorescent lamp. Fixture is provided with six feet of field-cuttable cable.

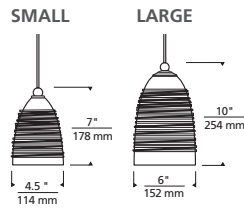


700	SYSTEM	SUSP	COLOR	TT + TT2 FINISH	LAMP	
TT	SINGLE-CIRCUIT T-TRAK	A	AMBER	S	SATIN NICKEL	INCANDESCENT
		C	CRYSTAL	W	WHITE	-CF COMPACT FLUORESCENT
TT2	TWO-CIRCUIT T-TRAK	L	LAVENDER			
		B	SEA BLUE			
SL	SINGLE-CIRCUIT STRAIGHTLINE			SL + SL2 CONN/FINISH		
				BS		BLACK/SATIN NICKEL
SL2	TWO-CIRCUIT STRAIGHTLINE			WS		WHITE/SATIN NICKEL





LARGE NEST
COBALT BLUE



NEST

Glass shade with clear glass wrap and satin nickel detail. Available in two sizes: large and small. Large includes 120 volt, 75 watt medium base lamp or 18 watt GX24Q-2 base triple tube compact fluorescent lamp. Small includes 120 volt, 60 watt mini-candelabra base lamp. Fixture is provided with six feet of field-cuttable cable.

700	SYSTEM	N	SIZE	COLOR	TT + TT2 FINISH	LAMP
TT	SINGLE-CIRCUIT T-TRAK	LP	LARGE	A AMBER B COBALT BLUE	Z ANTIQUE BRONZE S SATIN NICKEL	INCANDESCENT COMPACT FLUORESCENT (LARGE ONLY)
TT2	TWO-CIRCUIT T-TRAK	SP	SMALL	W FROST WHITE R RED	W WHITE	-CF COMPACT FLUORESCENT (LARGE ONLY)
SL	SINGLE-CIRCUIT STRAIGHTLINE				SL + SL2 CONN/FINISH	
SL2	TWO-CIRCUIT STRAIGHTLINE				BS BLACK/SATIN NICKEL WS WHITE/SATIN NICKEL	



LARGE NEST
AMBER



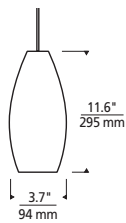
LARGE NEST
FROST WHITE



LARGE NEST
RED



AMBER



SODA

Sleek glass shade infused with bubbles. Includes 120 volt, 75 watt medium base lamp or 18 watt GX24Q-2 base triple tube compact fluorescent lamp. Fixture is provided with six feet of field-cuttable cable.

700	SYSTEM	SDALP	COLOR	TT + TT2 FINISH	LAMP
TT	SINGLE-CIRCUIT T-TRAK		A AMBER B BLUE	Z ANTIQUE BRONZE S SATIN NICKEL	INCANDESCENT -CF COMPACT FLUORESCENT
TT2	TWO-CIRCUIT T-TRAK		F FROST	W WHITE	
SL	SINGLE-CIRCUIT STRAIGHTLINE			SL + SL2 CONN/FINISH	
SL2	TWO-CIRCUIT STRAIGHTLINE			BS BLACK/SATIN NICKEL WS WHITE/SATIN NICKEL	



BLUE



FROST

T~trak™: Single-Circuit T~trak Satin Nickel / 4" Round Power Feed Canopy without Connector / 2" Rigid Standoffs with Connector / 2" Rigid Standoffs without Connector / Nest Large Pendants Amber / Medium Base Lamps



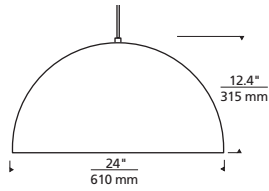
PHOTOGRAPHER: MIKE SEIDL

DESIGN: LOCHWOOD-LOZIER ELEGANT HOMES

LOCATION: RESIDENCE - BELLEVUE, WA

POWELL STREET

Spun metal shade, painted to supply a wash of white or tinted light. Includes 120 volt, 150 watt medium base G40 globe lamp. Fixture is provided with six feet of field-cutable cable.



700	SYSTEM	PSP24	OUTER / INNER COLOR	TT + TT2 FINISH
TT	SINGLE-CIRCUIT T-TRAK	SO	SATIN NICKEL / SUNRISE ORANGE	Z ANTIQUE BRONZE
TT2	TWO-CIRCUIT T-TRAK			S SATIN NICKEL
SL	SINGLE-CIRCUIT STRAIGHTLINE	SW	SATIN NICKEL / WHITE	W WHITE
SL2	TWO-CIRCUIT STRAIGHTLINE			SL + SL2 CONN/FINISH
				BS BLACK/SATIN NICKEL
				WS WHITE/SATIN NICKEL



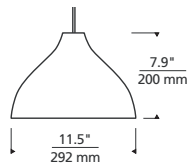
SATIN NICKEL /
SUNRISE ORANGE



SATIN NICKEL /
WHITE

NOIR

Multi-layered glass. A glossy deep black outer layer contrasts with a colored inner layer to supply a downward wash of light. Includes 120 volt, 75 watt medium base lamp or 18 watt GX24Q-2 base triple tube compact fluorescent lamp. Fixture is provided with six feet of field-cutable cable.



700	SYSTEM	NORLP	COLOR	TT + TT2 FINISH	LAMP
TT	SINGLE-CIRCUIT T-TRAK	BR	BLACK/RED	Z ANTIQUE BRONZE	INCANDESCENT
			BW BLACK/WHITE	S SATIN NICKEL	-CF COMPACT FLUORESCENT
TT2	TWO-CIRCUIT T-TRAK	BY	BLACK/YELLOW	W WHITE	
SL	SINGLE-CIRCUIT STRAIGHTLINE			SL + SL2 CONN/FINISH	
SL2	TWO-CIRCUIT STRAIGHTLINE			BS BLACK/SATIN NICKEL	
				WS WHITE/SATIN NICKEL	



BLACK/RED



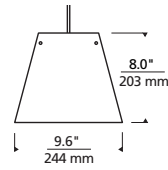
BLACK/WHITE



BLACK/YELLOW

SERENGETI

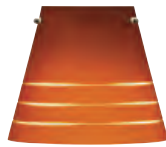
Classically shaped glass shade with unique carving. Includes 120 volt, 100 watt medium base lamp or 18 watt GX24Q-2 base triple tube compact fluorescent lamp. Fixture is provided with six feet of field-cutttable cable.



700 SYSTEM	SRNP	COLOR	TT + TT2 FINISH	LAMP
TT	SINGLE-CIRCUIT T-TRAK	A AMBER/WHITE	Z ANTIQUE BRONZE	INCANDESCENT
		B BLACK/WHITE	S SATIN NICKEL	-CF COMPACT
TT2	TWO-CIRCUIT T-TRAK	N BROWN/WHITE	W WHITE	FLUORESCENT
		R RED/WHITE		
SL	SINGLE-CIRCUIT STRAIGHTLINE	W WHITE/CLEAR	SL + SL2 CONN/FINISH	
			B5 BLACK/SATIN NICKEL	
SL2	TWO-CIRCUIT STRAIGHTLINE		WS WHITE/SATIN NICKEL	



BLACK/WHITE



BROWN/WHITE



RED/WHITE



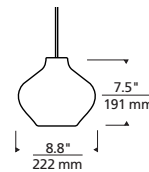
WHITE/CLEAR



AMBER/WHITE

SCAVO

Curved shape glass with a frosted old world charm. Includes 120 volt, 60 watt mini-candelabra base lamp or 18 watt GX24Q-2 base triple tube compact fluorescent lamp. Fixture is provided with six feet of field-cutttable cable.



700 SYSTEM	SCALP	COLOR	TT + TT2 FINISH	LAMP
TT	SINGLE-CIRCUIT T-TRAK	A AMBER	Z ANTIQUE BRONZE	INCANDESCENT
		M AMETHYST	S SATIN NICKEL	-CF COMPACT
TT2	TWO-CIRCUIT T-TRAK	F FROST	W WHITE	FLUORESCENT
		G GREEN		
SL	SINGLE-CIRCUIT STRAIGHTLINE		SL + SL2 CONN/FINISH	
			B5 BLACK/SATIN NICKEL	
SL2	TWO-CIRCUIT STRAIGHTLINE		WS WHITE/SATIN NICKEL	



AMETHYST



FROST



GREEN



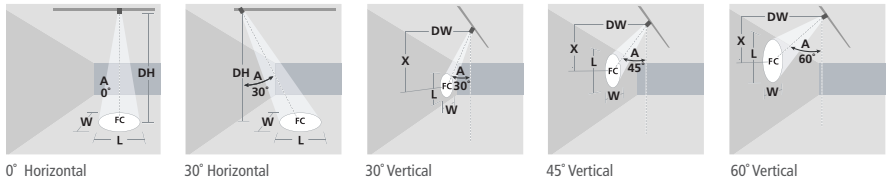
AMBER

T~trak™: Single-Circuit T~trak Satin Nickel / 4" Round Power Feed Canopy without Connector / 6" Rigid Standoffs without Connector / Om with Incandescent PAR Heads / PAR20 Lamps



LOCATION: RESIDENCE - CHICAGO, IL PHOTOGRAPHER: JEFF MILLIES, HEDRICH BLESSING - CHICAGO, IL

- A Aiming angle of fixture, measured from 0°
- DH Vertical distance from fixture to horizontal surface
- DW Distance from fixture to wall
- FC Footcandles at beam center
- X Vertical distance from beam center to ceiling
- L Length of beam
- W Width of beam
- CBCP Centerbeam Candlepower



Fixture Usage	Lamp Type/ Part Number	Beam Spread	CBCP	Horizontal Surfaces						Vertical Surfaces									
				0°		30°		30°		45°		60°							
				DH	FC	L	W	FC	L	W	DW	FC	X	L	W	FC	X	L	W

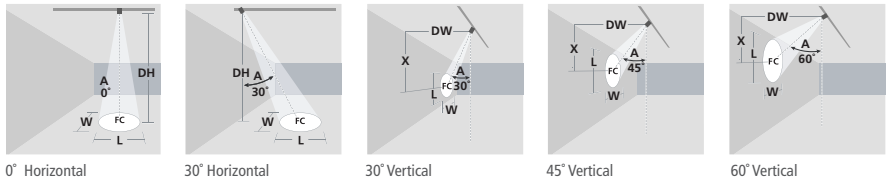
CMH T4.5 Lamps

Breeze Om 	CMH T4.5 20w 300BHV401	15° 	10106	10	101	2.6	2.6	66	3.5	3.0	4	79	6.9	4.4	2.1	223	4.0	2.1	1.5	410	2.3	1.4	1.2
				12	70	3.2	3.2	46	4.2	3.7	6	35	10.4	6.7	3.2	99	6.0	3.2	2.2	182	3.5	2.1	1.8
				14	52	3.7	3.7	33	4.9	4.3	8	20	13.9	8.9	4.2	56	8.0	4.3	3.0	103	4.6	2.8	2.4
				16	39	4.2	4.2	26	5.6	4.8	10	13	17.3	11.1	5.3	36	10.0	5.4	3.7	66	5.8	3.5	3.0
				18	31	4.7	4.7	20	6.4	5.4	12	9	20.8	13.3	6.3	25	12.0	6.4	4.5	46	6.9	4.2	3.6
		30° 	3331	10	33	5.4	5.4	22	7.3	6.2	4	26	6.9	10.9	4.3	74	4.0	4.6	3.0	135	2.3	2.9	2.5
				12	23	6.4	6.4	15	8.8	7.4	6	12	10.4	16.4	6.4	33	6.0	6.9	4.5	60	3.5	4.4	3.7
				14	17	7.5	7.5	11	10.2	8.7	8	7	13.9	21.9	8.6	18	8.0	9.2	6.1	34	4.6	5.9	5.0
				16	13	8.6	8.6	8	11.7	9.9	10	4	17.3	27.3	10.7	12	10.0	11.5	7.6	22	5.8	7.3	6.2
				18	10	9.6	9.6	7	13.2	11.1	12	3	20.8	32.8	12.9	8	12.0	13.9	9.1	15	6.9	8.8	7.4
		45° 	1420	10	14	8.3	8.3	18	11.7	9.6	4	11	6.9	27.3	6.6	31	4.0	8.0	4.7	58	2.3	4.7	3.8
				12	10	9.9	9.9	13	14.1	11.5	6	5	10.4	41.0	9.9	14	6.0	12.0	7.0	26	3.5	7.0	5.7
				14	7	11.6	11.6	9	16.4	13.4	8	3	13.9	54.6	13.3	8	8.0	16.0	9.4	14	4.6	9.4	7.7
				16	6	13.3	13.3	7	18.7	15.3	10	2	17.3	68.3	16.6	5	10.0	20.0	11.7	9	5.8	11.7	9.6
				18	4	14.9	14.9	6	21.1	17.2	12	1	20.8	81.9	19.9	3	12.0	24.0	14.1	6	6.9	14.1	11.5
		60° 	614	10	6	11.5	11.5	4	17.3	13.3	4	5	6.9	*	9.2	14	4.0	13.9	6.5	25	2.3	6.9	5.3
				12	4	13.9	13.9	3	20.8	16.1	6	2	10.4	*	13.9	6	6.0	20.8	9.8	11	3.5	10.4	8.0
				14	3	16.2	16.2	2	24.2	18.7	8	1	13.9	*	18.5	3	8.0	27.7	13.1	6	4.6	13.9	10.7
				16	2	18.5	18.5	2	27.7	21.4	10	1	17.3	*	23.1	2	10.0	34.6	16.3	4	5.8	17.3	13.3
				18	2	20.8	20.8	1	31.2	24.0	12	1	20.8	*	27.7	2	12.0	41.6	19.6	3	6.9	20.8	16.0
Breeze Om 	CMH T4.5 39w 300BHV402	15° 	20212	10	202	2.6	2.6	131	3.5	3.0	4	158	6.9	4.4	2.1	447	4.0	2.1	1.5	821	2.3	1.4	1.2
				12	140	3.2	3.2	91	4.2	3.7	6	70	10.4	6.7	3.2	199	6.0	3.2	2.2	365	3.5	2.1	1.8
				14	103	3.7	3.7	67	4.9	4.3	8	39	13.9	8.9	4.2	112	8.0	4.3	3.0	205	4.6	2.8	2.4
				16	79	4.2	4.2	51	5.6	4.8	10	25	17.3	11.1	5.3	71	10.0	5.4	3.7	131	5.8	3.5	3.0
				18	62	4.7	4.7	41	6.4	5.4	12	18	20.8	13.3	6.3	50	12.0	6.4	4.5	91	6.9	4.2	3.6
		30° 	6662	10	67	5.4	5.4	43	7.3	6.2	4	52	6.9	10.9	4.3	147	4.0	4.6	3.0	270	2.3	2.9	2.5
				12	46	6.4	6.4	30	8.8	7.4	6	23	10.4	16.4	6.4	65	6.0	6.9	4.5	120	3.5	4.4	3.7
				14	34	7.5	7.5	22	10.2	8.7	8	13	13.9	21.9	8.6	37	8.0	9.2	6.1	68	4.6	5.9	5.0
				16	26	8.6	8.6	17	11.7	9.9	10	8	17.3	27.3	10.7	24	10.0	11.5	7.6	43	5.8	7.3	6.2
				18	21	9.6	9.6	13	13.2	11.1	12	6	20.8	32.8	12.9	16	12.0	13.9	9.1	30	6.9	8.8	7.4
		45° 	2840	10	28	8.3	8.3	18	11.7	9.6	4	22	6.9	27.3	6.6	63	4.0	8.0	4.7	115	2.3	4.7	3.8
				12	20	9.9	9.9	13	14.1	11.5	6	10	10.4	41.0	9.9	28	6.0	12.0	7.0	51	3.5	7.0	5.7
				14	14	11.6	11.6	9	16.4	13.4	8	6	13.9	54.6	13.3	16	8.0	16.0	9.4	29	4.6	9.4	7.7
				16	11	13.3	13.3	7	18.7	15.3	10	4	17.3	68.3	16.6	10	10.0	20.0	11.7	18	5.8	11.7	9.6
				18	9	14.9	14.9	6	21.1	17.2	12	2	20.8	81.9	19.9	7	12.0	24.0	14.1	13	6.9	14.1	11.5
		60° 	1228	10	12	11.5	11.5	8	17.3	13.3	4	10	6.9	*	9.2	27	4.0	13.9	6.5	50	2.3	6.9	5.3
				12	9	13.9	13.9	6	20.8	16.1	6	4	10.4	*	13.9	12	6.0	20.8	9.8	22	3.5	10.4	8.0
				14	6	16.2	16.2	4	24.2	18.7	8	2	13.9	*	18.5	7	8.0	27.7	13.1	12	4.6	13.9	10.7
				16	5	18.5	18.5	3	27.7	21.4	10	2	17.3	*	23.1	4	10.0	34.6	16.3	8	5.8	17.3	13.3
				18	4	20.8	20.8	2	31.2	24.0	12	1	20.8	*	27.7	3	12.0	41.6	19.6	6	6.9	20.8	16.0

*Steep aiming angle, length of beam extends beyond 25'

PHOTOMETRICS

- A** Aiming angle of fixture, measured from 0°
- DH** Vertical distance from fixture to horizontal surface
- DW** Distance from fixture to wall
- FC** Footcandles at beam center
- X** Vertical distance from beam center to ceiling
- L** Length of beam
- W** Width of beam
- CBCP** Centerbeam Candlepower



Fixture Usage	Lamp Type/ Part Number	Beam Spread	CBCP	Horizontal Surfaces									Vertical Surfaces											
				0°			30°			30°			45°				60°							
				DH	FC	L W	FC	L W	DW	FC	X	L W	FC	X	L W	FC	X	L W						

CMH T4.5 Lamps *continued*

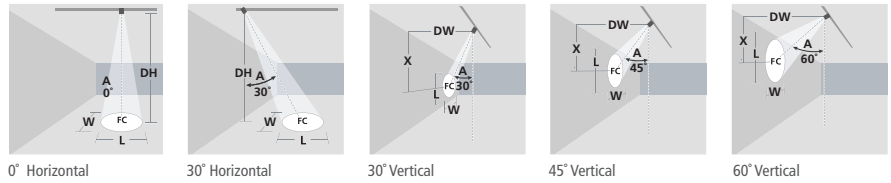
Breeze Om 	CMH T4.5 70w 300BHV403		36866	10	369	2.6	2.6	239	3.5	3.0	4	288	6.9	4.4	2.1	815	4.0	2.1	1.5	1497	2.3	1.4	1.2
				12	256	3.2	3.2	166	4.2	3.7	6	128	10.4	6.7	3.2	362	6.0	3.2	2.2	665	3.5	2.1	1.8
				14	188	3.7	3.7	122	4.9	4.3	8	72	13.9	8.9	4.2	204	8.0	4.3	3.0	374	4.6	2.8	2.4
				16	144	4.2	4.2	94	5.6	4.8	10	46	17.3	11.1	5.3	130	10.0	5.4	3.7	239	5.8	3.5	3.0
				18	114	4.7	4.7	74	6.4	5.4	12	32	20.8	13.3	6.3	91	12.0	6.4	4.5	166	6.9	4.2	3.6
			12151	10	122	5.4	5.4	79	7.3	6.2	4	95	6.9	10.9	4.3	269	4.0	4.6	3.0	493	2.3	2.9	2.5
				12	84	6.4	6.4	55	8.8	7.4	6	42	10.4	16.4	6.4	119	6.0	6.9	4.5	219	3.5	4.4	3.7
				14	62	7.5	7.5	40	10.2	8.7	8	24	13.9	21.9	8.6	67	8.0	9.2	6.1	123	4.6	5.9	5.0
				16	47	8.6	8.6	31	11.7	9.9	10	15	17.3	27.3	10.7	43	10.0	11.5	7.6	79	5.8	7.3	6.2
				18	38	9.6	9.6	24	13.2	11.1	12	11	20.8	32.8	12.9	30	12.0	13.9	9.1	55	6.9	8.8	7.4
			5179	10	14	8.3	8.3	9	11.7	9.6	4	40	6.9	27.3	6.6	114	4.0	8.0	4.7	210	2.3	4.7	3.8
				12	10	9.9	9.9	6	14.1	11.5	6	18	10.4	41.0	9.9	51	6.0	12.0	7.0	93	3.5	7.0	5.7
				14	7	11.6	11.6	5	16.4	13.4	8	10	13.9	54.6	13.3	29	8.0	16.0	9.4	53	4.6	9.4	7.7
				16	6	13.3	13.3	4	18.7	15.3	10	6	17.3	68.3	16.6	18	10.0	20.0	11.7	34	5.8	11.7	9.6
				18	4	14.9	14.9	3	21.1	17.2	12	4	20.8	81.9	19.9	13	12.0	24.0	14.1	23	6.9	14.1	11.5
			2240	10	22	11.5	11.5	15	17.3	13.3	4	18	6.9	*	9.2	49	4.0	13.9	6.5	91	2.3	6.9	5.3
				12	16	13.9	13.9	10	20.8	16.1	6	8	10.4	*	13.9	22	6.0	20.8	9.8	40	3.5	10.4	8.0
				14	11	16.2	16.2	7	24.2	18.7	8	4	13.9	*	18.5	12	8.0	27.7	13.1	23	4.6	13.9	10.7
				16	9	18.5	18.5	6	27.7	21.4	10	3	17.3	*	23.1	8	10.0	34.6	16.3	15	5.8	17.3	13.3
				18	7	20.8	20.8	4	31.2	24.0	12	2	20.8	*	27.7	5	12.0	41.6	19.6	10	6.9	20.8	16.0

CMH PAR Lamps

Om	CMH MR16 GX10 50w 12° 300BHV440 		9000	8	140.6	1.7	1.7	91.3	2.3	1.9	4	70.3	6.9	3.5	1.7	196.9	4.0	1.7	1.2	365.4	2.3	1.1	1.0
				10	90.0	2.1	2.1	58.5	2.8	2.4	6	31.3	10.4	5.2	2.5	88.4	6.0	2.6	1.8	162.4	3.5	1.7	1.5
				12	62.5	2.5	2.5	40.6	3.4	2.9	8	17.6	13.9	7.0	3.4	49.7	8.0	3.4	2.4	91.3	4.6	2.3	1.9
				14	45.9	2.9	2.9	29.8	3.9	3.4	10	11.3	17.3	8.7	4.2	31.8	10.0	4.3	3.0	58.5	5.8	2.8	2.4
				16	35.2	3.4	3.4	22.8	4.5	3.9	12	7.8	20.8	10.4	5.0	22.1	12.0	5.1	3.6	40.6	6.9	3.4	2.9
	CMH MR16 GX10 50w 25° 300BHV441 		2900	8	45.3	3.5	3.5	29.4	4.8	4.1	4	22.7	6.9	8.3	3.5	64.1	4.0	3.7	2.5	117.7	2.3	2.4	2.0
				10	29.0	4.4	4.4	18.8	6.0	5.1	6	10.1	10.4	12.5	5.3	28.5	6.0	5.6	3.8	52.3	3.5	3.6	3.1
				12	20.1	5.3	5.3	13.1	7.2	6.1	8	5.7	13.9	16.6	7.1	16.0	8.0	7.5	5.0	29.4	4.6	4.8	4.1
				14	14.8	6.2	6.2	9.6	8.4	7.2	10	3.6	17.3	20.8	8.9	10.3	10.0	9.3	6.3	18.8	5.8	6.0	5.1
				16	11.3	7.1	7.1	7.4	9.6	8.2	12	2.5	20.8	25.0	10.6	7.1	12.0	11.2	7.5	13.1	6.9	7.2	6.1
	CMH MR16 GX10 50w 40° 300BHV442 		1500	8	23.4	5.8	5.8	15.2	8.1	6.7	4	11.7	6.9	19.3	5.8	33.1	4.0	6.7	4.1	60.9	2.3	4.1	3.4
				10	15.0	7.3	7.3	9.7	10.2	8.4	6	5.2	10.4	29.0	8.7	14.7	6.0	10.1	6.2	27.1	3.5	6.1	5.0
				12	10.4	8.7	8.7	6.8	12.2	10.1	8	2.9	13.9	38.7	11.6	8.3	8.0	13.4	8.2	15.2	4.6	8.1	6.7
				14	7.7	10.2	10.2	5.0	14.2	11.8	10	1.9	17.3	48.3	14.6	5.3	10.0	16.8	10.3	9.7	5.8	10.2	8.4
				16	5.9	11.6	11.6	3.8	16.2	13.4	12	1.3	20.8	58.0	17.5	3.7	12.0	20.1	12.4	6.8	6.9	12.2	10.1
Om Sportster Spot	CMH PAR20 39w 10° 300BHV410 		22000	10	220	1.7	1.7	143	2.3	2.0	4	172	6.9	2.9	1.4	486	4.0	1.4	1.0	893	2.3	0.9	0.8
				12	153	2.1	2.1	99	2.8	2.4	6	76	10.4	4.3	2.1	216	6.0	2.1	1.5	397	3.5	1.4	1.2
				14	112	2.4	2.4	73	3.3	2.8	8	43	13.9	5.7	2.8	122	8.0	2.8	2.0	223	4.6	1.9	1.6
				16	86	2.8	2.8	56	3.7	3.2	10	28	17.3	7.2	3.5	78	10.0	3.5	2.5	143	5.8	2.3	2.0
				18	68	3.1	3.1	44	4.2	3.6	12	19	20.8	8.6	4.2	54	12.0	4.2	3.0	99	6.9	2.8	2.4
	CMH PAR20 39w 25° 300BHV409 		7500	10	75	4.4	4.4	49	6.0	5.1	4	59	6.9	8.3	3.5	166	4.0	3.7	2.5	304	2.3	2.4	2.0
				12	52	5.3	5.3	34	7.2	6.1	6	26	10.4	12.5	5.3	74	6.0	5.6	3.8	135	3.5	3.6	3.1
				14	38	6.2	6.2	25	8.4	7.2	8	15	13.9	16.6	7.1	41	8.0	7.5	5.0	76	4.6	4.8	4.1
				16	29	7.1	7.1	19	9.6	8.2	10	9	17.3	20.8	8.9	27	10.0	9.3	6.3	49	5.8	6.0	5.1
				18	23	8.0	8.0	15	10.8	9.2	12	7	20.8	25.0	10.6	18	12.0	11.2	7.5	34	6.9	7.2	6.1
Breeze Om Soma Sportster Tweak 	CMH PAR30 LONG 39w 10° 300BHV406		39600	10	396	1.7	1.7	257	2.3	2.0	4	309	6.9	2.9	1.4	875	4.0	1.4	1.0	1608	2.3	0.9	0.8
				12	275	2.1	2.1	179	2.8	2.4	6	138	10.4	4.3	2.1	389	6.0	2.1	1.5	714	3.5	1.4	1.2
				14	202	2.4	2.4	131	3.3	2.8	8	77	13.9	5.7	2.8	219	8.0	2.8	2.0	402	4.6	1.9	1.6
				16	155	2.8	2.8	100	3.7	3.2	10	50	17.3	7.2	3.5	140	10.0	3.5	2.5	257	5.8	2.3	2.0
				18	122	3.1	3.1	79	4.2	3.6	12	34	20.8	8.6	4.2	97	12.0	4.2	3.0	179	6.9	2.8	2.4

*Steep aiming angle, length of beam extends beyond 25'

- A** Aiming angle of fixture, measured from 0°
- DH** Vertical distance from fixture to horizontal surface
- DW** Distance from fixture to wall
- FC** Footcandles at beam center
- X** Vertical distance from beam center to ceiling
- L** Length of beam
- W** Width of beam
- CBCP** Centerbeam Candlepower



Fixture Usage	Lamp Type/ Part Number	Beam Spread	CBCP	Horizontal Surfaces									Vertical Surfaces											
				0°			30°			30°			45°			60°								
				DH	FC	L	W	FC	L	W	DW	FC	X	L	W	FC	X	L	W	FC	X	L	W	

CMH PAR Lamps continued

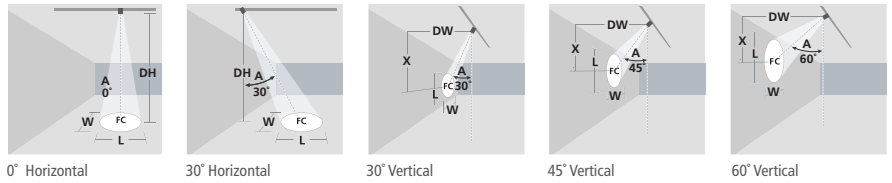
	25°	11000	10	110	4.4	4.4	71	6.0	5.1	4	86	6.9	8.3	3.5	243	4.0	3.7	2.5	447	2.3	2.4	2.0
			12	76	5.3	5.3	50	7.2	6.1	6	38	10.4	12.5	5.3	108	6.0	5.6	3.8	198	3.5	3.6	3.1
			14	56	6.2	6.2	36	8.4	7.2	8	21	13.9	16.6	7.1	61	8.0	7.5	5.0	112	4.6	4.8	4.1
			16	43	7.1	7.1	28	9.6	8.2	10	14	17.3	20.8	8.9	39	10.0	9.3	6.3	71	5.8	6.0	5.1
			18	34	8.0	8.0	22	10.8	9.2	12	10	20.8	25.0	10.6	27	12.0	11.2	7.5	50	6.9	7.2	6.1
	15°	43000	10	430	2.6	2.6	279	3.5	3.0	4	336	6.9	4.4	2.1	950	4.0	2.1	1.5	1746	2.3	1.4	1.2
			12	299	3.2	3.2	194	4.2	3.7	6	149	10.4	6.7	3.2	422	6.0	3.2	2.2	776	3.5	2.1	1.8
			14	219	3.7	3.7	142	4.9	4.3	8	84	13.9	8.9	4.2	238	8.0	4.3	3.0	436	4.6	2.8	2.4
			16	168	4.2	4.2	109	5.6	4.8	10	54	17.3	11.1	5.3	152	10.0	5.4	3.7	279	5.8	3.5	3.0
			18	133	4.7	4.7	86	6.4	5.4	12	37	20.8	13.3	6.3	106	12.0	6.4	4.5	194	6.9	4.2	3.6
	40°	10000	10	100	7.3	7.3	65	10.2	8.4	4	78	6.9	19.3	5.8	221	4.0	6.7	4.1	406	2.3	4.1	3.4
			12	69	8.7	8.7	45	12.2	10.0	6	35	10.4	29.0	8.7	98	6.0	10.1	6.2	180	3.5	6.1	5.0
			14	51	10.2	10.2	33	14.2	11.8	8	20	13.9	38.7	11.6	55	8.0	13.4	8.2	101	4.6	8.1	6.7
			16	39	11.6	11.6	25	16.2	13.4	10	13	17.3	48.3	14.6	35	10.0	16.8	10.3	65	5.8	10.2	8.4
			18	31	13.1	13.1	20	18.3	15.1	12	9	20.8	58.0	17.5	25	12.0	20.1	12.4	45	6.9	12.2	10.1

Incandescent PAR Lamps

	40°	800	8	13	5.8	5.8	8	8.1	6.7	4	6	6.9	19.3	5.8	18	4.0	6.7	4.1	32	2.3	4.1	3.4
			10	8	7.3	7.3	5	10.2	8.4	6	3	10.4	29.0	8.7	8	6.0	10.1	6.2	14	3.5	6.1	5.0
			12	6	8.7	8.7	4	12.2	10.0	8	2	13.9	38.7	11.6	4	8.0	13.4	8.2	8	4.6	8.1	6.7
			14	4	10.2	10.2	3	14.2	11.8	10	1	17.3	48.3	14.6	3	10.0	16.8	10.3	5	5.8	10.2	8.4
			16	3	11.6	11.6	2	16.2	13.4	12	1	20.8	58.0	17.5	2	12.0	20.1	12.4	4	6.9	12.2	10.1
	10°	3000	8	47	1.4	1.4	30	1.9	1.6	4	23	6.9	2.9	1.4	66	4.0	1.4	1.0	122	2.3	0.9	0.8
			10	30	1.7	1.7	19	2.3	2.0	6	10	10.4	4.3	2.1	29	6.0	2.1	1.5	54	3.5	1.4	1.2
			12	21	2.1	2.1	14	2.8	2.4	8	6	13.9	5.7	2.8	17	8.0	2.8	2.0	30	4.6	1.9	1.6
			14	15	2.4	2.4	10	3.3	2.8	10	4	17.3	7.2	3.5	11	10.0	3.5	2.5	19	5.8	2.3	2.0
			16	12	2.8	2.8	8	3.7	3.2	12	3	20.8	8.6	4.2	7	12.0	4.2	3.0	14	6.9	2.8	2.4
	30°	800	8	13	4.3	4.3	8	5.9	5.0	4	6	6.9	10.9	4.3	18	4.0	4.6	3.0	32	2.3	2.9	2.5
			10	8	5.4	5.4	5	7.3	6.2	6	3	10.4	16.4	6.4	8	6.0	6.9	4.5	14	3.5	4.4	3.7
			12	6	6.4	6.4	4	8.8	7.4	8	2	13.9	21.9	8.6	4	8.0	9.2	6.1	8	4.6	5.9	5.0
			14	4	7.5	7.5	3	10.2	8.7	10	1	17.3	27.3	10.7	3	10.0	11.5	7.6	5	5.8	7.3	6.2
			16	3	8.6	8.6	2	11.7	9.9	12	1	20.8	32.8	12.9	2	12.0	13.9	9.1	4	6.9	8.8	7.4
	40°	500	8	8	5.8	5.8	5	8.1	6.7	4	4	6.9	19.3	5.8	11	4.0	6.7	4.1	20	2.3	4.1	3.4
			10	5	7.3	7.3	3	10.2	8.4	6	2	10.4	29.0	8.7	5	6.0	10.1	6.2	9	3.5	6.1	5.0
			12	3	8.7	8.7	2	12.2	10.0	8	1	13.9	38.7	11.6	3	8.0	13.4	8.2	5	4.6	8.1	6.7
			14	3	10.2	10.2	2	14.2	11.8	10	1	17.3	48.3	14.6	2	10.0	16.8	10.3	3	5.8	10.2	8.4
			16	2	11.6	11.6	1	16.2	13.4	12	0	20.8	58.0	17.5	1	12.0	20.1	12.4	2	6.9	12.2	10.1
	10°	4600	8	72	1.4	1.4	47	1.9	1.6	4	36	6.9	2.9	1.4	102	4.0	1.4	1.0	187	2.3	0.9	0.8
			10	46	1.7	1.7	30	2.3	2.0	6	6	10.4	4.3	2.1	45	6.0	2.1	1.5	83	3.5	1.4	1.2
			12	32	2.1	2.1	21	2.8	2.4	8	9	13.9	5.7	2.8	25	8.0	2.8	2.0	47	4.6	1.9	1.6
			14	23	2.4	2.4	15	3.3	2.8	10	6	17.3	7.2	3.5	16	10.0	3.5	2.5	30	5.8	2.3	2.0
			16	18	2.8	2.8	12	3.7	3.2	12	4	20.8	8.6	4.2	11	12.0	4.2	3.0	21	6.9	2.8	2.4
	30°	1200	8	19	4.3	4.3	12	5.9	5.0	4	9	6.9	10.9	4.3	27	4.0	4.6	3.0	49	2.3	2.9	2.5
			10	12	5.4	5.4	8	7.3	6.2	6	4	10.4	16.4	6.4	12	6.0	6.9	4.5	22	3.5	4.4	3.7
			12	8	6.4	6.4	5	8.8	7.4	8	2	13.9	21.9	8.6	7	8.0	9.2	6.1	12	4.6	5.9	5.0
			14	6	7.5	7.5	4	10.2	8.7	10	2	17.3	27.3	10.7	4	10.0	11.5	7.6	8	5.8	7.3	6.2
			16	5	8.6	8.6	3	11.7	9.9	12	1	20.8	32.8	12.9	3	12.0	13.9	9.1	5	6.9	8.8	7.4
	40°	900	8	14	5.8	5.8	9	8.1	6.7	4	7	6.9	19.3	5.8	20	4.0	6.7	4.1	37	2.3	4.1	3.4
			10	9	7.3	7.3	6	10.2	8.4	6	3	10.4	29.0	8.7	9	6.0	10.1	6.2	16	3.5	6.1	5.0
			12	6	8.7	8.7	4	12.2	10.0	8	2	13.9	38.7	11.6	5	8.0	13.4	8.2	9	4.6	8.1	6.7
			14	5	10.2	10.2	3	14.2	11.8	10	1	17.3	48.3	14.6	3	10.0	16.8	10.3	6	5.8	10.2	8.4
			16	4	11.6	11.6	2	16.2	13.4	12	1	20.8	58.0	17.5	2	12.0	20.1	12.4	4	6.9	12.2	10.1

PHOTOMETRICS

- A** Aiming angle of fixture, measured from 0°
- DH** Vertical distance from fixture to horizontal surface
- DW** Distance from fixture to wall
- FC** Footcandles at beam center
- X** Vertical distance from beam center to ceiling
- L** Length of beam
- W** Width of beam
- CBCP** Centerbeam Candlepower

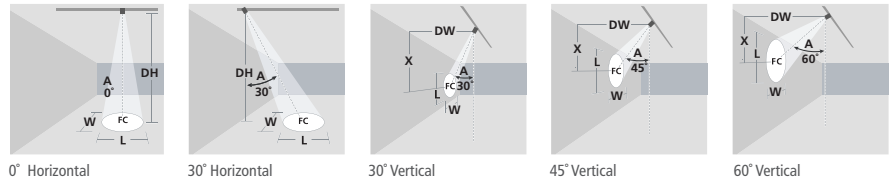


Fixture Usage	Lamp Type/ Part Number	Beam Spread	CBCP	Horizontal Surfaces									Vertical Surfaces							
				0°			30°			30°			45°				60°			
				DH	FC	L W	FC	L W	DW	FC	X L W	FC	X L W	FC	X L W	FC	X L W			

Incandescent PAR Lamps *continued*

Breeze Om Sportster Tweak	PAR30 SHORT 50w 9° 300BHV418		8800	8	138	1.3	1.3	89	1.7	1.5	4	69	6.9	2.6	1.3	194	4.0	1.3	0.9	357	2.3	0.8	0.7
				10	88	1.6	1.6	57	2.1	1.8	6	31	10.4	3.8	1.9	86	6.0	1.9	1.3	159	3.5	1.3	1.1
				12	61	1.9	1.9	40	2.5	2.2	8	17	13.9	5.1	2.5	49	8.0	2.5	1.8	89	4.6	1.7	1.5
				14	45	2.2	2.2	29	2.9	2.5	10	11	17.3	6.4	3.1	31	10.0	3.2	2.2	57	5.8	2.1	1.8
				16	34	2.5	2.5	22	3.4	2.9	12	8	20.8	7.7	3.8	22	12.0	3.8	2.7	40	6.9	2.5	2.2
	25°	2300	8	36	3.5	3.5	23	4.8	4.0	4	18	6.9	8.3	3.5	51	4.0	3.7	2.5	93	2.3	2.4	2.0	
			10	23	4.4	4.4	15	6.0	5.1	6	8	10.4	12.5	5.3	23	6.0	5.6	3.8	41	3.5	3.6	3.1	
			12	16	5.3	5.3	10	7.2	6.1	8	4	13.9	16.6	7.1	13	8.0	7.5	5.0	23	4.6	4.8	4.1	
			14	12	6.2	6.2	8	8.4	7.2	10	3	17.3	20.8	8.9	8	10.0	9.3	6.3	15	5.8	6.0	5.1	
			16	9	7.1	7.1	6	9.6	8.2	12	2	20.8	25.0	10.6	6	12.0	11.2	7.5	10	6.9	7.2	6.1	
	40°	1300	8	20	5.8	5.8	13	8.1	6.7	4	10	6.9	19.3	5.8	29	4.0	6.7	4.1	53	2.3	4.1	3.4	
			10	13	7.3	7.3	8	10.2	8.4	6	5	10.4	29.0	8.7	13	6.0	10.1	6.2	23	3.5	6.1	5.0	
			12	9	8.7	8.7	6	12.2	10.0	8	3	13.9	38.7	11.6	7	8.0	13.4	8.2	13	4.6	8.1	6.7	
			14	7	10.2	10.2	4	14.2	11.8	10	2	17.3	48.3	14.6	5	10.0	16.8	10.3	8	5.8	10.2	8.4	
			16	5	11.6	11.6	3	16.2	13.4	12	1	20.8	58.0	17.5	3	12.0	20.1	12.4	6	6.9	12.2	10.1	
	9°	15400	8	241	1.3	1.3	156	1.7	1.5	4	120	6.9	2.6	1.3	340	4.0	1.3	0.9	625	2.3	0.8	0.7	
			10	154	1.6	1.6	100	2.1	1.8	6	53	10.4	3.8	1.9	151	6.0	1.9	1.3	278	3.5	1.3	1.1	
			12	107	1.9	1.9	69	2.5	2.2	8	30	13.9	5.1	2.5	85	8.0	2.5	1.8	156	4.6	1.7	1.5	
			14	79	2.2	2.2	51	2.9	2.5	10	19	17.3	6.4	3.1	54	10.0	3.2	2.2	100	5.8	2.1	1.8	
			16	60	2.5	2.5	39	3.4	2.9	12	13	20.8	7.7	3.8	38	12.0	3.8	2.7	69	6.9	2.5	2.2	
	25°	4000	8	63	3.5	3.5	41	4.8	4.0	4	31	6.9	8.3	3.5	88	4.0	3.7	2.5	162	2.3	2.4	2.0	
			10	40	4.4	4.4	26	6.0	5.1	6	14	10.4	12.5	5.3	39	6.0	5.6	3.8	72	3.5	3.6	3.1	
			12	28	5.3	5.3	18	7.2	6.1	8	8	13.9	16.6	7.1	22	8.0	7.5	5.0	41	4.6	4.8	4.1	
			14	20	6.2	6.2	13	8.4	7.2	10	5	17.3	20.8	8.9	14	10.0	9.3	6.3	26	5.8	6.0	5.1	
			16	16	7.1	7.1	10	9.6	8.2	12	3	20.8	25.0	10.6	10	12.0	11.2	7.5	18	6.9	7.2	6.1	
	40°	2100	8	33	5.8	5.8	21	8.1	6.7	4	16	6.9	19.3	5.8	46	4.0	6.7	4.1	85	2.3	4.1	3.4	
			10	21	7.3	7.3	14	10.2	8.4	6	7	10.4	29.0	8.7	21	6.0	10.1	6.2	38	3.5	6.1	5.0	
			12	15	8.7	8.7	9	12.2	10.0	8	4	13.9	38.7	11.6	12	8.0	13.4	8.2	21	4.6	8.1	6.7	
			14	11	10.2	10.2	7	14.2	11.8	10	3	17.3	48.3	14.6	7	10.0	16.8	10.3	14	5.8	10.2	8.4	
			16	8	11.6	11.6	5	16.2	13.4	12	2	20.8	58.0	17.5	5	12.0	20.1	12.4	9	6.9	12.2	10.1	
Breeze Om Soma Sportster Tweak	PAR30 LONG 50w 9° 300BHV424		8800	8	138	1.3	1.3	89	1.7	1.5	4	69	6.9	2.6	1.3	194	4.0	1.3	0.9	357	2.3	0.8	0.7
				10	88	1.6	1.6	57	2.1	1.8	6	31	10.4	3.8	1.9	86	6.0	1.9	1.3	159	3.5	1.3	1.1
				12	61	1.9	1.9	40	2.5	2.2	8	17	13.9	5.1	2.5	49	8.0	2.5	1.8	89	4.6	1.7	1.5
				14	45	2.2	2.2	29	2.9	2.5	10	11	17.3	6.4	3.1	31	10.0	3.2	2.2	57	5.8	2.1	1.8
				16	34	2.5	2.5	22	3.4	2.9	12	8	20.8	7.7	3.8	22	12.0	3.8	2.7	40	6.9	2.5	2.2
	25°	2300	8	36	3.5	3.5	23	4.8	4.0	4	18	6.9	8.3	3.5	51	4.0	3.7	2.5	93	2.3	2.4	2.0	
			10	23	4.4	4.4	15	6.0	5.1	6	8	10.4	12.5	5.3	23	6.0	5.6	3.8	41	3.5	3.6	3.1	
			12	16	5.3	5.3	10	7.2	6.1	8	4	13.9	16.6	7.1	13	8.0	7.5	5.0	23	4.6	4.8	4.1	
			14	12	6.2	6.2	8	8.4	7.2	10	3	17.3	20.8	8.9	8	10.0	9.3	6.3	15	5.8	6.0	5.1	
			16	9	7.1	7.1	6	9.6	8.2	12	2	20.8	25.0	10.6	6	12.0	11.2	7.5	10	6.9	7.2	6.1	
	50°	1300	8	20	7.5	7.5	13	10.7	8.7	4	10	6.9	42.9	7.5	29	4.0	9.5	5.3	53	2.3	5.4	4.3	
			10	13	9.3	9.3	8	13.4	10.7	6	5	10.4	64.4	11.2	13	6.0	14.3	7.9	23	3.5	8.0	6.5	
			12	9	11.2	11.2	6	16.1	12.9	8	3	13.9	85.8	14.9	7	8.0	19.1	10.6	13	4.6	10.7	8.6	
			14	7	13.1	13.1	4	18.8	15.1	10	2	17.3	107.3	18.7	5	10.0	23.8	13.2	8	5.8	13.4	10.8	
			16	5	14.9	14.9	3	21.5	17.2	12	1	20.8	128.8	22.4	3	12.0	28.6	15.8	6	6.9	16.1	12.9	
	9°	15400	8	241	1.3	1.3	156	1.7	1.5	4	120	6.9	2.6	1.3	340	4.0	1.3	0.9	625	2.3	0.8	0.7	
			10	154	1.6	1.6	100	2.1	1.8	6	53	10.4	3.8	1.9	151	6.0	1.9	1.3	278	3.5	1.3	1.1	
			12	107	1.9	1.9	69	2.5	2.2	8	30	13.9	5.1	2.5	85	8.0	2.5	1.8	156	4.6	1.7	1.5	
			14	79	2.2	2.2	51	2.9	2.5	10	19	17.3	6.4	3.1	54	10.0	3.2	2.2	100	5.8	2.1	1.8	
			16	60	2.5	2.5	39	3.4	2.9	12	13	20.8	7.7	3.8	38	12.0	3.8	2.7	69	6.9	2.5	2.2	

- A** Aiming angle of fixture, measured from 0°
- DH** Vertical distance from fixture to horizontal surface
- DW** Distance from fixture to wall
- FC** Footcandles at beam center
- X** Vertical distance from beam center to ceiling
- L** Length of beam
- W** Width of beam
- CBCP** Centerbeam Candlepower

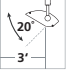
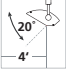
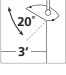
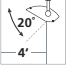
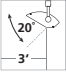
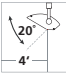
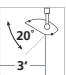
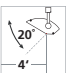


Fixture Usage	Lamp Type/ Part Number	Beam Spread	CBCP	Horizontal Surfaces									Vertical Surfaces							
				0°			30°			30°			45°				60°			
				DH	FC	L	W	FC	L	W	DW	FC	X	L	W	FC	X	L	W	FC

Incandescent PAR Lamps *continued*

	PAR30 LONG 75w 25° 300BHV428	25°	4000	8	241	3.5	3.5	156	4.8	4.0	4	31	6.9	8.3	3.5	88	4.0	3.7	2.5	162	2.3	2.4	2.0
				10	154	4.4	4.4	100	6.0	5.1	6	14	10.4	12.5	5.3	39	6.0	5.6	3.8	72	3.5	3.6	3.1
				12	107	5.3	5.3	69	7.2	6.1	8	8	13.9	16.6	7.1	22	8.0	7.5	5.0	41	4.6	4.8	4.1
				14	79	6.2	6.2	51	8.4	7.2	10	5	17.3	20.8	8.9	14	10.0	9.3	6.3	26	5.8	6.0	5.1
16	60	7.1	7.1	39	9.6	8.2	12	3	20.8	25.0	10.6	10	12.0	11.2	7.5	18	6.9	7.2	6.1				
	PAR30 LONG 75w 50° 300BHV429	50°	2100	8	33	7.5	7.5	21	10.7	8.7	4	16	6.9	42.9	7.5	46	4.0	9.5	5.3	85	2.3	5.4	4.3
				10	21	9.3	9.3	14	13.4	10.7	6	7	10.4	64.4	11.2	21	6.0	14.3	7.9	38	3.5	8.0	6.5
				12	15	11.2	11.2	9	16.1	12.9	8	4	13.9	85.8	14.9	12	8.0	19.1	10.6	21	4.6	10.7	8.6
				14	11	13.1	13.1	7	18.8	15.1	10	3	17.3	107.3	18.7	7	10.0	23.8	13.2	14	5.8	13.4	10.8
16	8	14.9	14.9	5	21.5	17.2	12	2	20.8	128.8	22.4	5	12.0	28.6	15.8	9	6.9	16.1	12.9				
	PAR38 60w 9° 300BHV430	9°	16000	8	250	1.3	1.3	162	1.7	1.5	4	125	6.9	2.6	1.3	354	4.0	1.3	0.9	650	2.3	0.8	0.7
				10	160	1.6	1.6	104	2.1	1.8	6	56	10.4	3.8	1.9	157	6.0	1.9	1.3	289	3.5	1.3	1.1
				12	111	1.9	1.9	72	2.5	2.2	8	31	13.9	5.1	2.5	88	8.0	2.5	1.8	162	4.6	1.7	1.5
				14	82	2.2	2.2	53	2.9	2.5	10	20	17.3	6.4	3.1	57	10.0	3.2	2.2	104	5.8	2.1	1.8
16	63	2.5	2.5	41	3.4	2.9	12	14	20.8	7.7	3.8	39	12.0	3.8	2.7	72	6.9	2.5	2.2				
	PAR38 60w 30° 300BHV431	30°	2500	8	39	4.3	4.3	25	5.9	5.0	4	20	6.9	10.9	4.3	55	4.0	4.6	3.0	101	2.3	2.9	2.5
				10	25	5.4	5.4	16	7.3	6.2	6	9	10.4	16.4	6.4	25	6.0	6.9	4.5	45	3.5	4.4	3.7
				12	17	6.4	6.4	11	8.8	7.4	8	5	13.9	21.9	8.6	14	8.0	9.2	6.1	25	4.6	5.9	5.0
				14	13	7.5	7.5	8	10.2	8.7	10	3	17.3	27.3	10.7	9	10.0	11.5	7.6	16	5.8	7.3	6.2
16	10	8.6	8.6	6	11.7	9.9	12	2	20.8	32.8	12.9	6	12.0	13.9	9.1	11	6.9	8.8	7.4				
	PAR38 90w 9° 300BHV432	9°	22200	8	347	1.3	1.3	225	1.7	1.5	4	173	6.9	2.6	1.3	491	4.0	1.3	0.9	901	2.3	0.8	0.7
				10	222	1.6	1.6	144	2.1	1.8	6	77	10.4	3.8	1.9	218	6.0	1.9	1.3	401	3.5	1.3	1.1
				12	154	1.9	1.9	100	2.5	2.2	8	43	13.9	5.1	2.5	123	8.0	2.5	1.8	225	4.6	1.7	1.5
				14	113	2.2	2.2	74	2.9	2.5	10	28	17.3	6.4	3.1	78	10.0	3.2	2.2	144	5.8	2.1	1.8
16	87	2.5	2.5	56	3.4	2.9	12	19	20.8	7.7	3.8	55	12.0	3.8	2.7	100	6.9	2.5	2.2				
	PAR38 90w 30° 300BHV433	30°	3500	8	55	4.3	4.3	36	5.9	5.0	4	27	6.9	10.9	4.3	77	4.0	4.6	3.0	142	2.3	2.9	2.5
				10	35	5.4	5.4	23	7.3	6.2	6	12	10.4	16.4	6.4	34	6.0	6.9	4.5	63	3.5	4.4	3.7
				12	24	6.4	6.4	16	8.8	7.4	8	7	13.9	21.9	8.6	19	8.0	9.2	6.1	36	4.6	5.9	5.0
				14	18	7.5	7.5	12	10.2	8.7	10	4	17.3	27.3	10.7	12	10.0	11.5	7.6	23	5.8	7.3	6.2
16	14	8.6	8.6	9	11.7	9.9	12	3	20.8	32.8	12.9	9	12.0	13.9	9.1	16	6.9	8.8	7.4				
	PAR38 90w 50° 300BHV434	50°	1600	8	25	7.5	7.5	16	10.7	8.7	4	13	6.9	42.9	7.5	35	4.0	9.5	5.3	65	2.3	5.4	4.3
				10	16	9.3	9.3	10	13.4	10.7	6	6	10.4	64.4	11.2	16	6.0	14.3	7.9	29	3.5	8.0	6.5
				12	11	11.2	11.2	7	16.1	12.9	8	3	13.9	85.8	14.9	9	8.0	19.1	10.6	16	4.6	10.7	8.6
				14	8	13.1	13.1	5	18.8	15.1	10	2	17.3	107.3	18.7	6	10.0	23.8	13.2	10	5.8	13.4	10.8
16	6	14.9	14.9	4	21.5	17.2	12	1	20.8	128.8	22.4	4	12.0	28.6	15.8	7	6.9	16.1	12.9				
	PAR38 120w 10° 300BHV435	10°	22500	8	352	1.4	1.4	228	1.9	1.6	4	176	6.9	2.9	1.4	497	4.0	1.4	1.0	913	2.3	0.9	0.8
				10	225	1.7	1.7	146	2.3	2.0	6	78	10.4	4.3	2.1	221	6.0	2.1	1.5	406	3.5	1.4	1.2
				12	156	2.1	2.1	101	2.8	2.4	8	44	13.9	5.7	2.8	124	8.0	2.8	2.0	228	4.6	1.9	1.6
				14	115	2.4	2.4	75	3.3	2.8	10	28	17.3	7.2	3.5	80	10.0	3.5	2.5	146	5.8	2.3	2.0
16	88	2.8	2.8	57	3.7	3.2	12	20	20.8	8.6	4.2	55	12.0	4.2	3.0	101	6.9	2.8	2.4				
	PAR38 120w 30° 300BHV436	30°	4600	8	72	4.3	4.3	47	5.9	5.0	4	36	6.9	10.9	4.3	102	4.0	4.6	3.0	187	2.3	2.9	2.5
				10	46	5.4	5.4	30	7.3	6.2	6	16	10.4	16.4	6.4	45	6.0	6.9	4.5	83	3.5	4.4	3.7
				12	32	6.4	6.4	21	8.8	7.4	8	9	13.9	21.9	8.6	25	8.0	9.2	6.1	47	4.6	5.9	5.0
				14	23	7.5	7.5	15	10.2	8.7	10	6	17.3	27.3	10.7	16	10.0	11.5	7.6	30	5.8	7.3	6.2
16	18	8.6	8.6	12	11.7	9.9	12	4	20.8	32.8	12.9	11	12.0	13.9	9.1	21	6.9	8.8	7.4				
	PAR38 120w 55° 300BHV437	55°	2000	8	31	8.3	8.3	20	12.2	9.6	4	16	6.9	89.1	8.3	44	4.0	11.4	5.9	81	2.3	6.1	4.8
				10	20	10.4	10.4	13	15.3	12.0	6	7	10.4	133.6	12.5	20	6.0	17.1	8.8	36	3.5	9.2	7.2
				12	14	12.5	12.5	9	18.3	14.4	8	4	13.9	178.1	16.7	11	8.0	22.9	11.8	20	4.6	12.2	9.6
				14	10	14.6	14.6	7	21.4	16.9	10	3	17.3	222.7	20.8	7	10.0	28.6	14.7	13	5.8	15.3	12.0
16	8	16.7	16.7	5	24.4	19.3	12	2	20.8	267.2	25.0	5	12.0	34.3	17.7	9	6.9	18.3	14.4				


PHOTOMETRICS

Fixture Usage	Distance From Wall/ Lamp Type/Part Number	Distance From Ceiling	FC On Wall For Single Fixture Performance					FC On Wall For Multiple Fixture Performance								
			0'	1'	2'	3'	4'	4'			5'			6'		
Wall Washer Lamps																
Gamma	20 T4.5 CMH 	1'	34	33	19	10	4	43	39	43	39	29	39	37	20	37
		2'	39	38	22	11	7	53	49	53	47	33	47	43	23	43
		3'	31	30	21	10	6	44	47	44	39	32	39	36	22	36
		4'	21	20	16	10	5	32	36	32	28	28	28	26	21	26
		5'	13	12	10	8	4	22	24	22	18	21	18	16	17	16
		6'	7	7	7	5	4	15	16	15	12	14	12	11	12	11
		7'	4	4	4	3	3	10	10	10	9	9	9	7	8	7
		8'	3	3	3	2	2	7	7	7	6	6	6	5	6	5
		9'	2	2	2	2	2	6	6	6	5	5	5	5	5	5
		10'	2	2	2	2	1	5	5	5	4	4	4	4	4	4
		1'	19	18	13	9	5	29	29	29	24	23	24	22	18	22
		2'	22	23	17	10	6	36	38	36	31	28	31	28	21	28
		3'	21	22	17	11	7	36	41	36	31	32	31	28	24	28
		4'	18	18	15	10	6	32	37	32	27	30	27	24	23	24
		5'	13	13	12	9	6	27	29	27	21	24	21	19	20	19
		6'	9	9	9	7	5	22	21	22	17	18	17	14	16	14
		7'	7	6	6	5	4	16	16	16	13	14	13	11	12	11
		8'	4	4	4	4	3	12	12	12	10	10	10	9	9	9
		9'	3	3	3	3	2	9	9	9	8	8	8	7	7	7
		10'	2	2	2	2	2	7	7	7	6	6	6	5	5	5
Gamma	39 T4.5 CMH 	1'	68	65	37	19	8	86	78	86	77	57	77	74	40	74
		2'	78	75	44	22	13	105	97	105	93	65	93	86	46	86
		3'	61	60	42	20	12	88	94	88	78	63	78	72	43	72
		4'	41	39	32	19	9	63	72	63	55	56	55	51	41	51
		5'	25	24	20	15	8	44	48	44	35	41	35	32	33	32
		6'	14	14	13	10	7	30	32	30	24	27	24	21	23	21
		7'	8	8	7	6	5	20	20	20	17	18	17	14	16	14
		8'	5	5	5	4	4	14	14	14	12	12	12	10	11	10
		9'	3	3	3	3	3	11	11	11	10	10	10	9	9	9
		10'	3	3	3	3	2	9	9	9	8	8	8	8	8	8
		1'	37	36	26	17	9	58	58	58	48	46	48	44	36	44
		2'	44	46	33	19	12	72	75	72	62	56	62	55	42	55
		3'	42	43	34	21	13	72	81	72	62	63	62	56	47	56
		4'	35	35	30	20	12	64	73	64	53	59	53	48	45	48
		5'	26	25	23	17	11	53	57	53	42	48	42	37	39	37
		6'	18	18	17	14	10	43	42	43	33	36	33	28	31	28
		7'	13	12	11	10	8	32	31	32	26	27	26	21	24	21
		8'	8	8	8	7	6	24	23	24	20	20	20	17	18	17
		9'	6	5	5	5	4	17	17	17	15	15	15	13	13	13
		10'	4	4	4	4	3	13	13	13	12	12	12	10	10	10
Gamma	70 T4.5 CMH 	1'	124	118	67	35	15	157	142	157	140	104	140	135	73	135
		2'	142	137	80	40	24	191	177	191	169	118	169	157	84	157
		3'	111	109	76	36	22	160	171	160	142	115	142	131	78	131
		4'	75	71	58	35	16	115	131	115	100	102	100	93	75	93
		5'	46	44	36	27	15	80	87	80	64	75	64	58	60	58
		6'	25	25	24	18	13	55	58	55	44	49	44	38	42	38
		7'	15	15	13	11	9	36	36	36	31	33	31	25	29	25
		8'	9	9	9	7	7	25	25	25	22	22	22	18	20	18
		9'	5	5	5	5	5	20	20	20	18	18	18	16	16	16
		10'	5	5	5	5	4	16	16	16	15	15	15	15	15	15
		1'	67	66	47	31	16	106	106	106	87	84	87	80	66	80
		2'	80	84	60	35	22	131	137	131	113	102	113	100	76	100
		3'	76	78	62	38	24	131	147	131	113	115	113	102	86	102
		4'	64	64	55	36	22	116	133	116	96	107	96	87	82	87
		5'	47	46	42	31	20	96	104	96	76	87	76	67	71	67
		6'	33	33	31	25	18	78	76	78	60	66	60	51	56	51
		7'	24	22	20	18	15	58	56	58	47	49	47	38	44	38
		8'	15	15	15	13	11	44	42	44	36	36	36	31	33	31
		9'	11	9	9	9	7	31	31	31	27	27	27	24	24	24
		10'	7	7	7	7	5	24	24	24	22	22	22	18	18	18
Gamma	100 T3 R7s Halogen 	1'	35	33	18	9	4	44	39	44	39	28	39	38	19	38
		2'	43	39	23	11	6	56	49	56	50	33	50	47	23	47
		3'	33	32	22	10	6	45	48	45	40	33	40	38	22	38
		4'	22	21	16	9	5	33	37	33	28	28	28	26	21	26
		5'	13	12	10	7	4	22	24	22	18	20	18	16	16	16
		6'	7	6	6	5	3	14	15	14	11	13	11	10	11	10
		7'	4	3	3	3	2	9	9	9	7	8	7	6	7	6
		8'	2	2	2	2	2	7	7	7	6	6	6	5	5	5
		9'	2	2	2	1	1	5	5	5	5	5	5	4	4	4
		10'	1	1	1	1	1	4	4	4	4	4	4	4	4	4
		1'	18	18	13	8	4	28	28	28	23	22	23	21	17	21
		2'	24	24	16	10	6	38	38	38	32	28	32	29	22	29
		3'	24	23	18	11	6	38	41	38	33	32	33	30	24	30
		4'	19	19	16	10	6	33	37	33	27	30	27	25	23	25
		5'	14	13	12	9	6	27	29	27	22	24	22	19	20	19
		6'	10	9	9	7	5	21	22	21	17	18	17	14	16	14
		7'	6	6	6	5	4	16	15	16	13	13	13	11	12	11
		8'	4	4	4	4	3	11	11	11	9	9	9	8	9	8
		9'	2	2	2	2	2	8	8	8	7	7	7	6	6	6
		10'	2	2	2	2	2	6	6	6	5	5	5	5	5	5


COMPUTER #	DESCRIPTION	VOLTS	WATTS	LAMP SHAPE	BASE TYPE	BEAM SPREAD	COLOR TEMP (K)	CRI	CENTER BEAM CANDLE POWER	INITIAL LUMENS	RATED AVG LIFE
------------	-------------	-------	-------	------------	-----------	-------------	----------------	-----	--------------------------	----------------	----------------

Line-Voltage Incandescent Lamps


G9 Bi-Pin

	300BHV361	120v Hal G9 bi-pin T4 40w Fr.	120	40	T4	G9 Bi-Pin	NA	2900	100	NA	480	2,000
---	------------------	-------------------------------	-----	----	----	-----------	----	------	-----	----	-----	-------

PAR16 GU10 Halogen

	300BHV411	120v Hal PAR16 GU10 40° 50w	120	50	PAR16	GU10	40	2950	100	800	650	2,000
---	------------------	-----------------------------	-----	----	-------	------	----	------	-----	-----	-----	-------

PAR20 Halogen

	300BHV412	120v Hal PAR20 E26 Med 10° 35w	120	35	PAR20	E26 Med	10	2950	100	3,000	360	2,500
	300BHV413	120v Hal PAR20 E26 Med 30° 35w	120	35	PAR20	E26 Med	30	2950	100	800	360	2,500
	300BHV414	120v Hal PAR20 E26 Med 40° 35w	120	35	PAR20	E26 Med	40	2950	100	500	360	2,500
	300BHV415	120v Hal PAR20 E26 Med 10° 50w	120	50	PAR20	E26 Med	10	2950	100	4,600	550	2,500
	300BHV416	120v Hal PAR20 E26 Med 30° 50w	120	50	PAR20	E26 Med	30	2950	100	1,200	550	2,500
	300BHV417	120v Hal PAR20 E26 Med 40° 50w	120	50	PAR20	E26 Med	40	2950	100	900	550	2,500

PAR30 Short Halogen

	300BHV418	120v Hal PAR30 E26 Med 9° 50w	120	50	PAR30	E26 Med	9	2950	100	8,800	660	2,500
	300BHV419	120v Hal PAR30 E26 Med 25° 50w	120	50	PAR30	E26 Med	25	2950	100	2,300	660	2,500
	300BHV420	120v Hal PAR30 E26 Med 40° 50w	120	50	PAR30	E26 Med	40	2950	100	1,300	660	2,500
	300BHV421	120v Hal PAR30 E26 Med 9° 75w	120	75	PAR30	E26 Med	9	2950	100	15,400	1,130	2,500
	300BHV422	120v Hal PAR30 E26 Med 25° 75w	120	75	PAR30	E26 Med	25	2950	100	4,000	1,130	2,500
	300BHV423	120v Hal PAR30 E26 Med 40° 75w	120	75	PAR30	E26 Med	40	2950	100	2,100	1,130	2,500

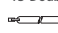
PAR30 Long Halogen

	300BHV424	120v Hal PAR30L E26 Med 9° 50w	120	50	PAR30LN	E26 Med	9	2950	100	8,800	660	2,500
	300BHV425	120v Hal PAR30L E26 Med 25° 50w	120	50	PAR30LN	E26 Med	25	2950	100	2,300	660	2,500
	300BHV426	120v Hal PAR30L E26 Med 50° 50w	120	50	PAR30LN	E26 Med	50	2950	100	900	660	2,500
	300BHV427	120v Hal PAR30L E26 Med 9° 75w	120	75	PAR30LN	E26 Med	9	2950	100	15,400	1,130	2,500
	300BHV428	120v Hal PAR30L E26 Med 25° 75w	120	75	PAR30LN	E26 Med	25	2950	100	4,000	1,130	2,500
	300BHV429	120v Hal PAR30L E26 Med 50° 75w	120	75	PAR30LN	E26 Med	50	2950	100	1,100	1,130	2,500


PAR38 Halogen

	300BHV430	120v Hal PAR38 E26 Med 9° 60w	120	60	PAR38	E26 Med	9	2950	100	16,000	850	3,000
	300BHV431	120v Hal PAR38 E26 Med 30° 60w	120	60	PAR38	E26 Med	30	2950	100	2,500	850	3,000
	300BHV432	120v Hal PAR38 E26 Med 9° 90w	120	90	PAR38	E26 Med	9	2950	100	22,200	1,310	2,500
	300BHV433	120v Hal PAR38 E26 Med 30° 90w	120	90	PAR38	E26 Med	30	2950	100	3,500	1,310	2,500
	300BHV434	120v Hal PAR38 E26 Med 50° 90w	120	90	PAR38	E26 Med	50	2950	100	1,600	1,310	2,500
	300BHV435	120v Hal PAR38 E26 Med 10° 120w	120	120	PAR38	E26 Med	10	2950	100	22,500	1,800	3,000
	300BHV436	120v Hal PAR38 E26 Med 30° 120w	120	120	PAR38	E26 Med	30	2950	100	4,600	1,800	3,000
	300BHV437	120v Hal PAR38 E26 Med 55° 120w	120	120	PAR38	E26 Med	55	2950	100	2,000	1,800	3,000


T3 Double Ended Halogen

	300BHV438	120v Hal T3 RSC 100w 3.125"	120	100	T3	RSC	na	2950	100	na	1,650	2,000
---	------------------	-----------------------------	-----	-----	----	-----	----	------	-----	----	-------	-------


Mini-Candelabra Krypton/Halogen

	300BHV155	130v T3 E11 Mini-can. 20w Cl. Kry	130	20	T3	E11 Mini-Cand.	na	2700	100	na	200	2,000
	300BHV153	120v T3 E11 Mini-can. 40w Cl. Kry	120	40	T3	E11 Mini-Cand.	na	2800	100	na	560	2,000
	300BHV439	120v T4 E11 Mini-can. 60w Cl. Kry	120	60	T4	E11 Mini-Cand.	na	2800	100	na	960	2,000
	300BHV150	120v T4 E11 Mini-can. 75w Cl. Hal	120	75	T4	E11 Mini-Cand.	na	2800	100	na	1,125	1,000







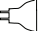
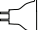


Medium Globe

	300BHV122	120v G40 Med 150w Wh.	120	150	G40	Med	na	2700	100	na	1,770	2,500
---	------------------	-----------------------	-----	-----	-----	-----	----	------	-----	----	-------	-------

A-Lamp

	300BHV109	120v A19 E26 Med 75w Fr.	120	75	A19	E26 Med	na	2700	100	na	700	750
	300BHV111	120v A19 E26 Med 100w Fr.	120	100	A19	E26 Med	na	2700	100	na	980	750
	300BHV392	120v A21 E26 Med 150w Fr.	120	150	A21	E26 Med	na	2700	100	na	2,780	750

LAMP INFORMATION

COMPUTER #	DESCRIPTION	VOLTS	WATTS	LAMP SHAPE	BASE TYPE	BEAM SPREAD	COLOR TEMP (K)	CRI	CENTER BEAM CANDLE POWER	INITIAL LUMENS	RATED AVG LIFE	
Fluorescent Lamps												
Compact Fluorescent												
	300BHV371	Flr. Gx24Q-2 Triple 18w	na	18	CFL Triple	GX24Q-2	na	2700	82	na	1,200	12,000
	300BHV378	Flr. Gx24Q-3 Triple 26w	na	26	CFL Triple	GX24Q-3	na	2700	82	na	1,800	12,000
	300BHV386	Flr. Gx24Q-3 Triple 32w	na	32	CFL Triple	GX24Q-3	na	2700	82	na	2,328	12,000
Compact Fluorescent GU24 Self-Ballasted												
	300BHV450	120v Flr Self-Ballasted GU24 Spiral 13w	120	13	CFL Spiral	GU24	na	2700	82	na	900	10,000
	300BHV451	120v Flr Self-Ballasted GU24 Spiral 18w	120	18	CFL Spiral	GU24	na	2700	82	na	1,200	10,000
High Intensity Discharge Lamps (CERAMIC METAL HALIDE)												
CMH T4.5												
	300BHV401	CMH T4.5 Bi-Pin 20w	120	20	T4.5	Bi-Pin G8.5	na	3000	>80	na	1,700	6,000
	300BHV402	CMH T4.5 Bi-Pin 39w	120	39	T4.5	Bi-Pin G8.5	na	3000	>80	na	3,400	9,000
	300BHV403	CMH T4.5 Bi-Pin 70w	120	70	T4.5	Bi-Pin G8.5	na	3000	>80	na	6,200	9,000
CMH MR16 GE Constant Color												
	300BHV440	GE CMH MR16 GX10 12° 20w	120	20	MR16	GX10	12	3000	80	9,000	1,000	9,000
	300BHV441	GE CMH MR16 GX10 25° 20w	120	20	MR16	GX10	25	3000	80	2,900	1,000	9,000
	300BHV442	GE CMH MR16 GX10 40° 20w	120	20	MR16	GX10	40	3000	80	1,500	1,000	9,000
CMH PAR20												
	300BHV410	CMH PAR20 Medium 10° 39w	120	39	PAR20	Medium	10	3000	>85	22,000	2,100	10,000
	300BHV409	CMH PAR20 Medium 25° 39w	120	39	PAR20	Medium	25	3000	>85	7,500	2,100	10,000
CMH PAR30 Long												
	300BHV406	CMH PAR30L Medium 10° 39w	120	39	PAR30L	Medium	10	3000	>80	39,600	2,400	10,000
	300BHV405	CMH PAR30L Medium 25° 39w	120	39	PAR30L	Medium	25	3000	>80	11,000	2,400	10,000
	300BHV407	CMH PAR30L Medium 15° 70w	120	70	PAR30L	Medium	15	3000	>80	43,000	4,700	10,000
	300BHV408	CMH PAR30L Medium 40° 70w	120	70	PAR30L	Medium	40	3000	>80	10,000	4,700	10,000
12 Volt incandescent lamps												
12 Volt MR16												
	300BLV129	12v Hal MR16 GU5.3 12° 20w	12	20	MR16	GU5.3	12	2950	100	3,500	na	5,000
	300BLV128	12v Hal MR16 GU5.3 36° 20w	12	20	MR16	GU5.3	36	2950	100	600	na	5,000
	300BLV102	12v Hal MR16 GU5.3 24° 35w	12	35	MR16	GU5.3	24	2950	100	2,300	na	5,000
	300BLV105	12v Hal MR16 GU5.3 36° 35w	12	35	MR16	GU5.3	36	2950	100	1,300	na	5,000
	300BLV132	12v Hal MR16 GU5.3 12° 50w	12	50	MR16	GU5.3	12	3000	100	11,000	na	5,000
	300BLV133	12v Hal MR16 GU5.3 24° 50w	12	50	MR16	GU5.3	24	3000	100	3,600	na	5,000
	300BLV131	12v Hal MR16 GU5.3 36° 50w	12	50	MR16	GU5.3	36	3000	100	2,000	na	5,000
	300BLV110	12v Hal MR16 GU5.3 60° 50w	12	50	MR16	GU5.3	60	3000	100	850	na	5,000
12 Volt MR16 GE Constant Color												
	300BLV130	12v GE CC. Hal MR16 GU5.3 15° 20w	12	20	MR16	GU5.3	15	2900	100	3,150	na	5,000
	300BLV127	12v GE CC. Hal MR16 GU5.3 40° 20w	12	20	MR16	GU5.3	40	2900	100	475	na	5,000
	300BLV124	12v GE CC. Hal MR16 GU5.3 20° 35w	12	35	MR16	GU5.3	20	3000	100	3,200	na	5,000
	300BLV126	12v GE CC. Hal MR16 GU5.3 40° 35w	12	35	MR16	GU5.3	40	3000	100	900	na	5,000
	300BLV141	12v GE CC. Hal MR16 GU5.3 15° 50w	12	50	MR16	GU5.3	15	3050	100	8,400	na	6,000
	300BLV138	12v GE CC. Hal MR16 GU5.3 25° 50w	12	50	MR16	GU5.3	25	3050	100	2,900	na	6,000
	300BLV139	12v GE CC. Hal MR16 GU5.3 40° 50w	12	50	MR16	GU5.3	40	3050	100	1,500	na	6,000
	300BLV136	12v GE CC. Hal MR16 GU5.3 55° 50w	12	50	MR16	GU5.3	55	3050	100	850	na	6,000
12 Volt MR16 Sylvania IR												
	300BLV254	12v Sylvania IR MR16 GU5.3 10° 37w	12	37	MR16	GU5.3	10	3000	100	12,500	na	5,000
	300BLV255	12v Sylvania IR MR16 GU5.3 25° 37w	12	37	MR16	GU5.3	25	3000	100	4,400	na	5,000
	300BLV256	12v Sylvania IR MR16 GU5.3 35° 37w	12	37	MR16	GU5.3	35	3000	100	2,200	na	5,000
12 Volt MR16 Ushio 10,000 Hour												
	300BLV411	12v Ushio MR16 GU5.3 24° 50w	12	50	MR16	GU5.3	24	3100	100	2,700	na	10,000
	300BLV410	12v Ushio MR16 GU5.3 36° 50w	12	50	MR16	GU5.3	36	3100	100	1,500	na	10,000

Tech Lighting reserves the right to discontinue or to change the technical specifications of its lamp offering at anytime without notice.

T~trak™ Hardware

4" Round Direct-End Power Feed Canopy	23
4" Round Power Feed Canopy with Connector	22
4" Round Power Feed Canopy with X/T/L Connector.....	22
4" Round Power Feed Canopy without Connector	22
Adjustable Standoff with Connector.....	24
Adjustable Standoff without Connector	24
End Cap	21
Flexible Connector.....	21
Flexible Power Feed with 4" Round Canopy	23
Power Outside Rigger with Connector	25
Power Vault Adapter	24
Pre-Bent 90° Curve T~Trak	20
Pre-Bent S-Curve T~Trak	20
Rigid Standoff with Connector	21
Rigid Standoff with X/T/L Connector.....	24
Rigid Standoff without Connector	21
Standoff Vault Adapter	24
Support Outside Rigger with Connector	25
Support Outside Rigger without Connector	25
T~trak	20
T~trak FreeJack Connector	18
T-Bar Connector.....	25

StraightLine Hardware

Conductive Connector.....	36
End Cap	36
Flexible Connector.....	36
L Connector	36
Power Feed Canopy with Connector.....	37
Power Feed Canopy with End Feed.....	37
Power Feed Canopy with L Connector	37
Power Feed Canopy with T Connector	37
Power Feed Canopy with X Connector	37
Power Feed Canopy without Connector	37
StraightLine FreeJack Connector	34
StraightLine Track	36
T Connector	36
X Connector.....	36

Power Jack Hardware

Power Jack Canopy	42
Power Jack Canopy with CMH Ballast	43

Architectural Heads

Aero with Incandescent PAR	46
Breeze with Ceramic Metal Halide PAR	47
Breeze with Ceramic Metal Halide T4	48
Breeze with Incandescent PAR	50
Gamma with Ceramic Metal Halide T4	52
Gamma with Double End Halogen	54
Om with Ceramic Metal Halide MR16	56
Om with Ceramic Metal Halide PAR	57
Om with Ceramic Metal Halide T4	58
Om with Incandescent PAR	61
Om with Low-Voltage MR16.....	60
Pod with Incandescent PAR.....	63
Soma with Ceramic Metal Halide PAR	64

Sportster with Ceramic Metal Halide PAR.....	66
Sportster with Incandescent PAR	67
Spot with Ceramic Metal Halide PAR	70
Spot with Incandescent PAR	71
Tweak with Ceramic Metal Halide PAR.....	74
Tweak with Incandescent PAR	75

Accessories and Optical Controls

Colored & Dichroic Lenses	77
Cone Glass Accessory	46
Diffuser, Spread & Soft Focus Lenses.....	77
Eggcrate Louver	77
PAR Louver Lens Holder.....	74, 75
Round Glass Accessory	46
Sportster Louver Lens Holder.....	66, 67
Tinkerbell Accessory.....	46
UV Filters	77

Architectural Pendants

Delancey.....	84
Echo	92
Edge	92
Emerge.....	89
Hudson.....	93
Lexington	85
Madison	84
Melrose	87
Montana	89
Mulberry.....	85
Nest	94
Niko	91
Noir	96
Ovation.....	86
Ovation Iron Wrap Accessory.....	86
Palma	88
Powell Street	96
Scavo	97
Serengeti	97
Soda	94
Spirit.....	88
Starry Night	90
Suspense	93
Taza	90

FreeJack Heads	18, 34
-----------------------------	--------

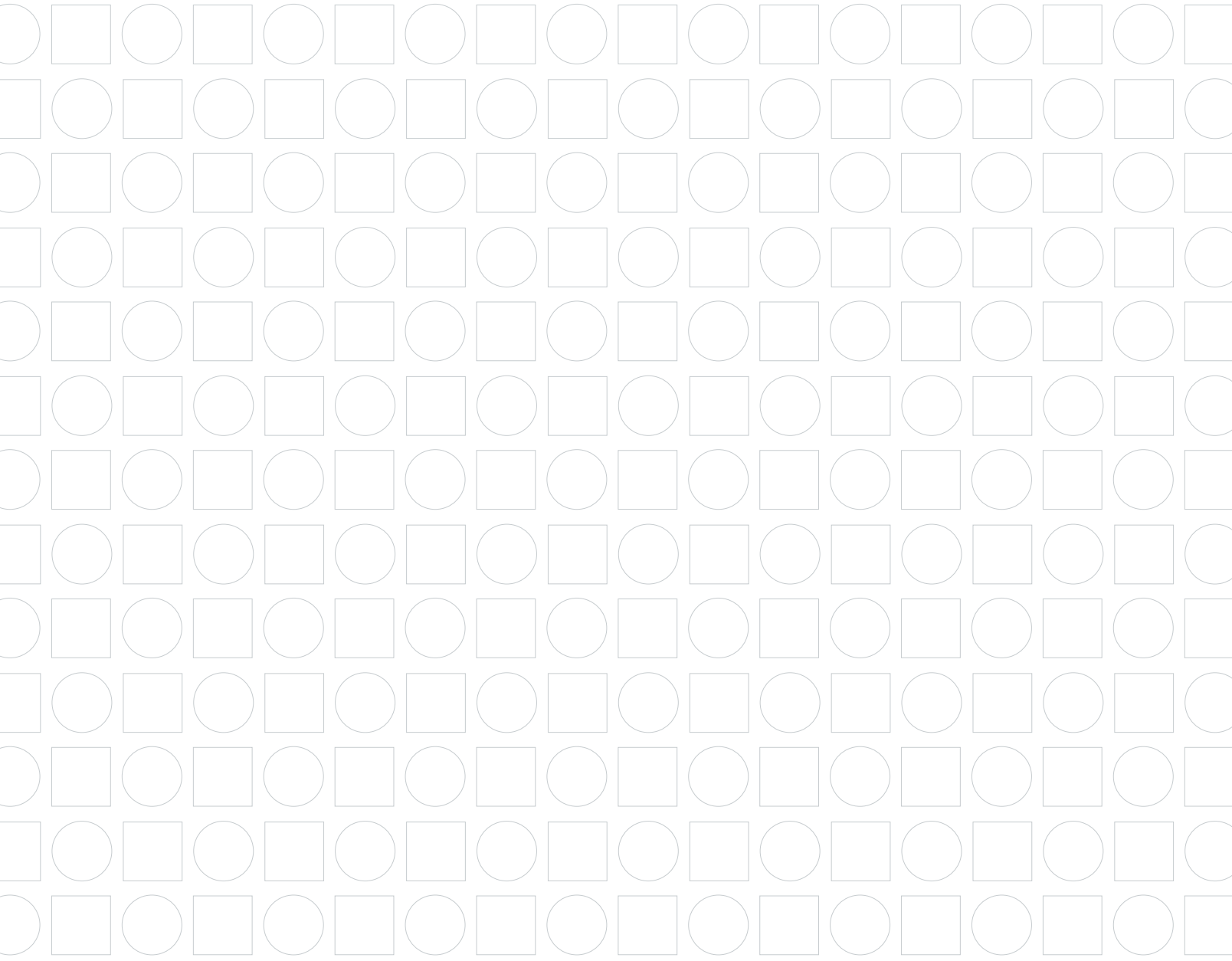
FreeJack Pendants	19, 35
--------------------------------	--------

Lamps	99-106
--------------------	--------

Application Shots

Breeze Inc PAR, Museum	51
Cone Pendants, Retail	81
Cube Pendants, Restaurant	83
Delancey Pendant, Restaurant	85
Emerge Pendants, Kitchen Display	82
Fab Pendants, Lobby	80
Lexington Pendant, Kitchen.....	91
Lexington Pendant, Restaurant	85
Madison Pendant, Dining Room	85

Montana Pendants, Retail	79
Nest Pendant, Kitchen	95
Niko Pendant, Kitchen	91
Om Heads CMH PAR, Ribbon Display	11
Om Inc PAR, Retail.....	79
Om Inc PAR with Ovation Pendants, Kitchen	2
Om Inc PAR, Bookcase	8
Om Inc PAR, Dining Room.....	98
Om Inc PAR, Lobby	28
Om Inc Par, Power Jack, Retail.....	41
Om Inc PAR, Residential	62
Ovation Pendants, Kitchen	2
Soma CMH PAR, Bakery	65
Sportster CMH PAR, Meat Counter	13
Sportster Inc PAR with Fab Pendants, Lobby.....	80
Sportster Inc PAR, Lobby	9
Sportster Inc PAR, Power Jack, Restaurant	40
Sportster Inc PAR, Restaurant	68
Sportster Inc PAR with Cube Pendants, Restaurant	83
Sportster Inc PAR, Retail	21
Sportster Inc PAR, Retail	29
Sportster Inc PAR, Retail	69
Sportster Inc PAR, Television Display.....	10
Spot Inc PAR with Cone Pendants, Retail	81
Spot Inc PAR, Gallery.....	12
Spot Inc PAR, Library	73
Spot Inc PAR, Restaurant.....	72
Spot Inc PAR, Retail	45
Tweak Inc PAR, Restaurant	76



T~trak™

a brand of **TECH LIGHTING®**

7400 Linder Ave.
Skokie, IL 60077

T 847 410 4400

F 847 410 4500

www.ttraklighting.com

921TFLCAT07.1

Product featured on cover: Om with Ceramic Metal Halide T4 with Frost Lens Ring



**GENERATION
BRANDS®**

